

Basler Accessories



Technical Specification BASLER LENS C23-1216-2M

Order Number

2200000179

Document Number: DG001912

Version: 01 Language: 000 (English)

Release Date: 17 January 2018

Contacting Basler Support Worldwide

Europe, Middle East, Africa

Basler AG
An der Strusbek 60–62
22926 Ahrensburg
Germany

Tel. +49 4102 463 515
Fax +49 4102 463 599

support.europe@baslerweb.com

The Americas

Basler, Inc.
855 Springdale Drive, Suite 203
Exton, PA 19341
USA

Tel. +1 610 280 0171
Fax +1 610 280 7608

support.usa@baslerweb.com

Asia-Pacific

Basler Asia Pte. Ltd.
35 Marsiling Industrial Estate Road 3
#05–06
Singapore 739257

Tel. +65 6367 1355
Fax +65 6367 1255

support.asia@baslerweb.com

www.baslerweb.com

All material in this publication is subject to change without notice and is copyright Basler AG.

Table of Contents

- 1 Key Features2**
- 2 Terms and Conventions3**
- 3 Mechanical Specifications and Environmental Requirements4**
- 4 Optical Specifications.....5**
- 5 Performance Charts.....6**
- Revision History7**

1 Key Features

Key Features	
<ul style="list-style-type: none">• Cost-effective 2 megapixel lens for machine vision / factory automation• Part of the Basler C23 lens series: 12, 16, 25, 35, and 50 mm focal length models available• Metal housing• C-Mount interface• Locking screws for iris and focus	
Optimum working distance	0.5 m
Aperture range	$f/1.6$ to $f/16$
Focal length	12 mm
Order number	2200000179

2 Terms and Conventions

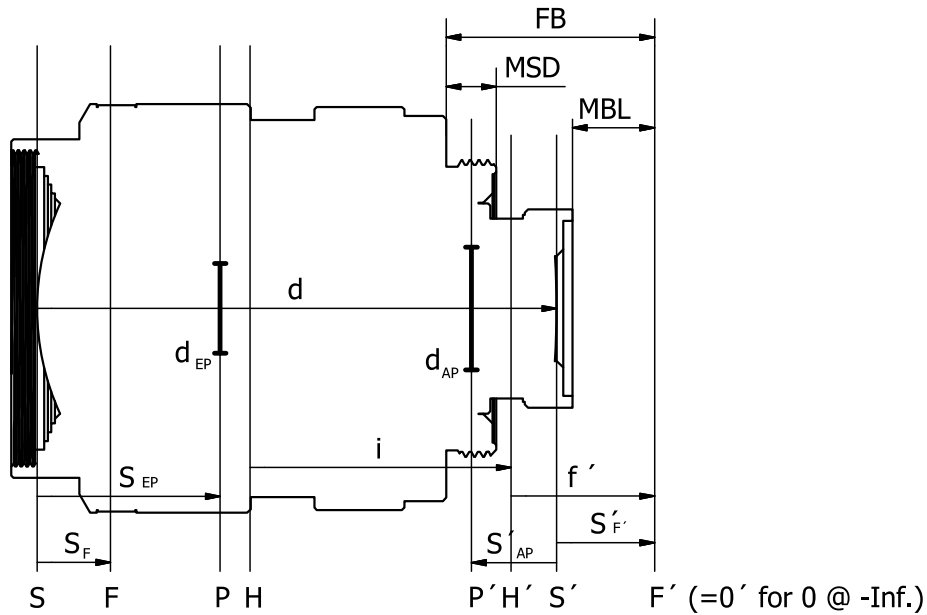


Figure 1: Terms for Lenses

Designations according to DIN 1335			
O	Object position	f' ($=H'F'$)	Focal length
O'	Image position	k ($=f'/d_{EP}$)	f-number (indicated as " f/k ")
H	Front principal plane	i ($=HH'$)	Principal point separation
H'	Back principal plane	s_F ($=SF$)	Front focal length
F	Front focal plane	$s'_{F'}$ ($=S'F'$)	Back focal length
F'	Back focal plane	s_{EP} ($=SP$)	Entrance pupil position
P	Entrance pupil plane	s'_{AP} ($=S'P'$)	Exit pupil position
P'	Exit pupil plane	d ($=SS'$)	Overall optical length
S	Vertex of first lens surface	d_{EP}	Entrance pupil diameter
S'	Vertex of last lens surface	d_{AP}	Exit pupil diameter
		β'_P ($=d_{AP}/d_{EP}$)	Pupil magnification
Other Designations			
FB	Flange back	MOD	Minimum object distance
MSD	Maximum screw-in depth	CRA	Chief ray angle
MBL	Mechanical back length	Inf.	Infinity
WD	Working distance	MTF	Modulation transfer function
		SFR	Spatial frequency response

3 Mechanical Specifications and Environmental Requirements

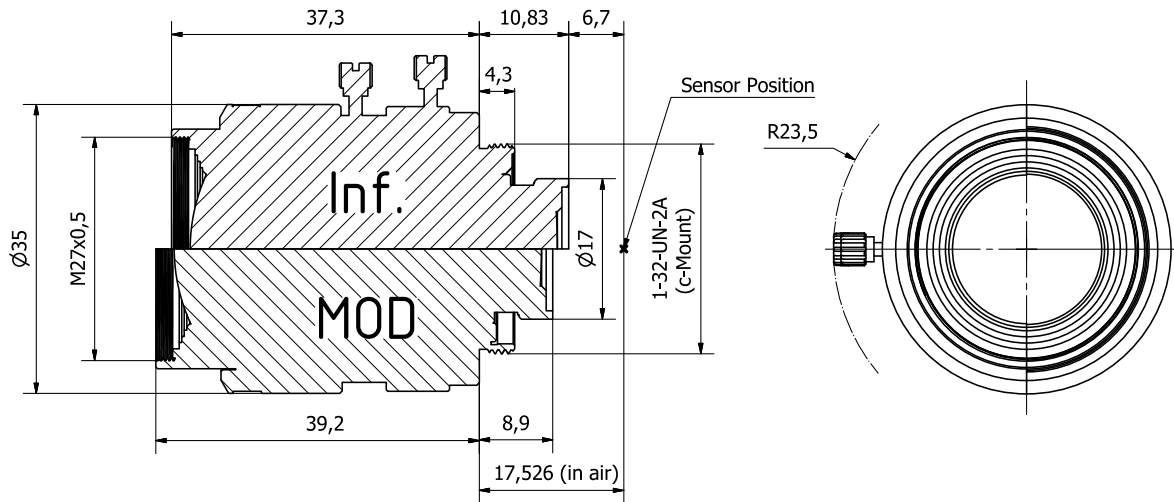


Figure 2: Mechanical Dimensions (in mm)

Mechanical Specifications	
Storage conditions	-20–70 °C, 20–70 % relative humidity, non-condensing
Environmental requirements	-10–60 °C, 20–80 % relative humidity, non-condensing (For best results, please focus when a steady operating temperature has been reached.)
Flange back	17.526 mm
Weight	Approx. 97 g
Focus operation	Manually Operating angle: 277°

4 Optical Specifications

Optical Specifications		
Focal length f'	12.3 mm \pm 5 %	
Aperture range	$f/1.6$ to $f/16$	
Image circle	11 mm (2/3" image format)	
Focus range	0.1 m to infinity	
Optimum working distance	0.5 m	
Optimum magnification	-0.024	
Relative illumination at full aperture	At least 65 % (see Figure 3 and *)	
Resolution (25 % MTF, center, full aperture)	Designed for 90 LP/mm (5.5 μ m pixel size, see Figure 5)	
Optical distortion	Typical -1.0 % (barrel distortion, see Figure 4)	
Angle of view, 1/1.8" format (using an IMX265 sensor)	horizontal	27.2° (@ MOD) to 30.4°
	vertical	21.0° (@ MOD) to 23.6°
Angle of view, 2/3" format (using a PYTHON 2000 sensor)	horizontal	33.7° (@ MOD) to 37.3°
	vertical	22.5° (@ MOD) to 25.3°
Wavelength range	Visible (400 to 700 nm)	
Pupil magnification β_P	1.37	
Chief ray angle, CRA	18.5°	
Front focal length, s_F	6.3 mm	
Back focal length, s'_F	8.4 mm	
Principal point separation, HH'	22.4 mm	
Entrance pupil position, s_{EP}	15.7 mm	
Exit pupil position, s'_{AP}	-7.3 mm	
Overall optical length, d	44.6 mm	

*Due to the large chief ray angle of this lens, the relative illumination on the peripheral regions might be lower for 2/3" image sensors.

5 Performance Charts

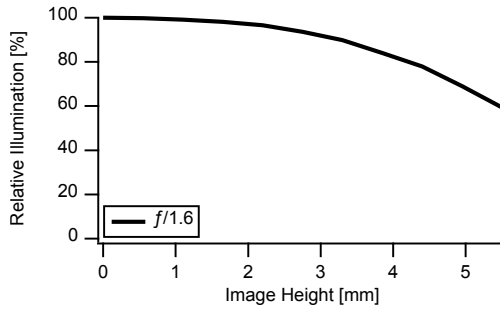


Figure 3: Simulated Relative Illumination vs. Image Height

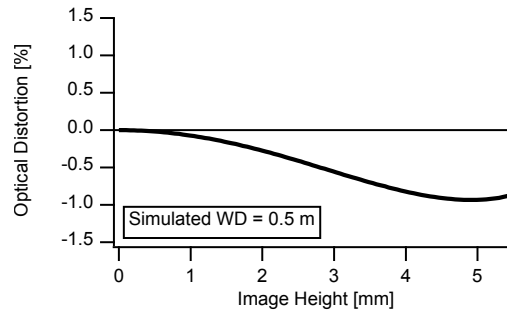


Figure 4: Simulated Distortion vs. Image Height

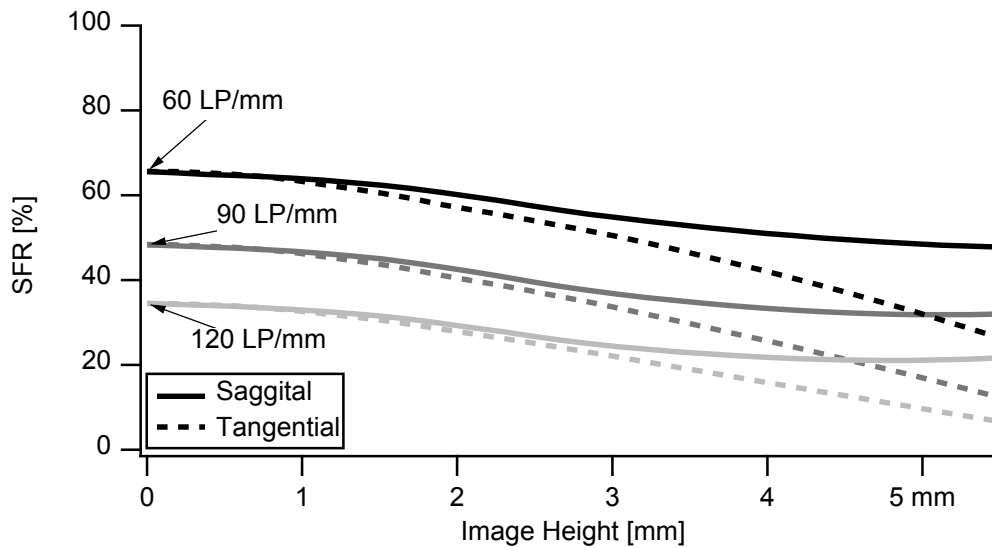


Figure 5: Measured Resolution vs. Image Height

Conditions for SFR measurements: $f/1.6$, polychromatic, WD 0.5 m, average result from 10 samples.

The technical data shown in chapters 1 to 5 are Nominal Design Values. The real values of the delivered products may deviate from the Nominal Design Values.

Revision History

Document Number	Date	Changes
DG00191201000	17 Jan 2018	Initial release of this document.