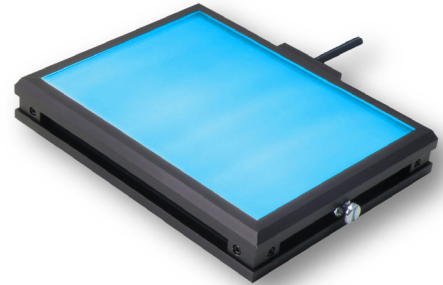




Expandable

Product Highlights

- Collimation greatly improves edge detection of curved objects
- Available in 1" increments; Sizes from 1" x 1" up to 16" x 16"

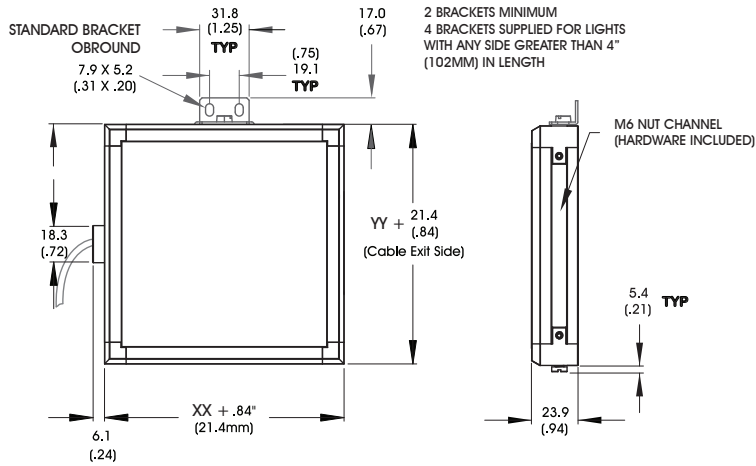


General Specifications

| Electrical Specifications | Color | 24v Current | All Other Controls |
|--|---|---------------------|--------------------------|
| | 660, 880 | 0.03 A per sq. inch | 0.018 A Max per sq. inch |
| | 470, 520, WHI | 0.02 A per sq. inch | 0.015 A Max per sq. inch |
| Normal Operating Temperature | 0 - 60°C | | |
| Weight (g) | 8" X 8" unit - 1292.74g (45.6oz) | | |
| Standard Cable Information | Up to 2 meters (80") long - 105°C rated PVC jacket, foil shield with drain. | | |
| Photobiological Risk Factor IEC 62471 | Exempt (No-Risk) Applicable Wavelengths: 880 Group 1 (Low-Risk) Applicable Wavelengths: 470, 520, 660, WHI | | |
| Compliance |  | | |
| IP Rating | IP50 | | |
| Lumen Maintenance | L70 = 50,000 hours | | |

CB 2D Expandable Series

Mechanical Specifications



YY = WIDTH IN 1" INCREMENTS FROM 1" TO 16"
 XX = HEIGHT IN 1" INCREMENTS FROM 1" TO 16"

DIMENSIONS ARE IN MILLIMETERS (INCHES)

Part Number Key

| Model | Height | Width (Cable Side) | — | Spectral Wavelength | Connector/ Control | — | Alternative Connector |
|--------------------------------------|---------------------------------|---------------------------------|---|--|---|---|-----------------------|
| CB | XX | YY | — | XXX | XX | — | XXX |
| CB | in 1" increments from 1" to 16" | in 1" increments from 1" to 16" | | (blue) 470 (green) 520 (red) 660 (infra-red) 880 (white) WHI | C1 C5 IC I3 I3S 24 | | M12 ¹ |
| Ex: CB0312-470C1 CB0608-660IC-M12 | | | | | ¹ Available with IC, I3, I3S and 24v | | |

Stock Product: *shipped within 3 days*
 CB0404-WHIIC

Build to Order: *shipped in two weeks*

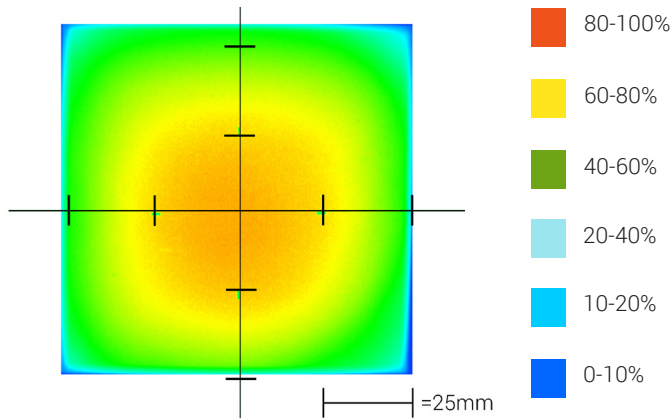
Connector | Control Options

| C1 Connector | C5 Connector | ICS 2 (IC) | ICS 3 (I3) | ICS 3S (I3S) | 24 |
|--|---|--|--|--|--|
| For use with: DCS Series Controllers | For use with: Pulsar 320 Strobe Controller. | Continous in-line controller Powered with: 24V power supply | Combination strobe/continous in-line controller Powered with: 24V power supply | Default-OFF strobe/continous in-line controller Powered with: 24V power supply | Flying/tinned leads Powered with: 24V power supply |

CB 2D Expandable Series

Optical Performance

Intensity Distribution



Optical measurement taken using CB0404-WHIIC

Area of Illuminance & Intensity

Working Area (FWHM)
@ Working Distance

Light Output

86 X 86 (mm)
@surface

Irradiance (W/M²): Min 40; Typ 47
Illuminance (kLux): Min 12.5; Typ 14.7

Operation and Wiring

ICS 2 (IC)

| Pin (M12) | Function | Wire Color |
|-----------|----------------------------|------------|
| 1 | +24 VDC | Brown |
| 2 | 0-10 VDC Analog Control | White |
| 3 | GND | Blue |
| 4 | GLO | Black |
| 5 | N/A | Gray |

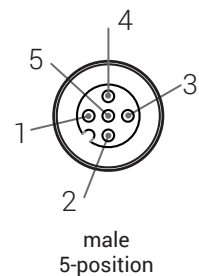
ICS 3 (I3 and I3S)

| Pin (M12) | Function | Wire Color |
|-----------|----------------------------|------------|
| 1 | +24 VDC | Brown |
| 2 | Reserved | White |
| 3 | GND | Blue |
| 4 | PNP/Active High Trigger | Black |
| 5 | 0-10 VDC Analog Control | Gray |

24 Volt

| Pin (M12) | Function | Wire Color |
|-----------|----------|------------|
| 1 | +24 VDC | Brown |
| 2 | N/A | White |
| 3 | -24 VDC | Blue |
| 4 | N/A | Black |
| 5 | N/A | Gray |

Optional M12 Pinout



CB 2D Expandable Series

Warranty Information

Every Advanced illumination, Inc. (Ai) product is thoroughly inspected and tested before leaving the factory. Products are warranted to be free of defects in workmanship and materials for a period of two years from the original date of purchase. Should a defect develop during this period, please contact Ai Customer Service or your Ai distributor for a Return Merchandise Authorization (RMA), and return the complete product, freight prepaid, to Ai. If a defect is found, Ai will - at our discretion - repair or replace the product without charge. Ai claims no liability for any implied warranties, including "merchantability" and "fitness for a specific purpose."

Electromagnetic Compatibility

This product was tested and complies with the regulatory requirements and limits for electromagnetic compatibility (EMC) as stated in the product specifications. These requirements and limits are designed to provide reasonable protection against harmful interference only when the product is operated in its intended industrial electromagnetic environment. To minimize the potential for electromagnetic interference or unacceptable performance degradation, install and use this product in strict accordance with the instructions in the product documentation.

Customer Service

For information on existing orders, or to make an order adjustment, contact us Monday through Friday 8:00 am to 5:00 pm, EST or send an email to orders@advill.com.

Company Information

Advanced Illumination

440 State Garage Road, Rochester VT. 05767

Phone: 802.767.3830

Fax: 802.767.3831

Email: info@advancedillumination.com

Web: advancedillumination.com

© 2015 Advanced Illumination Inc. All rights reserved