



# Distagon T\* 2/25



## Features

- Fast f/2.0 aperture
- Precise manual focusing
- Robust full-metal construction
- Identical color reproduction of all models
- For industrial cameras with F-Mount up to sensor sizes of 24x36 mm or 43mm line sensors.

### ZF-I: Industrial Edition

Features special screws to fix focus and aperture settings even in rough situations.

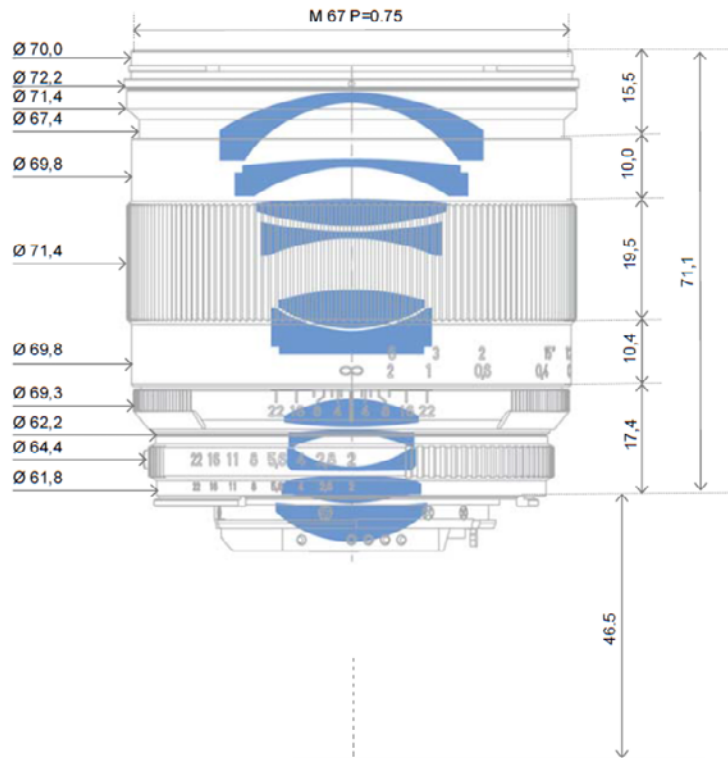
### Camera Mounts

Available for other camera mounts such as EF, or M42 screw mount.



# Distagon T\* 2/25

## Technical Specifications



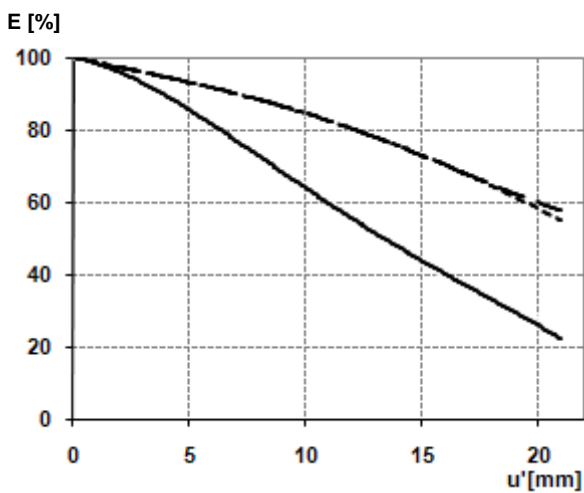
<b>Focal length</b>	25 mm
<b>Aperture range</b>	f/2 – f/22 (1/ 2 stop intervals)
<b>Number of elements / groups</b>	11 / 10
<b>Min. working distance (object to sensor)</b>	250 mm (0.83 ft.) – ∞
<b>Min. free working distance</b>	130 mm (0.43 ft.) – ∞
<b>Angular field* (diag. / horiz. / vert.)</b>	81 / 71 / 21°
<b>Max. diameter of image field</b>	43 mm (1.7")
<b>Flange focal length</b>	F-Mount: 46.5 mm (1.8"); M42-Mount: 45,5 mm
<b>Coverage at close range</b>	219 x 144 mm (8.6 x 5.6"), line 253 mm (9.9")
<b>Image ratio at close range</b>	1:5.9
<b>Filter-thread</b>	M 67 x 0.75
<b>Weight</b>	570 g (1.26 lbs.)
<b>Camera mount</b>	F bayonet, M42, EF

\* referring to 35 mm format



# Distagon T\* 2/25

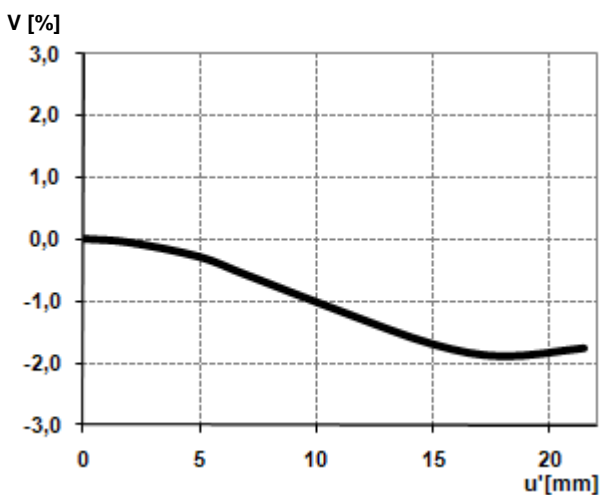
## Relative Illuminance\*



The relative illumination shows the decrease in image brightness from the image center to the edge in percent.

— f-number = 2.0  
... f-number = 4.0  
--- f-number = 5.6

## Relative Distortion\*



The relative distortion shows the deviation of the actual image height from the ideal one in percent.

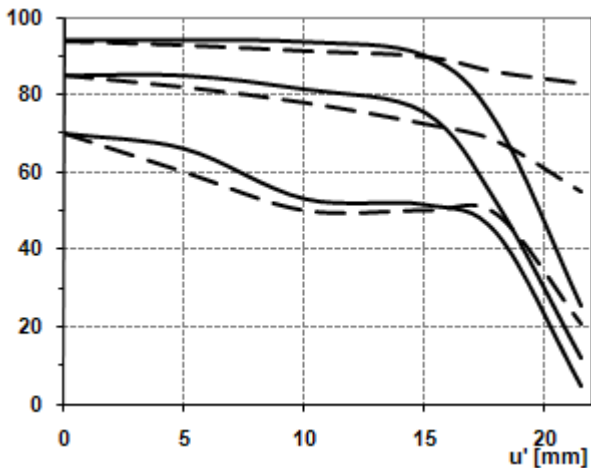
\*Data for infinite focus setting



# Distagon T\* 2/25

## MTF Charts\*

MTF [%]

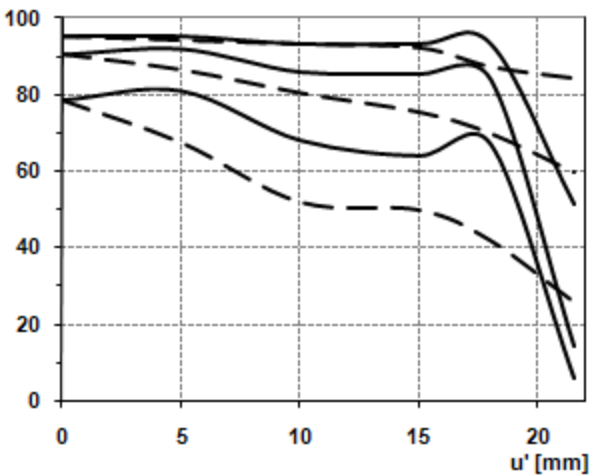


The Modulation Transfer (MTF) as a function of image height ( $u$ ) and slit orientation (sagittal, tangential) has been measured with white light at spatial frequencies of  $R = 10, 20$  and  $40$  cycles/mm.

f-number = 2.0

— Sagittal  
... Tangential

MTF [%]



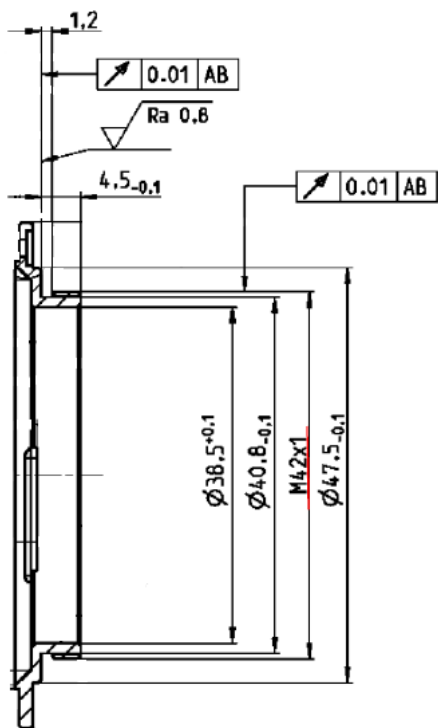
f-number = 4.0

— Sagittal  
... Tangential

*\*Data for infinite focus setting*



# Distagon T\* 2/25



M42 Mount for 45,5 mm Flange Focal Distance

*The diameter of the camera/lens adapter must not exceed 55 mm at the lens side!*