



ZEISS Interlock Compact 2/35



Features

- Very compact but suitable to large image format
- For industrial cameras up to sensor sizes of 24x36 mm or 41mm line sensors
- Fast f/2.0 aperture
- Precise manual focusing
- Robust full-metal construction
- Features special screws to fix focus and aperture settings even in rough situations
- Due to light weight resistant against vibrations and shocks
- Literally free of distortion

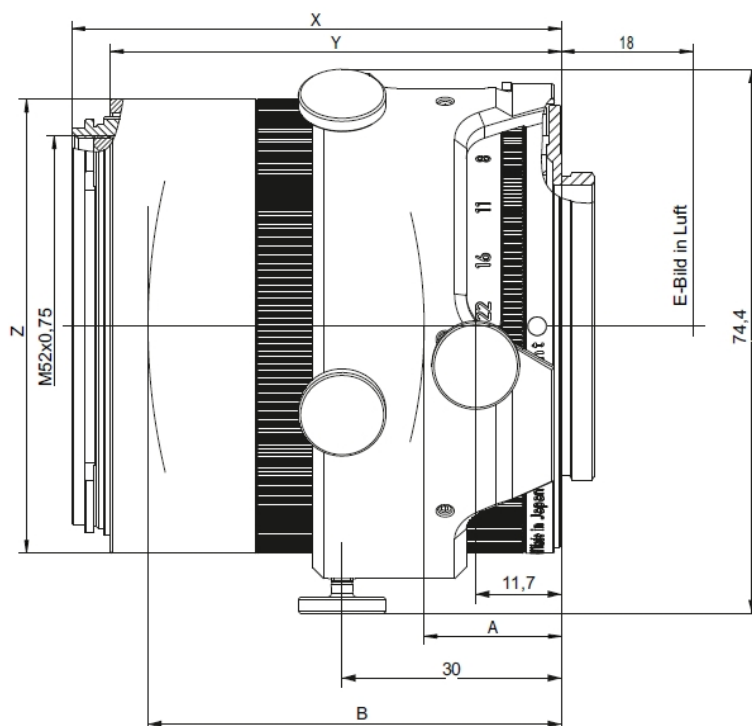
Camera Mount

M42x1 screw mount
(18 mm FFD)



ZEISS Interlock Compact 2/35

Technical Specifications



X	Y	Z	A	B
53.98 mm (inf.)	49.4 mm	Ø = 62.0 mm	2.66 mm (inf.)	50.37 mm (inf.)

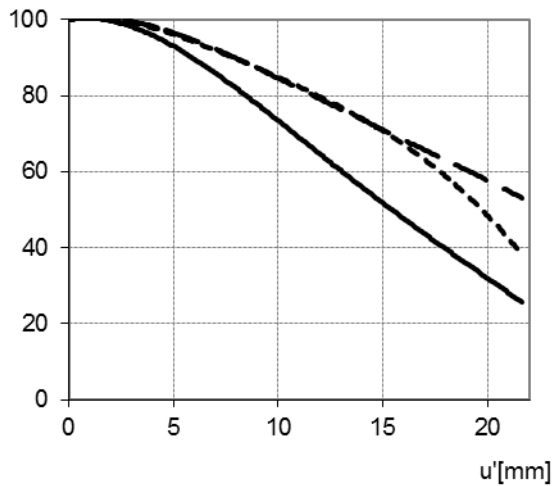
Focal length	35 mm
Aperture range	f/2.0 – f/22
Number of elements / groups	9 / 6
Min. working distance (object to sensor)	300 mm (0.98 ft.) – ∞
Min. free working distance	230 mm (0.75 ft.) – ∞
Angular field* (diag. / horiz. / vert.)	63 / 54 / 38°
Max. diameter of image field	43.0 mm (1.7")
Flange focal length	18.0 mm
Coverage at close range	208 x 139 mm (8.2 x 5.5"), line 237 mm (9.3")
Image ratio at close range	1:5.8
Filter-thread	M 52 x 0.75
Weight	394 g (0.87 lbs.)
Camera mount	M42 (18.0 mm FFD)

* referring to 24 x 36 mm format resp. 43 mm line



ZEISS Interlock Compact 2/35

Relative Illuminance*

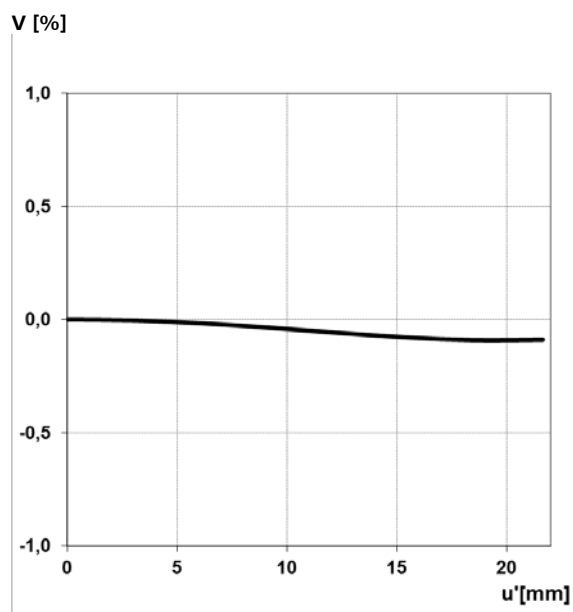


E [%]

The relative illuminance shows the image brightness over the image height u' in relation to the image center.

- f-number = 2.0
- - f-number = 4
- · - f-number = 5.6

Relative Distortion*



V [%]

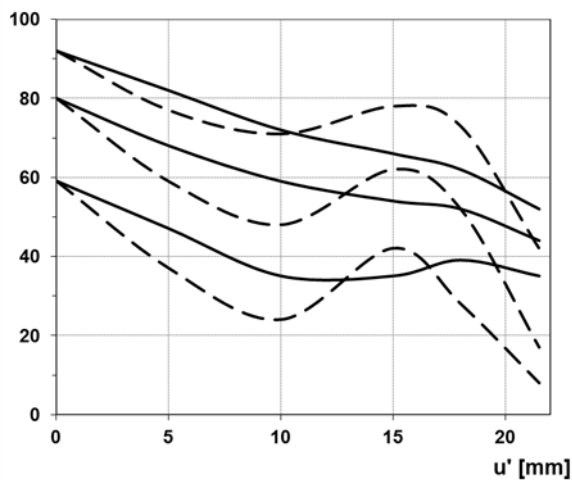
The relative distortion shows the deviation of the image height from the expected image height u' in percent.

*Data for infinite focus setting



ZEISS Interlock Compact 2/35

MTF Charts*

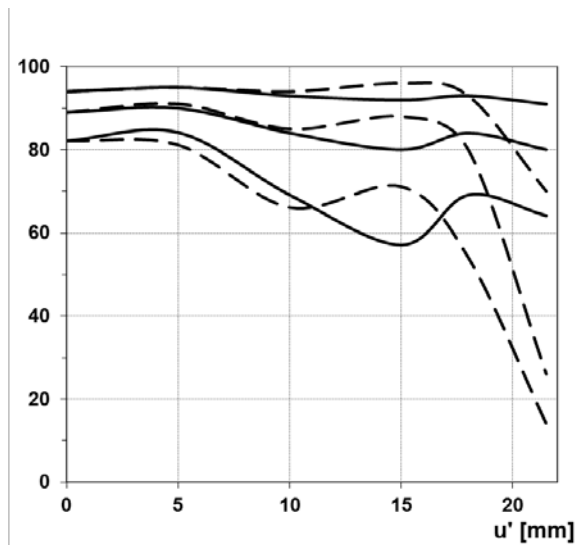


Contrast [%]

The Modulation Transfer (MTF) as a function of image height (u) and slit orientation (sagittal, tangential) has been measured with white light at spatial frequencies of $R = 10, 20$ and 40 cycles/mm.

F-Number 2.0

— Sagittal
... Tangential



Contrast [%]

F-Number 5.6

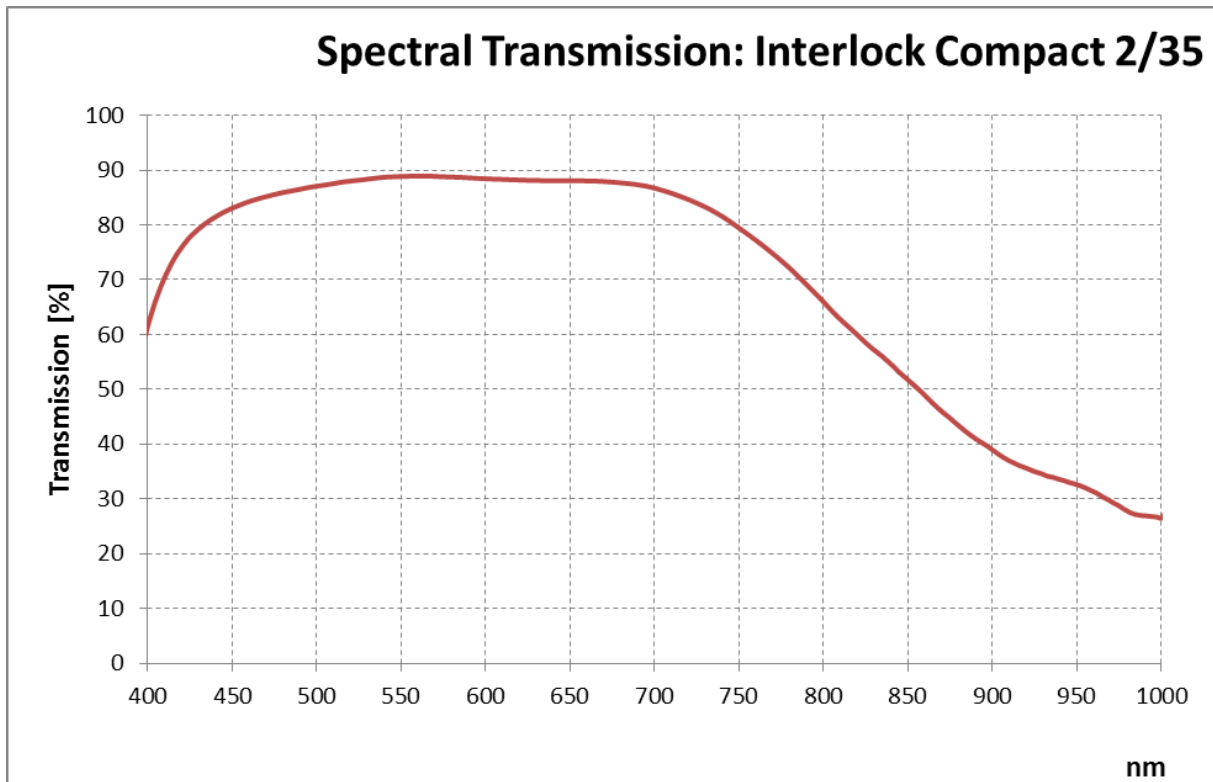
— Sagittal
... Tangential

*Data for infinite focus setting



ZEISS Interlock Compact 2/35

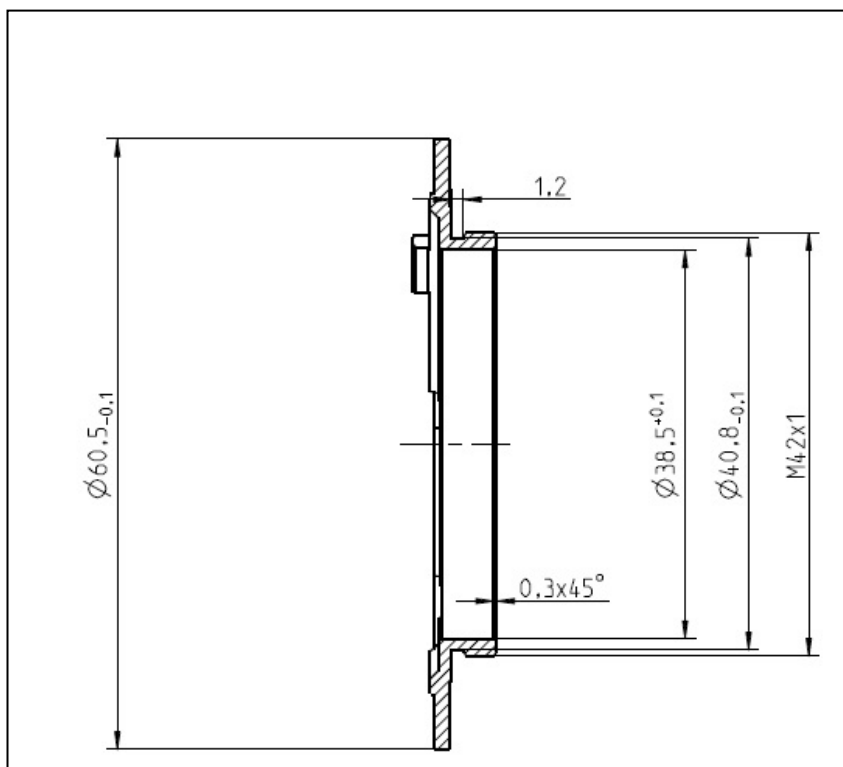
Spectral Transmission





ZEISS Interlock Compact 2/35

Sketch of the M42x1 Interface (FFD 18.0 mm)



The diameter of the camera/lens adapter must not exceed 60 mm at the interface to the lens!