



ZEISS Interlock Compact 2.4/25



Features

- very compact but suitable to large image format
- for industrial cameras up to sensor sizes of 24x36 mm or 41mm line sensors
- precise manual focusing
- robust full-metal construction
- features special screws to fix focus and aperture settings even in rough situations
- due to light weight resistant against vibrations and shocks
- large angular field of 81°

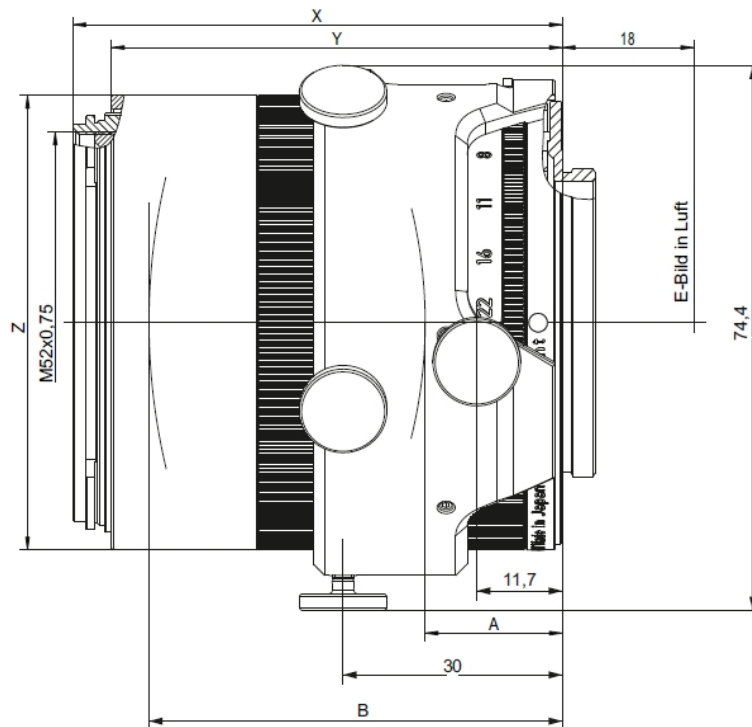
Camera Mount

M42x1 screw mount
(18 mm FFD)



ZEISS Interlock Compact 2.4/25

Technical Specifications



X	Y	Z	A	B
69.2 mm (inf.)	63.8 mm	Ø = 62.0 mm	1.47 mm (inf.)	65.39 mm (inf.)

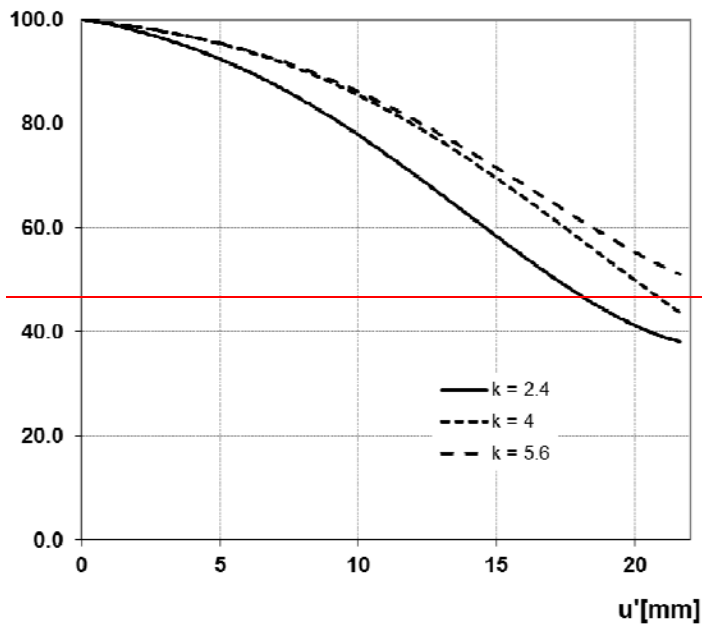
Focal length	25 mm
Aperture range	f/2.4 – f/22
Number of elements / groups	10 / 8
Min. working distance (object to sensor)	250 mm (0.82 ft.) – ∞
Min. free working distance	163 mm (0.54 ft.) – ∞
Angular field* (diag. / horiz. / vert.)	81 / 71 / 51°
Max. diameter of image field	43.0 mm (1.7")
Flange focal length	18.0 mm (0.71")
Coverage at close range	231 x 154 mm (9.1 x 6.1"), line 319 mm (12.5")
Image ratio at close range	1:6.4
Filter-thread	M52 x 0.75
Weight	474 g (1.0 lbs.)
Camera mount	M42 (18.0 mm FFD)

* referring to 24 x 36 mm format resp. 43 mm line



ZEISS Interlock Compact 2.4/25

Relative Illuminance*

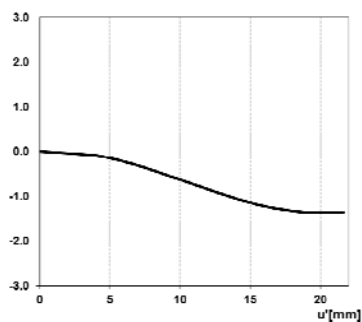


E [%]

The relative illuminance shows the image brightness over the image height u' in relation to the image center.

- f-number = 2.4
- - f-number = 4
- · f-number = 5.6

Relative Distortion*



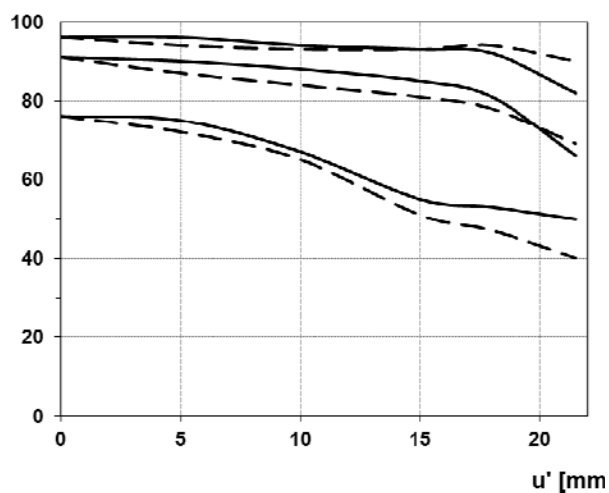
V [%]

The relative distortion shows the deviation of the image height u' from the expected image height u' in percent



ZEISS Interlock Compact 2.4/25

MTF Charts*

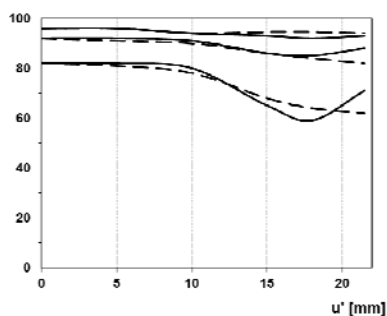


Contrast [%]

The Modulation Transfer (MTF) as a function of image height (u) and slit orientation (sagittal, tangential) has been measured with white light at spatial frequencies of $R = 10, 20$ and 40 cycles/mm.

F-Number 2.4

— Sagittal
... Tangential



Contrast [%]

F-Number 5.6

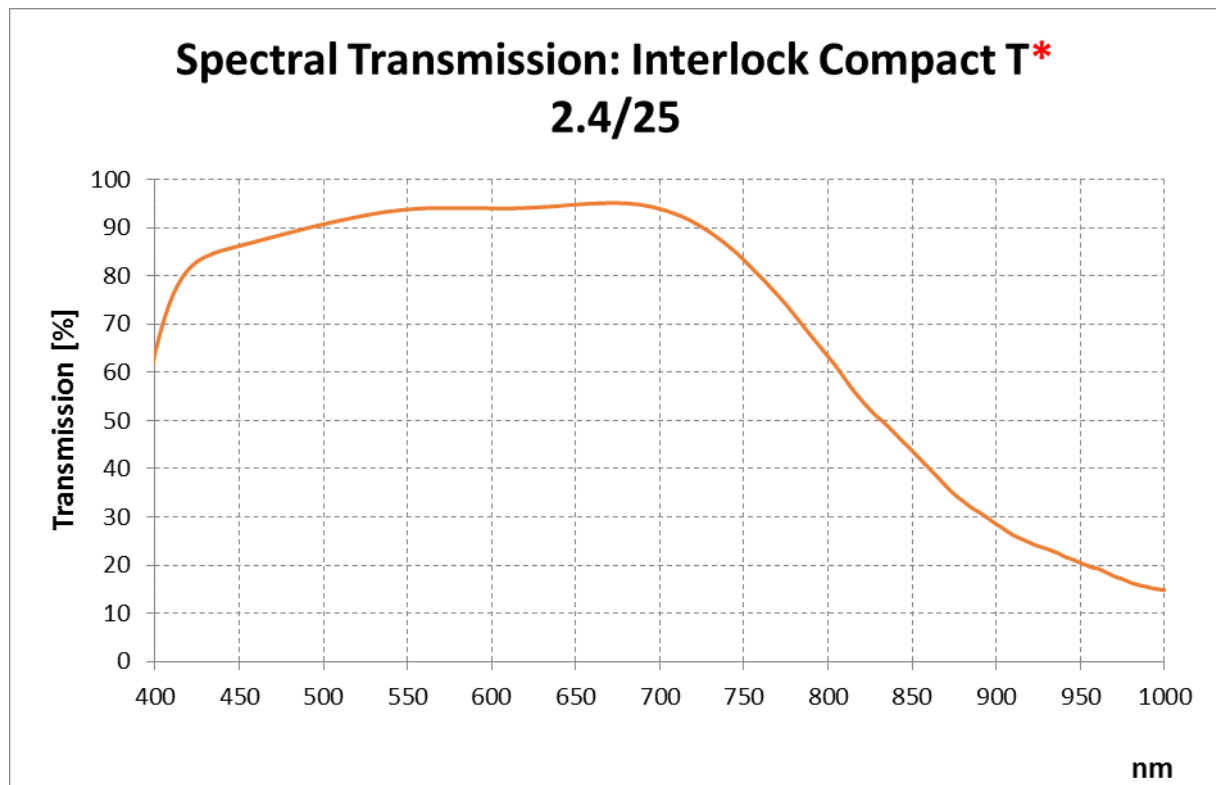
— Sagittal
... Tangential

*Data for infinite focus setting



ZEISS Interlock Compact 2.4/25

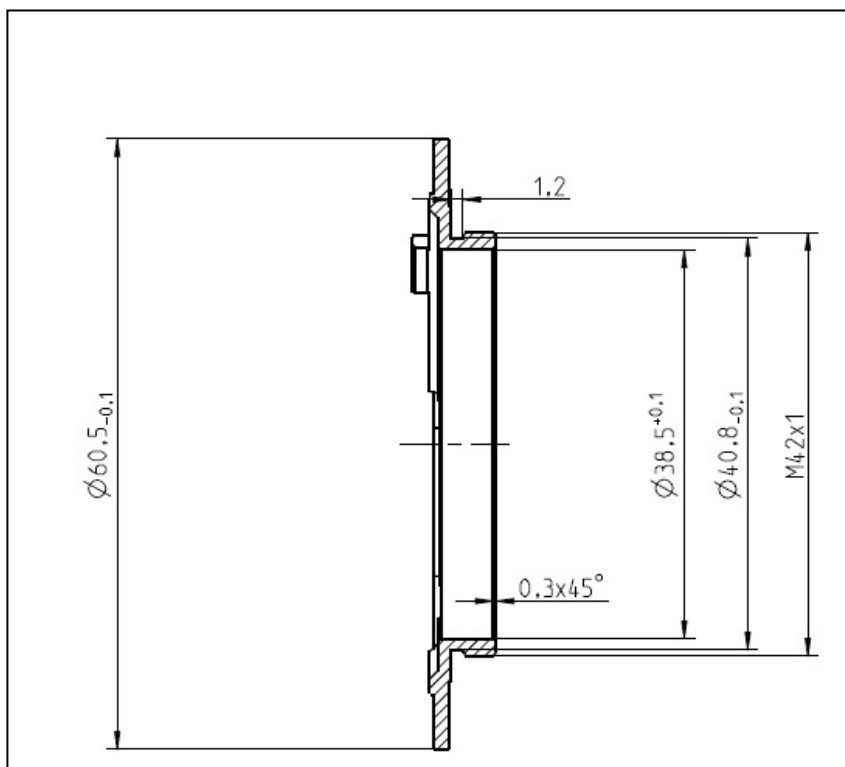
Spectral Transmission





ZEISS Interlock Compact 2.4/25

Sketch of the M42x1 Interface (FFD 18.0 mm)



The diameter of the camera/lens adapter must not exceed 60 mm at the interface to the lens!