



# ZEISS Interlock 1.4/25



## Features

- Very fast f/1.4 aperture
- Precise manual focusing
- Robust full-metal construction
- Continuous aperture setting or click stop
- For industrial cameras up to sensor sizes of 24x36 mm or 41 mm line sensors
- High optical performance both at infinity and at 1:4.6 scale
- Features special screws to fix focus and aperture settings even in rough situations

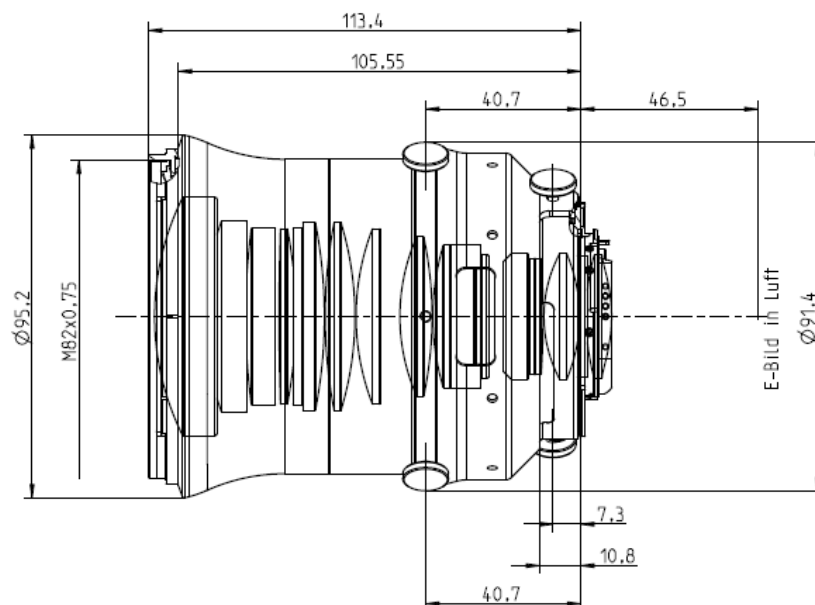
## Camera Mounts

Available with F mount or M42 screw mount



# ZEISS Interlock 1.4/25

## Technical Specifications



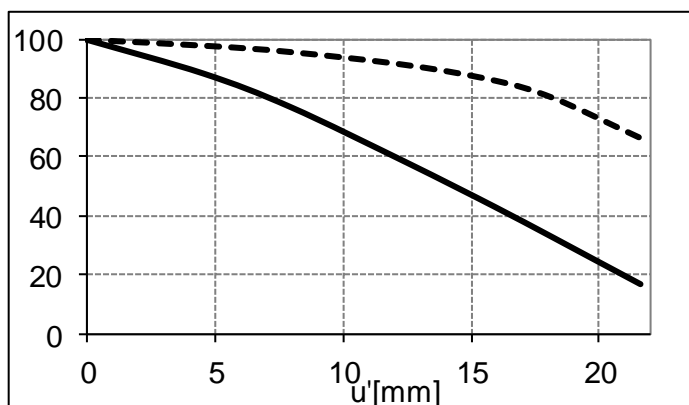
<b>Focal length</b>	25 mm
<b>Aperture range</b>	f/1.4 – f/16 (1/ 2 stop intervals or continuous)
<b>Number of elements / groups</b>	15 / 13
<b>Min. working distance (object to sensor)</b>	252 mm (0.83 ft.) – ∞
<b>Min. free working distance</b>	93 mm (0.31 ft.) – ∞
<b>Angular field* (diag. / horiz. / vert.)</b>	81,2° / 70,8° / 50,4°
<b>Max. diameter of image field</b>	43 mm (1.69")
<b>Flange focal length</b>	F-Mount: 46,5 mm (1.8"); M42-Mount: 45,5 mm
<b>Coverage at close range*</b>	area: 166 x 110 mm (6.5" x 4.3") line: 188 mm (7,4")
<b>Image ratio at close range</b>	1 : 4.6
<b>Filter-thread</b>	M82 x 0.75
<b>Weight</b>	1.218 g (2.7 lbs.)
<b>Camera mount</b>	F bayonet, M42



# ZEISS Interlock 1.4/25

## Relative Illuminance\*

E [%]

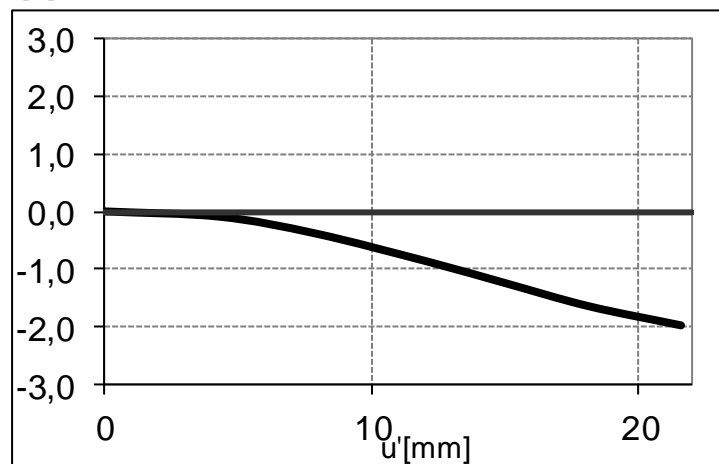


The relative illumination shows the decrease in image brightness from the image center to the edge in percent.

— f-number 1.4  
--- f-number 4

## Relative Distortion\*

v [%]



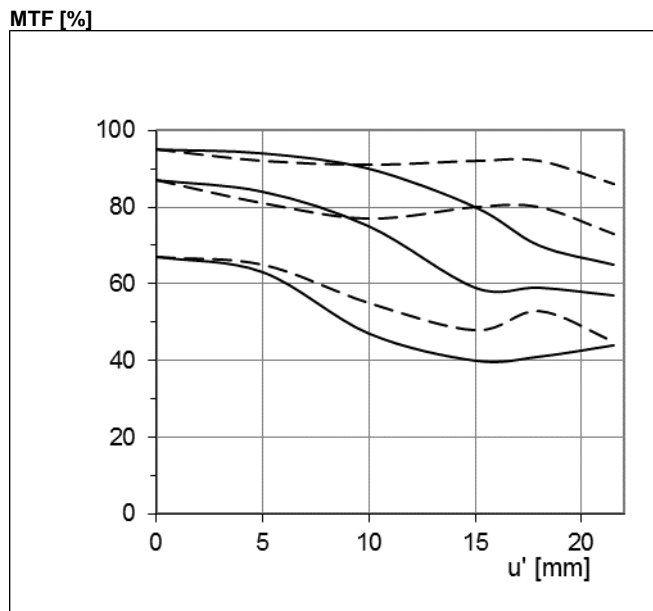
The relative distortion shows the deviation of the actual image height from the ideal one in percent.

\*Data for infinite focus setting



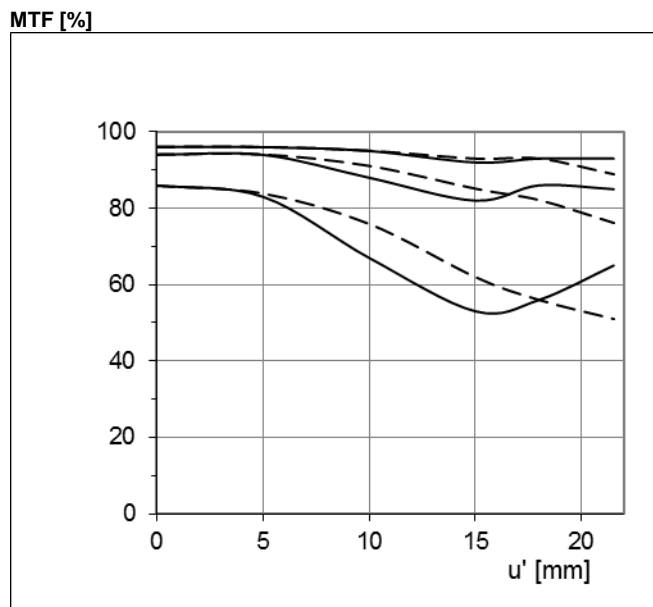
# ZEISS Interlock 1.4/25

## MTF Charts\*



The Modulation Transfer (MTF) as a function of image height ( $u$ ) and slit orientation (sagittal, tangential) has been measured with white light at spatial frequencies of  $R = 10, 20$  and  $40$  cycles/mm.

f-number 1.4  
— Sagittal  
... Tangential



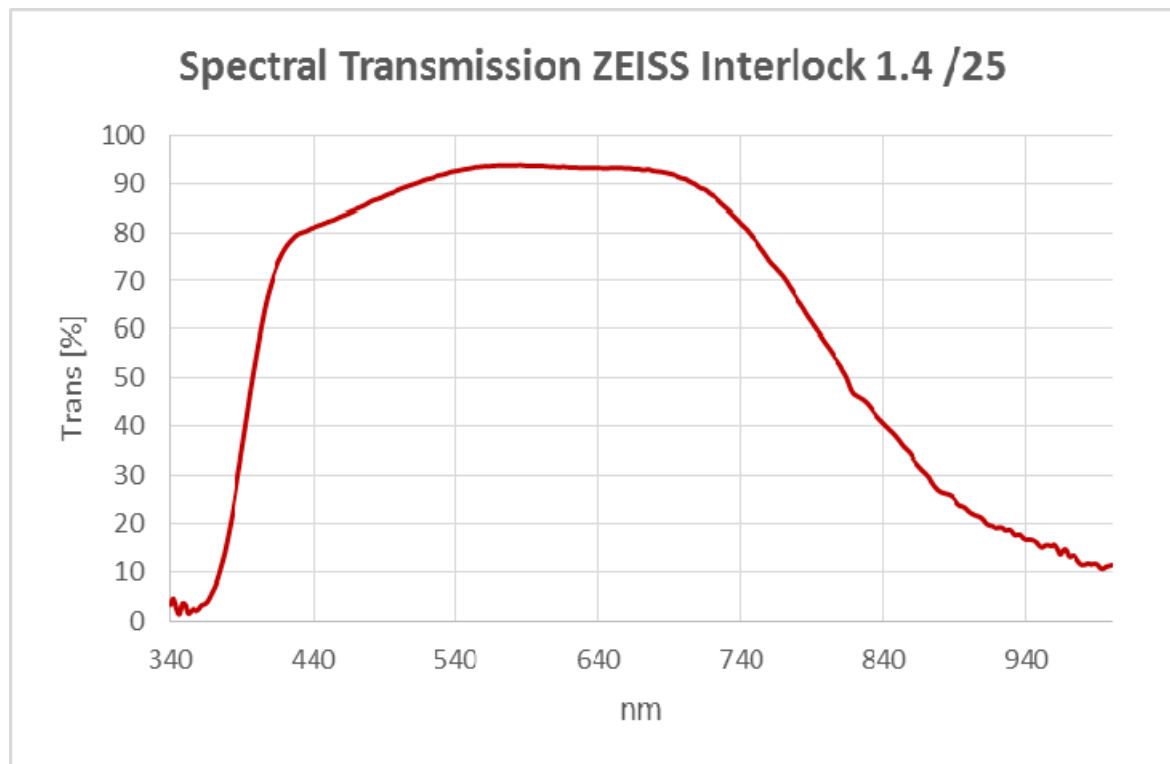
f-number 4  
— Sagittal  
... Tangential

\*Data for infinite focus setting



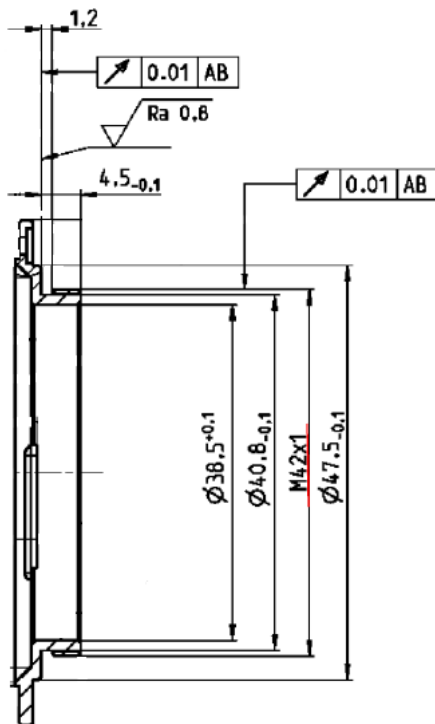
# ZEISS Interlock 1.4/25

## Spectral Transmission





# ZEISS Interlock 1.4/25



M42 Mount for 45,5 mm Flange Focal Distance

The diameter of the camera/lens adapter must not exceed 55 mm at the lens side!