



ZEISS Interlock 2.8/18



Features

- 100° angular field with highest optical performance
- Precise manual focusing
- Robust full-metal construction
- Continuous aperture setting or click stop
- For industrial cameras up to sensor sizes of 24x36 mm or 41mm line sensors
- Features special screws to fix focus and aperture settings even in rough situations
- High contrast over the entire image field

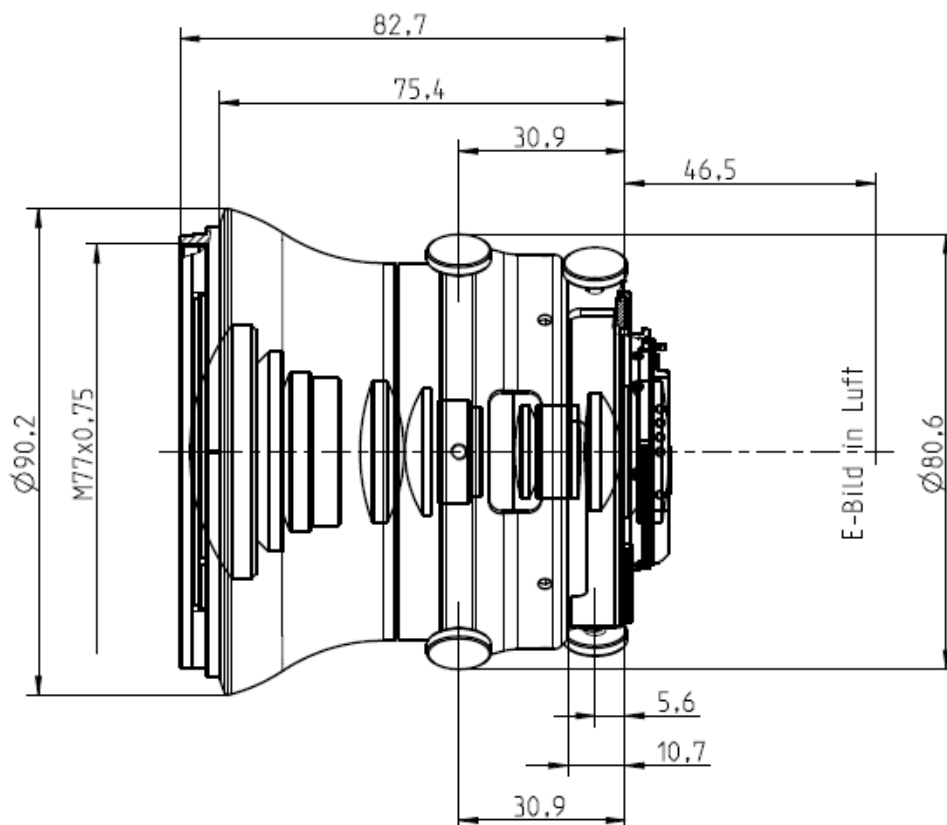
Camera Mounts

Available with F mount or M42 screw mount



ZEISS Interlock 2.8/18

Technical Specifications



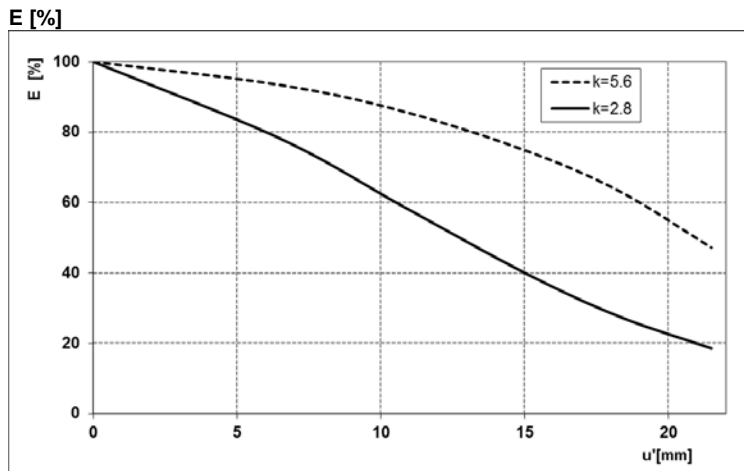
Focal length	18 mm
Aperture range	f/2.8 – f/22 (1/2 stop intervals or continuous)
Number of elements / groups	14/12
Min. working distance (object to sensor)	250 mm (0.82 ft.) - ∞
Min. free working distance	120 mm (0.39 ft.) - ∞
Angular field* (diag. / horiz. / vert.)	99,9 / 89,4 / 66,5°
Max. diameter of image field	43 mm (1.7")
Flange focal length	F-Mount: 46.5 mm (1.8"); M42-Mount: 45,5 mm
Coverage at close range	274 x 180 mm (10.8 x 7.1") line 318 mm (12.5")
Image ratio at close range	1:7.4
Filter-thread	M 77 x 0.75
Weight	722 g (1.59 lbs.)
Camera mount	F bayonet, M42

* referring to 35 mm format



ZEISS Interlock 2.8/18

Relative Illuminance*

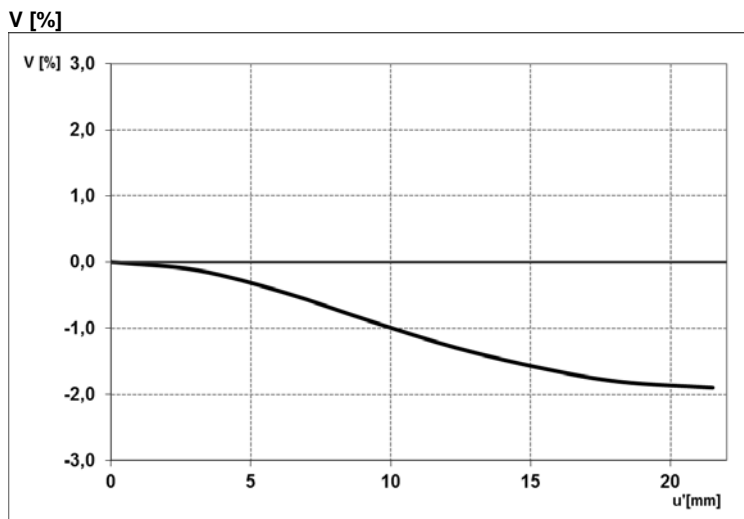


The relative illumination shows the decrease in image brightness from the image center to the edge in percent.

— f-number = 2.8

... f-number = 5.6

Relative Distortion*



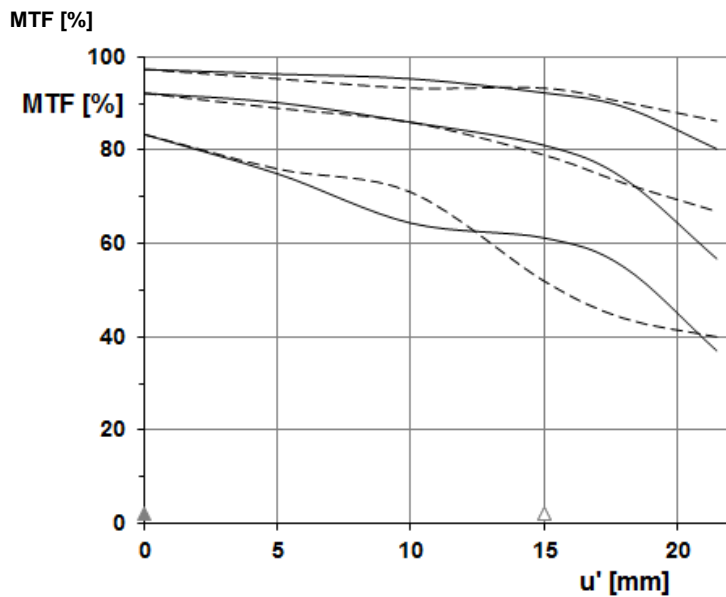
The relative distortion shows in percent the deviation of the actual from the ideal image height.

*Data for infinite focus setting



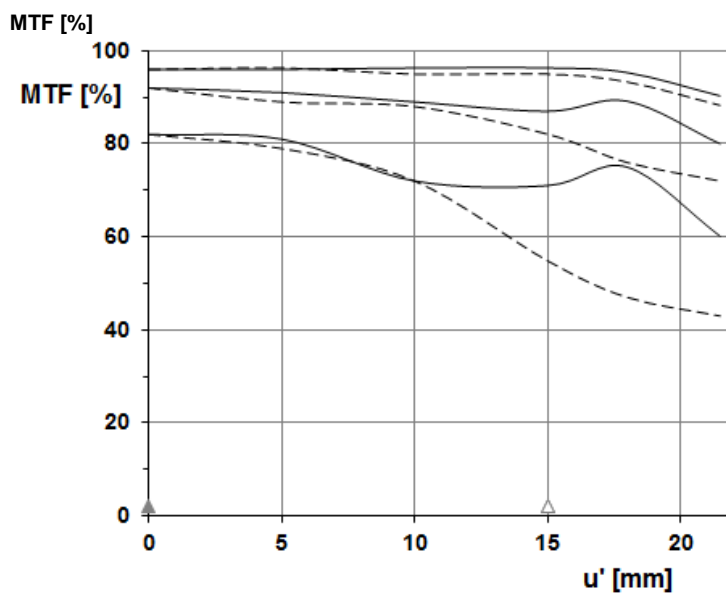
ZEISS Interlock 2.8/18

MTF Charts*



Modulation transfer MTF as a function of the image height (u') and slit orientation. White light. Spatial frequencies $R=10, 20$ and 40 cycles/mm.

f-number 2.8
— Sagittal
... Tangential



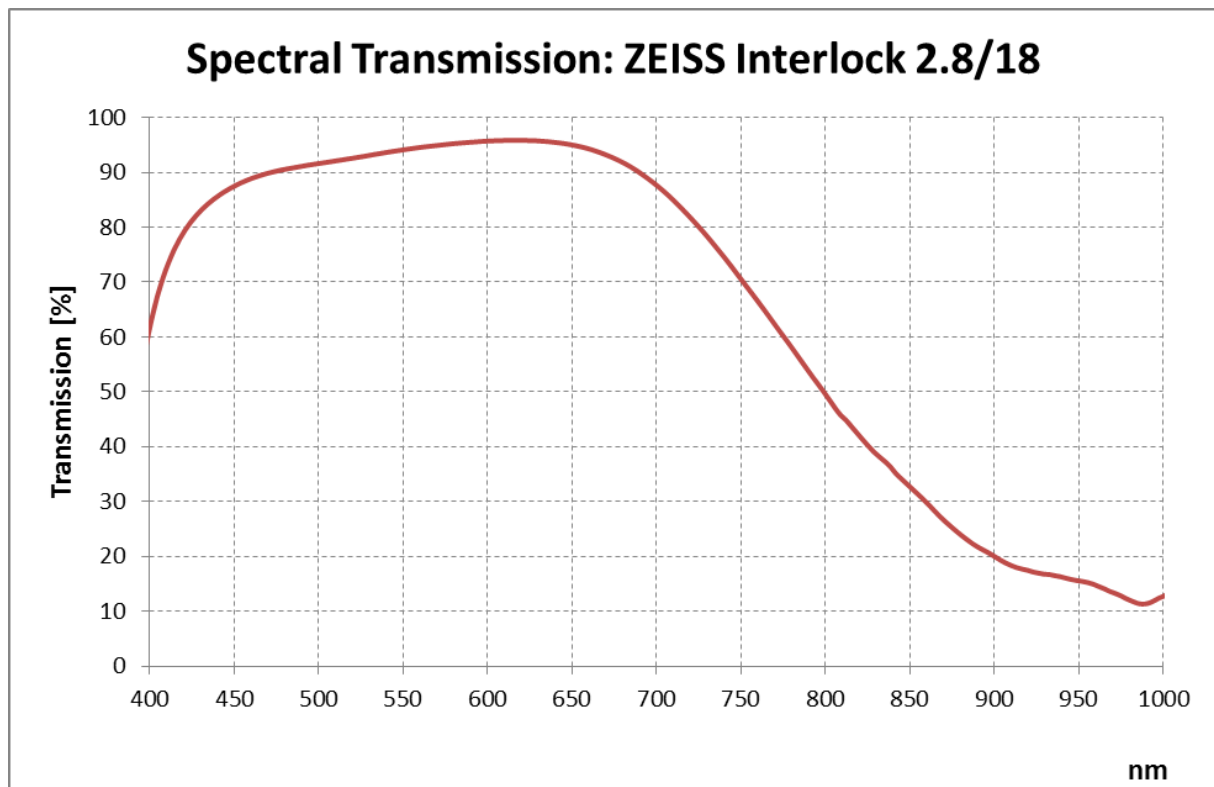
f-number 5.6
— Sagittal
... Tangential

*Data for infinite focus setting



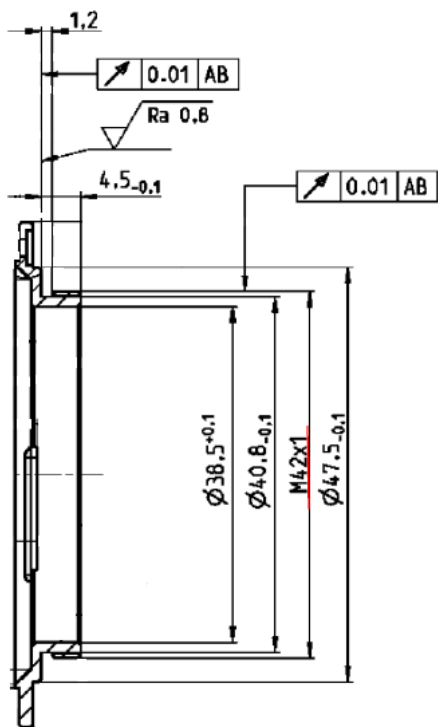
ZEISS Interlock 2.8/18

Spectral Transmission





ZEISS Interlock 2.8/18



M42 Mount for 45,5 mm Flange Focal Distance

The diameter of the camera/lens adapter must not exceed 55 mm at the lens side!