



# C-Sonnar T\* 1.5/50



## Features

- Fast f/1.5 aperture
- Precise manual focusing
- Robust full-metal construction
- Identical color reproduction of all models
- For industrial cameras with M42-Mount up to sensor sizes of 24x36 mm
- Compact
- Low Weight

### Z-M42-I: Industrial Edition

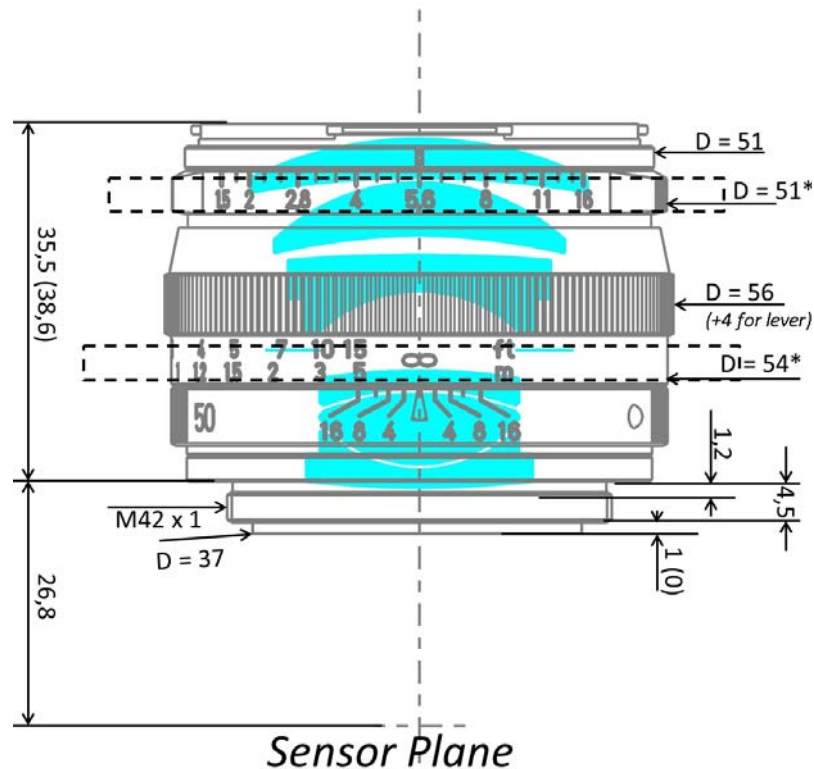
Features special screws to fix focus and aperture settings even in rough situations.

### Camera Mounts

M42 screw mount.  
Flange Focal Distance  
26,8mm  
Adapter Needed!

# C-Sonnar T\* 1.5/50

## Technical Specifications



All values are valid for infinity. Values in brackets are valid for MOD.  
\*Excluding fixing screws. Length of fixing screws: 8 mm

<b>Focal length</b>	50 mm
<b>Aperture range</b>	f/1,5 – f/16 (1/3 stop intervals)
<b>Number of elements / groups</b>	6 / 4
<b>Min. working distance (object to sensor)</b>	900 mm (2,95 ft.) – ∞
<b>Min. free working distance</b>	830 mm (2,73 ft.) – ∞
<b>Angular field<sup>2)</sup> (diag. / horiz.)</b>	45 / 38°
<b>Max. diameter of image field</b>	43 mm (1.7")
<b>Flange focal length</b>	26.8 mm (1.05") with M42 Mount
<b>Coverage at close range<sup>2)</sup></b>	370 x 450 mm (14.5 x 17,6")
<b>Image ratio at close range</b>	1:16
<b>Filter-thread</b>	M 46 x 0.75
<b>Weight</b>	250 g (0.55 lbs.)
<b>Camera mount</b>	M42 with Flange Focal Distance 26,8 mm

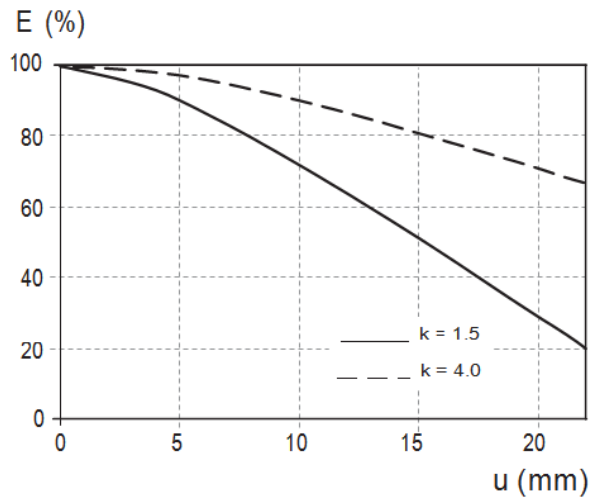
2) referring to Full Frame Format

1) All Data for infinite focus setting



# C-Sonnar T\* 1.5/50

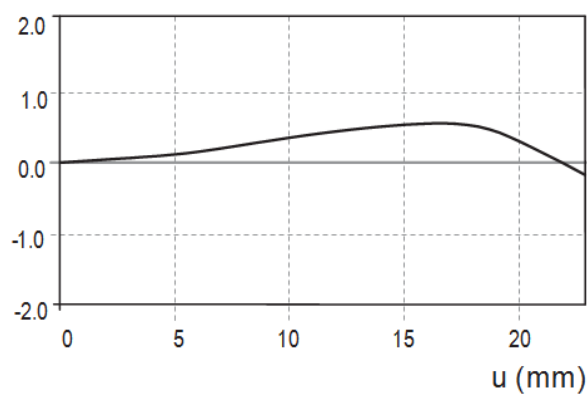
## Relative Illuminance<sup>1)</sup>



The relative illumination shows the decrease in image brightness from the image center to the edge in percent.

— f-number 1.5  
... f-number 4.0

## Relative Distortion<sup>1)</sup>



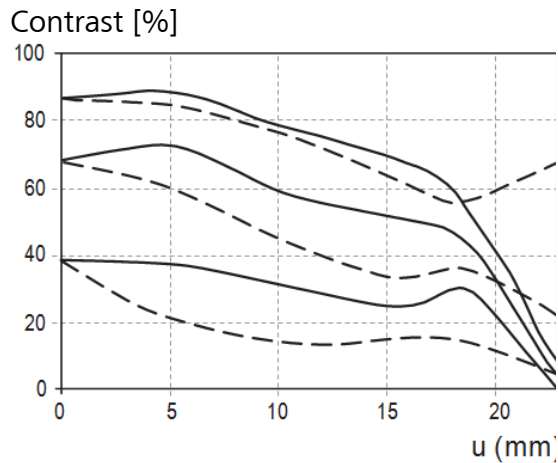
The relative distortion shows the deviation of the actual image height from the ideal one in percent.

1) All Data for infinite focus setting  
03/15 · Subject to change.



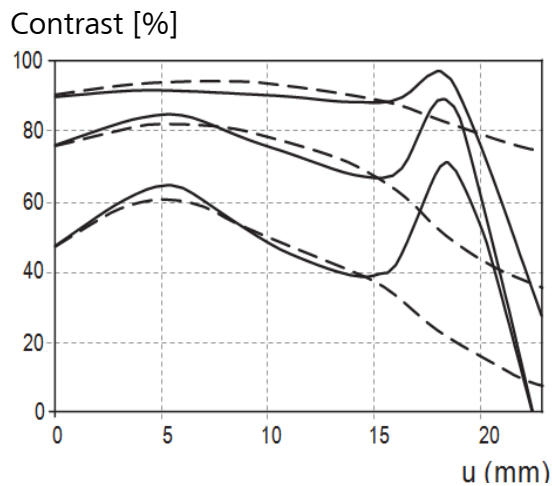
# C-Sonnar T\* 1.5/50

## MTF Charts<sup>1)</sup>



The Modulation Transfer (MTF) as a function of image height (u) and slit orientation (sagittal, tangential) has been measured with white light at spatial frequencies of  $R = 10, 20$  and  $40$  cycles/mm.

f-number 1.5  
— Saggital  
... Tangential



f-number 4  
— Saggital  
... Tangential

1) All Data for infinite focus setting  
03/15 · Subject to change.