


### Product Highlights

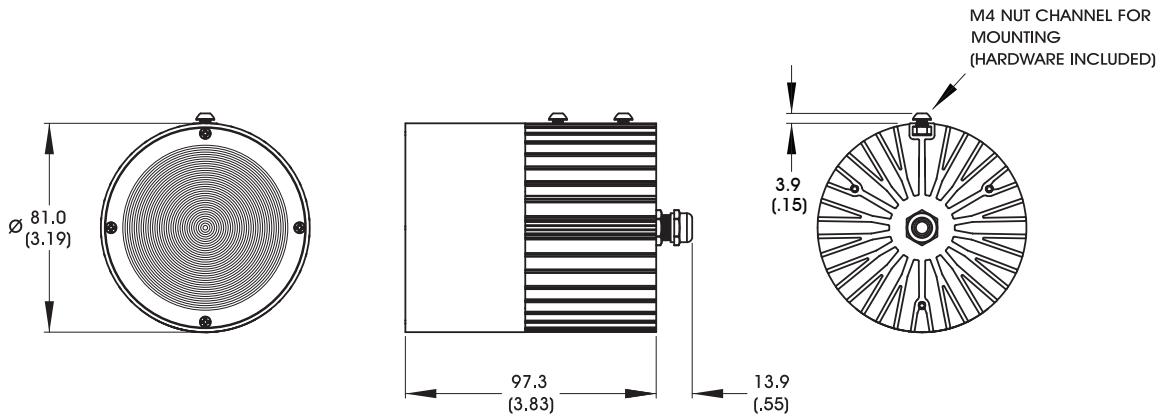
- Large format useful with high speed cameras
- Very high intensity, uniform light for long working distance and large field-of-view
- Strobe or continuous-on drive capability
- Rugged industrial housing with optimized passive thermal management
- More efficient and stable than common flood lights



### General Specifications

Electrical Specifications	Color	24v Current	All Other Controls
	WHI	N/A	0.64 A Max
Normal Operating Temperature	0 - 60°C		
Weight (g)	567 g (20 oz.)		
Standard Cable Information	Up to 2 meters (80") long - 105°C rated PVC jacket, foil shield with drain.		
Photobiological Risk Factor IEC 62471	Group 1 (Low-Risk) Applicable Wavelengths: WHI		
Compliance			
IP Rating	IP60		
Lumen Maintenance	L70 = 50,000 hours		

## Mechanical Specifications



## Part Number Key

Model	—	Spectral Wavelength	Connector/Control	—	Alternative Connector
<b>SL185</b>	<b>—</b>	<b>XXX</b>	<b>XX</b>	<b>—</b>	<b>XXX</b>
SL185		WHI (white)	C1 C5 IC I3 I3S		M12 <sup>1</sup>
Ex: SL185-WHIC1 SL185-WHII3-M12			<sup>1</sup> Available with IC, I3, and I3S options only		

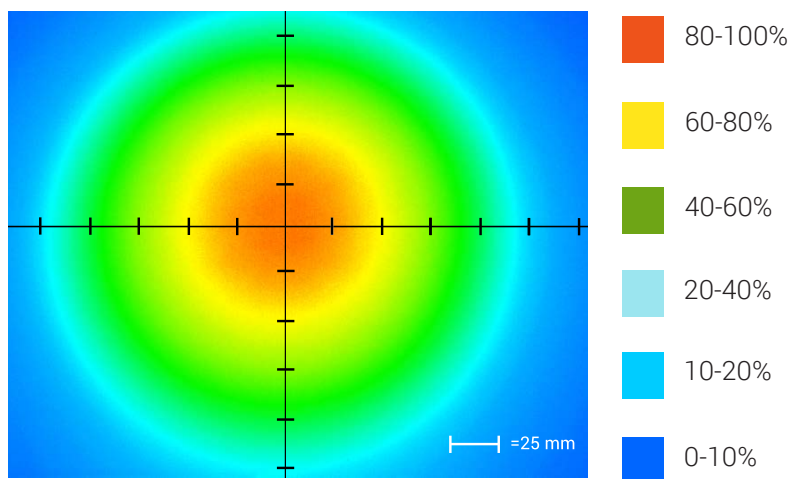
**Stock Product:** *shipped within 3 days*    **Build to Order:** *shipped within two weeks*  
 SL185-WHIC

## Connector | Control Options

C1 Connector	C5 Connector	ICS 2 (IC)	ICS 3 (I3)	ICS 3S (I3S)
For use with: DCS Series Controllers	For use with: Pulsar 320 Strobe Controller.	Continuous in-line controller  Powered with: 24V power supply	Combination strobe/continuous in-line controller  Powered with: 24V power supply	Default-OFF strobe/continuous in-line controller  Powered with: 24V power supply

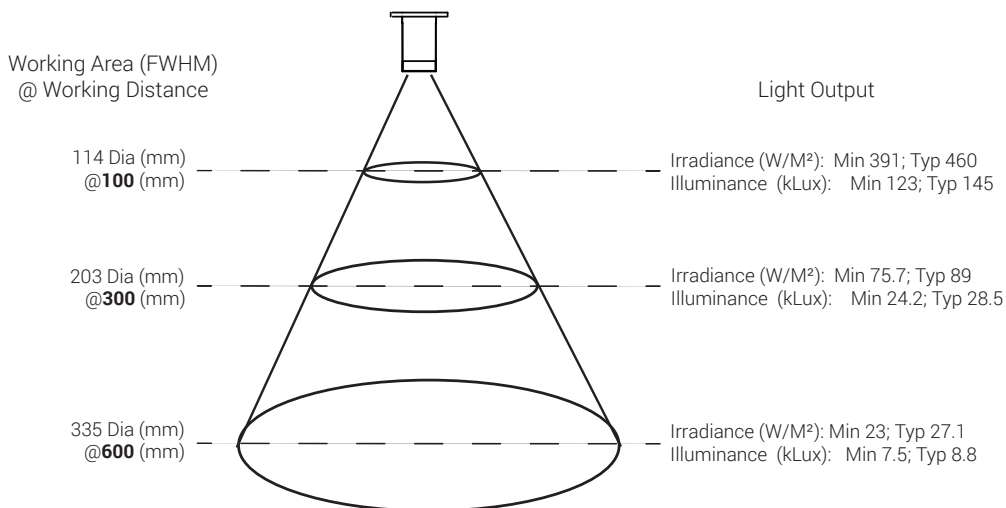
## Optical Performance

### Intensity Distribution



Optical measurement taken using SL185-WHIC @ 100 mm

### Area of Illuminance & Intensity



## Operation and Wiring

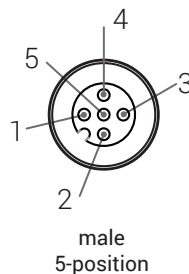
### ICS 2 (IC)

Pin (M12)	Function	Wire Color
1	+24 VDC	Brown
2	0-10 VDC Analog Control	White
3	GND	Blue
4	GLO	Black
5	N/A	Gray

### ICS 3 (I3 and I3S)

Pin (M12)	Function	Wire Color
1	+24 VDC	Brown
2	Reserved	White
3	GND	Blue
4	PNP/Active High Trigger	Black
5	0-10 VDC Analog Control	Gray

### Optional M12 Pinout



## Warranty Information

Every Advanced illumination, Inc. (Ai) product is thoroughly inspected and tested before leaving the factory. Products are warranted to be free of defects in workmanship and materials for a period of two years from the original date of purchase. Should a defect develop during this period, please contact Ai Customer Service or your Ai distributor for a Return Merchandise Authorization (RMA), and return the complete product, freight prepaid, to Ai. If a defect is found, Ai will - at our discretion - repair or replace the product without charge. Ai claims no liability for any implied warranties, including "merchantability" and "fitness for a specific purpose."

## Electromagnetic Compatibility

This product was tested and complies with the regulatory requirements and limits for electromagnetic compatibility (EMC) as stated in the product specifications. These requirements and limits are designed to provide reasonable protection against harmful interference only when the product is operated in its intended industrial electromagnetic environment. To minimize the potential for electromagnetic interference or unacceptable performance degradation, install and use this product in strict accordance with the instructions in the product documentation.

## Customer Service

For information on existing orders, or to make an order adjustment, contact us Monday through Friday 8:00 am to 5:00 pm, EST or send an email to [orders@advill.com](mailto:orders@advill.com).

## Company Information

### **Advanced Illumination**

440 State Garage Road, Rochester VT. 05767

Phone: 802.767.3830

Fax: 802.767.3831

Email: [info@advancedillumination.com](mailto:info@advancedillumination.com)

Web: [advancedillumination.com](http://advancedillumination.com)

© 2015 Advanced Illumination Inc. All rights reserved