

# Basler Accessories



## Technical Specification

### **LENS TS5014-MP F1.4 f50mm 1"**

**Order Number**

**2200000102**

Document Number: DG001794

Version: 01 Language: 000 (English)

Release Date: 23 January 2017

## **Contacting Basler Support Worldwide**

### **Europe, Middle East, Africa**

Basler AG  
An der Strusbek 60–62  
22926 Ahrensburg  
Germany

Tel. +49 4102 463 515  
Fax +49 4102 463 599

[support.europe@baslerweb.com](mailto:support.europe@baslerweb.com)

### **The Americas**

Basler, Inc.  
855 Springdale Drive, Suite 203  
Exton, PA 19341  
USA

Tel. +1 610 280 0171  
Fax +1 610 280 7608

[support.usa@baslerweb.com](mailto:support.usa@baslerweb.com)

### **Asia-Pacific**

Basler Asia Pte. Ltd.  
35 Marsiling Industrial Estate Road 3  
#05–06  
Singapore 739257

Tel. +65 6367 1355  
Fax +65 6367 1255

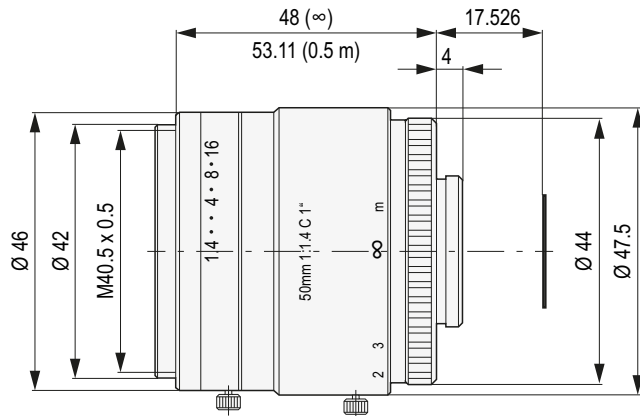
[support.asia@baslerweb.com](mailto:support.asia@baslerweb.com)

[www.baslerweb.com](http://www.baslerweb.com)

**All material in this publication is subject to change without notice and is copyright Basler AG.**

Order Number	Description	Applicable Cameras
2200000102	Lens TS5014-MP F1.4 f50mm 1"	C-mount cameras with sensors of up to 1"

Table 1: Lens Type



Dimensions in mm

Fig. 1: Lens Overview

Image Format	1"
Focal Length	50 mm
Aperture Range	<i>f</i> /1.4– <i>f</i> /16
Angle of View	Horizontal: 14.50° Vertical: 10.92°
Resolution	MP
TV Distortion	0.205 % (on 1" sensor)
Focus Range	0.5 m to infinity
Back Focal Length	14.55 mm in air
Flange Back	17.526 mm
Operation	Focus: manual with locking screw Iris: manual with locking screw
Lens Mount	C-mount
Filter Screw	M40.5 x 0.5
Dimensions	47.5 mm x 53.11 mm (max.)
Weight	190 g
Operating Temperature	-10–50 °C

Table 2: Specifications

## Revision History

Doc. ID Number	Date	Changes
DG00179401000	23 Jan 2017	Initial release of this document.