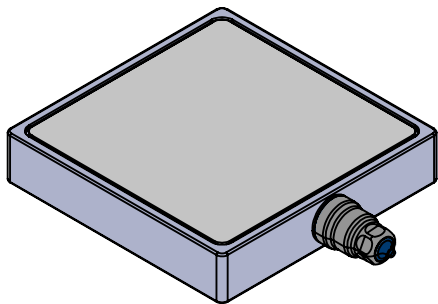
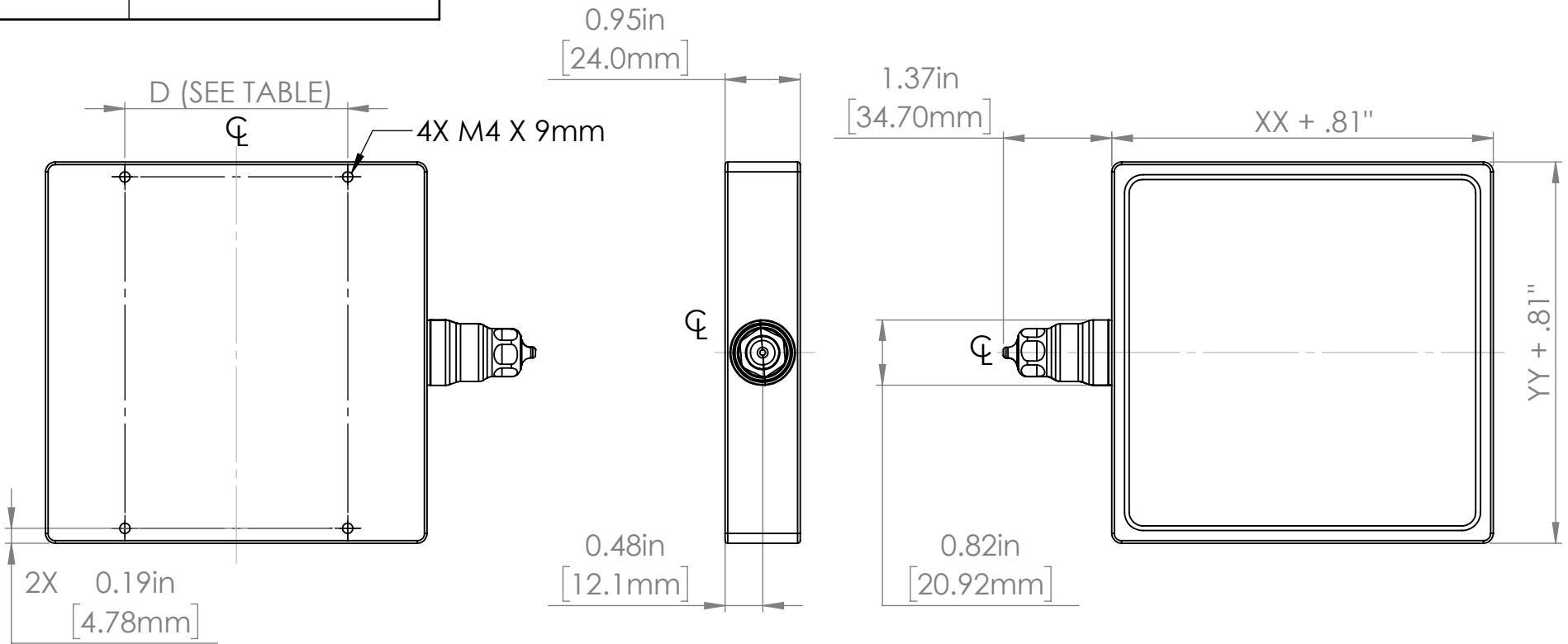


TABULATION TABLE	
CONFIG.	MOUNTING HOLE DISTANCE CENTER TO CENTER (D)
04YY, 05YY	75mm [2.95]
06YY, 07YY	100mm [3.94]
08YY, 09YY	125mm [4.92]
10YY, 11YY	150mm [5.90]
12YY, 13YY	175mm [6.89]

REVISIONS			
REV.	DESCRIPTION	DATE	DCN NO
-	FOR QUOTING PURPOSES ONLY		



FOR REFERENCE ONLY

**PROPRIETARY AND CONFIDENTIAL**  
 THESE DRAWINGS AND SPECIFICATIONS ARE THE EXCLUSIVE PROPERTIES OF ADVANCED ILLUMINATION INCORPORATED ISSUED IN STRICT CONFIDENCE AND SHALL NOT, WITHOUT THE PRIOR WRITTEN PERMISSION OF ADVANCED ILLUMINATION INC BE REPRODUCED, COPIED OR USED FOR ANY PURPOSE WHATSOEVER EXCEPT THE MANUFACTURE OF ARTICLES FOR ADVANCED ILLUMINATION INC

CUT USING: -		<b>UNLESS OTHERWISE SPECIFIED:</b>		DATE	NAME	 440 STATE GARAGE ROAD, ROCHESTER, VERMONT 05767
		SURFACE SHOULD BE FREE OF SCRATCHES, BURRS, AND DENTS		18-APR-19	T.MILLS	
		DIMENSIONS ARE IN: INCHES		CHECKED	--	<b>TITLE:</b> DRAWING, INSTALLATION, BL245- XXYY
		<u>TOLERANCES</u>		APPROVED	--	
		FRACTIONAL: 1/16		MATERIAL		<b>SIZE DWG. NO.</b> BL245-XXYY
		ANGULAR: MACH ± 1 BEND ± 1		AS NOTED ON INDIVIDUAL DRWS		
		TWO PLACE DECIMAL: .010		FINISH		<b>REV</b> -
		THREE PLACE DECIMAL: .005		AS NOTED ON INDIVIDUAL DRWS		
NEXT ASSY	USED ON	MAKE FROM				<b>SCALE: NTS C CODE:</b>
APPLICATION						