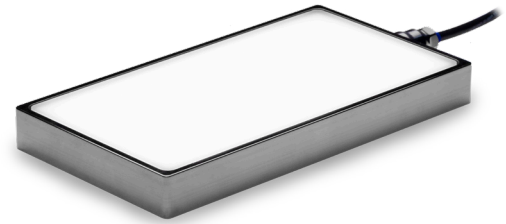


Product Highlights

- IP69K certified design for protection against high-pressure steam cleaning and prolonged liquid immersion.
- Built using a proprietary nickel coating for vastly improved corrosion protection - more inert than stainless steel.
- Crevice-free design with smooth-bodied surfaces to diminish the chance of material buildup while improving its ease of cleaning.
- Engineered with thermal management in mind - housing is 11X more thermally conductive than stainless steel.

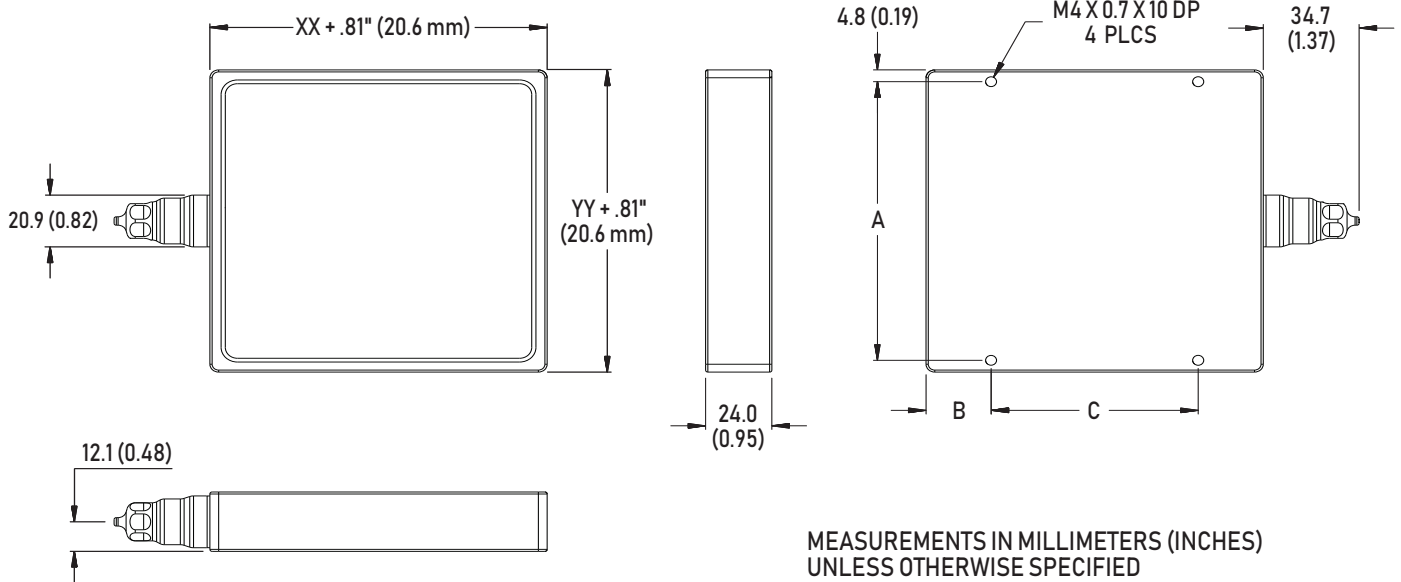


General Specifications

	Color	24V Current	All Other Controls
Electrical Specifications	660, 880	0.03A per sq. inch	0.018A Max per sq. inch
	470, 520, WHI	0.02A per sq. inch	0.015A Max per sq. inch
Normal Operating Temperature	0 - 60°C		
Weight	4" x 8" unit - 635g (22.4oz)		
Cable Information	2 meters long (80") - 105°C rated PVC jacket, foil shield with drain.		
Photobiological Risk Factor	Exempt Applicable Wavelengths: 880 Group 1 (Low Risk) Applicable Wavelengths: 470, 520, 660, WHI		
Compliance	CE, RoHS, IEC 62471		
IP Rating	IP69K Certified		
Lumen Maintenance	L70 = 50,000 Hours		

UltraSeal Backlights

Mechanical Specifications

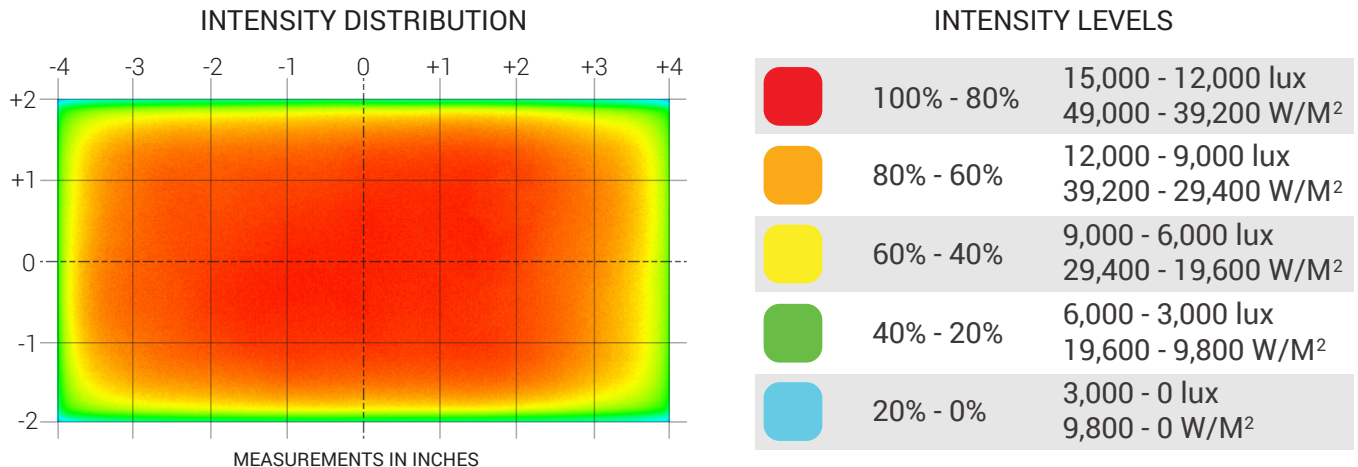


BUILD-TO-ORDER SIZE CHART

BL245-XXYY	XX LENGTH	YY WIDTH	A	B	C
BL245-0404	122.2 (4.81)	122.2 (4.81)	112.6 (4.43)	23.6 (0.93)	75.0 (2.95)
BL245-0606	173.0 (6.81)	173.0 (6.81)	163.4 (6.43)	36.5 (1.44)	100.0 (3.94)
BL245-0804	223.8 (8.81)	122.2 (4.81)	112.6 (4.43)	49.4 (1.94)	125.0 (4.92)
BL245-0808	223.8 (8.81)	223.8 (8.81)	214.2 (8.43)	49.4 (1.94)	125.0 (4.92)
BL245-1208	325.4 (12.81)	223.8 (8.81)	214.2 (8.43)	75.2 (2.96)	175.0 (6.89)
BL245-1212	325.4 (12.81)	325.4 (12.81)	315.8 (12.43)	75.2 (2.96)	175.0 (6.89)

CONTACT SALES FOR ADDITIONAL SIZES

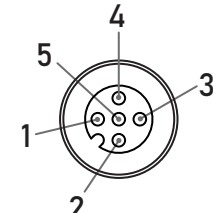
Optical Performance



OPTICAL MEASUREMENTS TAKEN AT THE DIFFUSER SURFACE USING 4" x 8" WHITE LED MODEL

UltraSeal Backlights

Operation and Wiring

ICS 3 (I3 & I3S)			ICS 2 (IC)			24 VOLT			Optional M12 Pinout  MALE 5-POSITION
PIN (M12)	FUNCTION	WIRE COLOR	PIN (M12)	FUNCTION	WIRE COLOR	PIN (M12)	FUNCTION	WIRE COLOR	
1	24V DC	BROWN	1	24V DC	BROWN	1	24V DC	BROWN	
2	SHIELD	WHITE	2	0-10V ANALOG CONTROL	WHITE	2	N/A	WHITE	
3	DC GND	BLUE	3	DC GND	BLUE	3	DC GND	BLUE	
4	PNP/ACTIVE HIGH TRIGGER	BLACK	4	GLO	BLACK	4	N/A	BLACK	
5	0-10V ANALOG CONTROL	GRAY	5	N/A	GRAY	5	N/A	GRAY	

Connector | Control Options

C1 CONNECTOR	C5 CONNECTOR	ICS 2 (IC)	ICS 3 (I3)	ICS 3S (I3S)	24 VOLT
For use with: DCS-100E & DCS-103E Strobe/Continuous Controllers Ordered Separately	For use with: Pulsar 320 High Power Strobe Only Controller Ordered Separately	In-line Continuous Controller Included 24V Power Supply Required Flying/Tinned Leads	In-line Strobe/Continuous Controller Included Default On 24V Power Supply Required Flying/Tinned Leads	In-line Strobe/Continuous Controller Included Default Off 24V Power Supply Required Flying/Tinned Leads	Flying/Tinned Leads No Control Features Powered with: 24V Power Supply

Part Number Key

Model	-	Length	Width	Wavelength	Connector /Control	-	Alternative Connector (Optional)
BL245	-	XX	YY	XXX	XX	-	XXX
BL245	-	IN 1" INCREMENTS FROM 2" TO 12"	IN 1" INCREMENTS FROM 2" TO 12"	(BLUE) 470 (GREEN) 520 (RED) 660 (IR) 880 (WHITE) WHI	C1 C5 IC I3 I3S 24	-	M12 ¹

Ex: BL245-0412WHI13-M12
BL245-1212660C1

STANDARD SIZES THAT SHIP WITHIN 2 WEEKS

BL245-0404	BL245-1212
BL245-0606	BL245-0408
BL245-0808	BL245-0812

¹ AVAILABLE WITH IC, I3, and I3S

CONTACT SALES FOR SIZES BEYOND 12" X 12"

UltraSeal Backlights

Warranty Information

Every Advanced illumination, Inc. (Ai) product is thoroughly inspected and tested before leaving the factory. Products are warranted to be free of defects in workmanship and materials for a period of five years from the original date of purchase. Should a defect develop during this period, please contact Ai Customer Service or your Ai distributor for a Return Merchandise Authorization (RMA), and return the complete product, freight prepaid, to Ai. If a defect is found, Ai will - at our discretion - repair or replace the product without charge. Ai claims no liability for any implied warranties, including "merchantability" and "fitness for a specific purpose."

Electromagnetic Compatibility

This product was tested and complies with the regulatory requirements and limits for electromagnetic compatibility (EMC) as stated in the product specifications. These requirements and limits are designed to provide reasonable protection against harmful interference only when the product is operated in its intended industrial electromagnetic environment. To minimize the potential for electromagnetic interference or unacceptable performance degradation, install and use this product in strict accordance with the instructions in the product documentation.

Customer Service

For information on existing orders, or to make an order adjustment, contact us Monday through Friday 8:00 am to 5:00 pm, EST or send an email to orders@advill.com.

Company Information

Advanced Illumination

440 State Garage Road, Rochester VT. 05767

Phone: 802.767.3830

Fax: 802.767.2636

Email: info@advancedillumination.com

Web: advancedillumination.com

© 2019 Advanced Illumination, Inc. All rights reserved