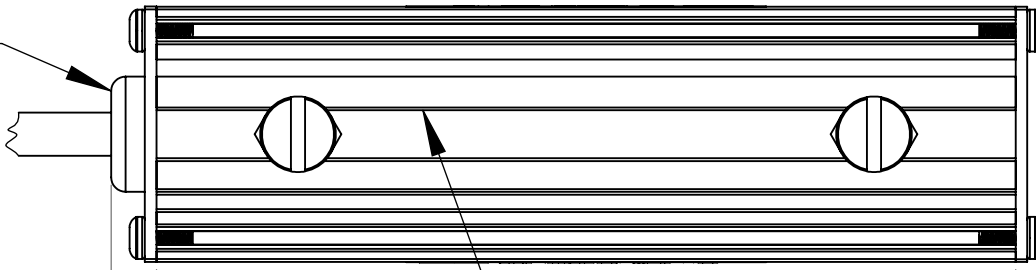


BL193 LENGTH MATRIX

PART #	LENGTH IN INCHES [mm]
BL19301	1.475 [37.47 mm]
BL19302	2.475 [62.87 mm]
BL19303	3.475 [88.27 mm]
BL19304	4.475 [113.7 mm]
BL19305	5.475 [139.1 mm]
BL19306	6.475 [164.5 mm]
1" INCREMENTS UP TO MAX OF 80"	

REVISIONS			
REV.	DESCRIPTION	DATE	DCN NO
-	FOR QUOTING PURPOSES ONLY		

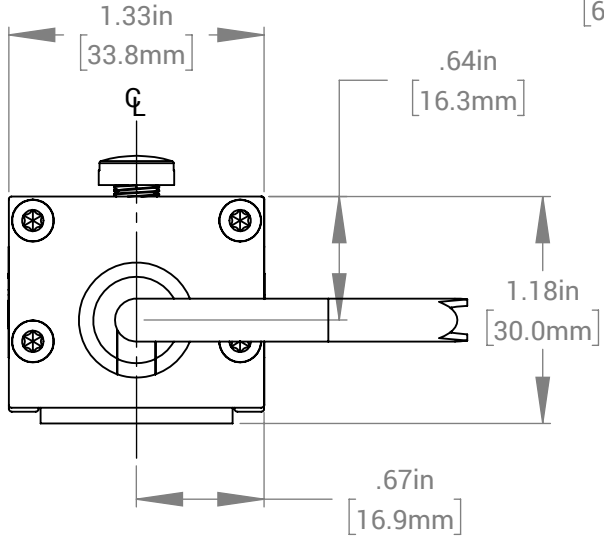
CABLE ENTRY SIDE



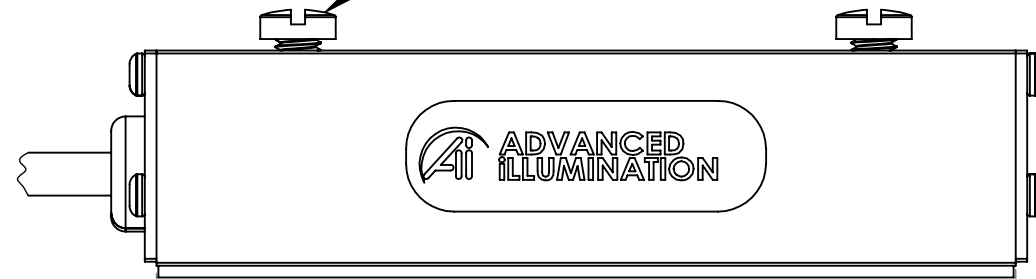
.24in [6.0mm]

M6 NUT CHANNEL

.14in [3.6mm] (TYP.)

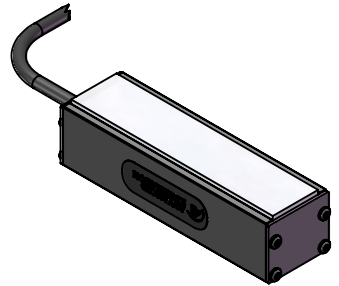


M6 MOUNTING SCREWS



REFER TO CHART ABOVE

12" UNIT WEIGHT: 1.01 lbs



FOR REFERENCE ONLY

PROPRIETARY AND CONFIDENTIAL
 THESE DRAWINGS AND SPECIFICATIONS ARE THE EXCLUSIVE PROPERTIES OF ADVANCED ILLUMINATION INCORPORATED ISSUED IN STRICT CONFIDENCE AND SHALL NOT, WITHOUT THE PRIOR WRITTEN PERMISSION OF ADVANCED ILLUMINATION INC BE REPRODUCED, COPIED OR USED FOR ANY PURPOSE WHATSOEVER EXCEPT THE MANUFACTURE OF ARTICLES FOR ADVANCED ILLUMINATION INC

CUT USING: -		UNLESS OTHERWISE SPECIFIED: SURFACE SHOULD BE FREE OF SCRATCHES, BURRS, AND DENTS DIMENSIONS ARE IN: INCHES <u>TOLERANCES</u> FRACTIONAL: 1/16 ANGULAR: MACH ± 1 BEND ± 1 TWO PLACE DECIMAL ± .010 THREE PLACE DECIMAL ± .005 MAKE FROM	DATE	NAME	440 STATE GARAGE ROAD, ROCHESTER, VERMONT 05767 TITLE: DRAWING, INSTALLATION, BL193 SIZE DWG. NO. REV A BL193 - SCALE: NTS C CODE: - SHEET 1 OF 1
			25-FEB-21	Ai	
			--	--	
			--	--	
NEXT ASSY	USED ON	FINISH			
APPLICATION					