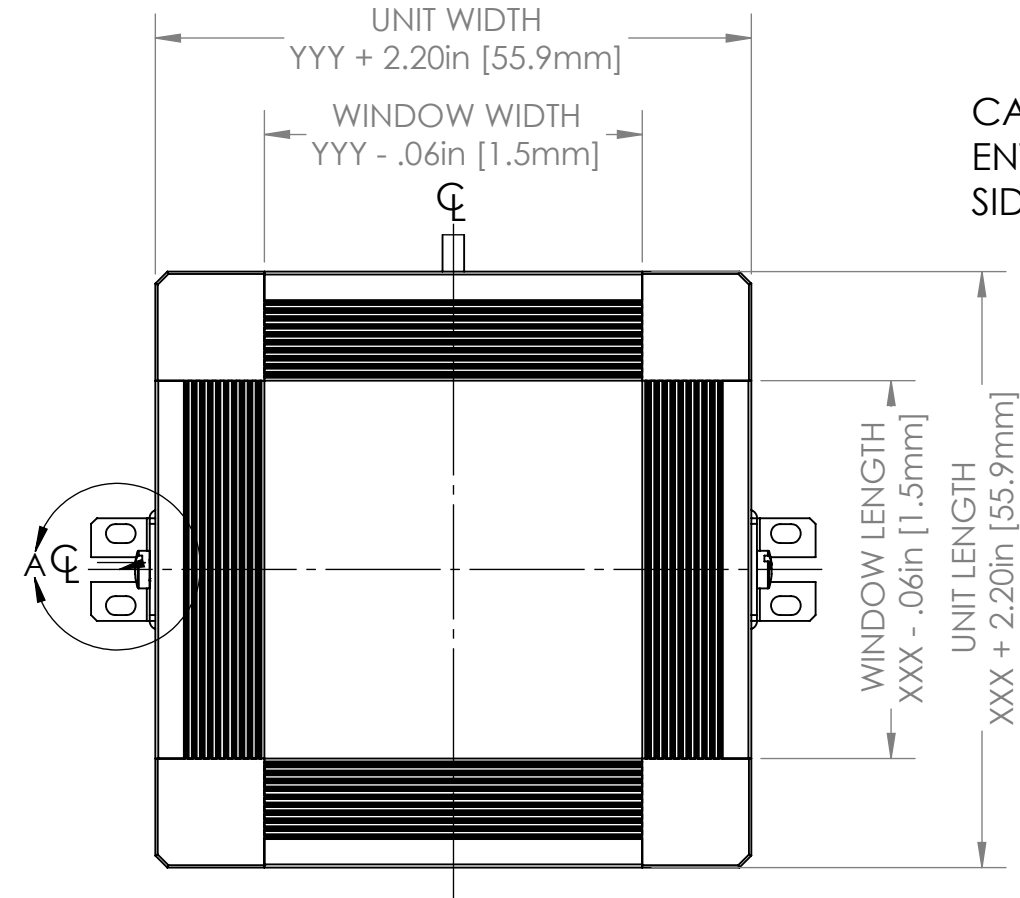
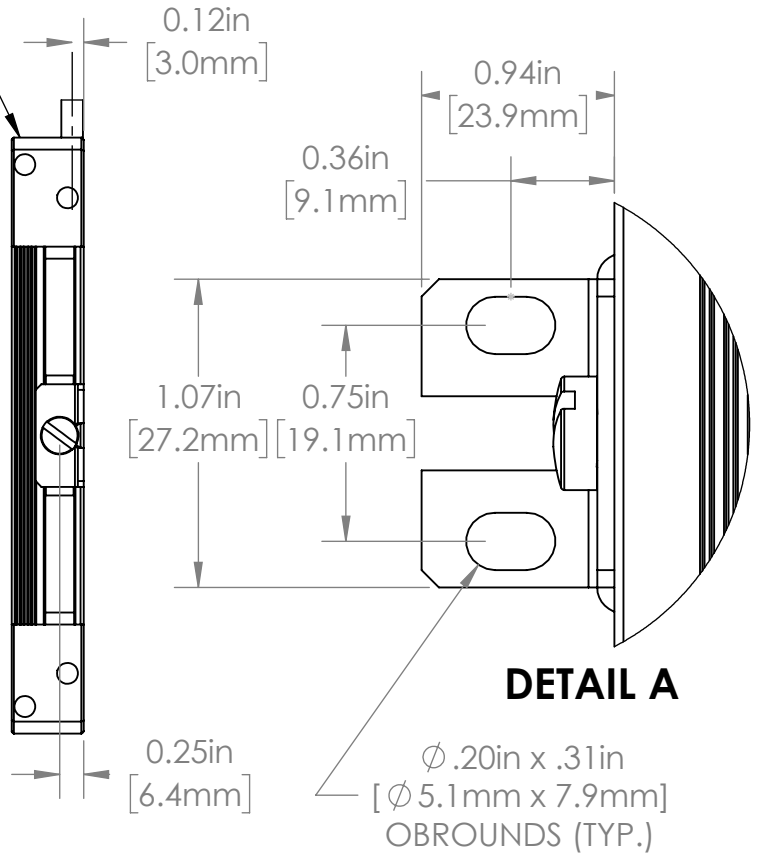


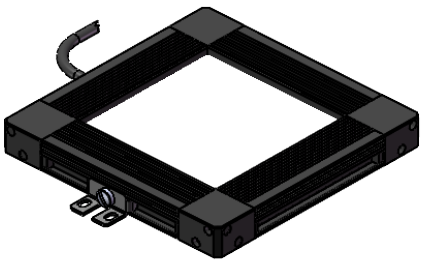
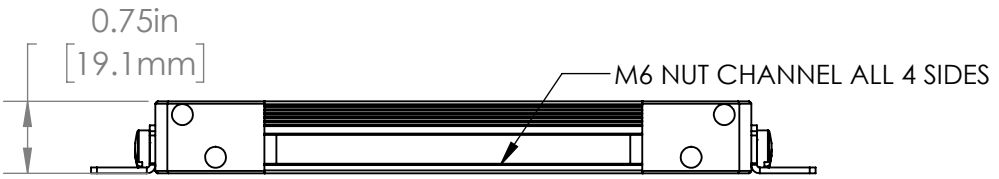
| REVISIONS | | | |
|-----------|---------------------------|------|--------|
| REV. | DESCRIPTION | DATE | DCN NO |
| - | FOR QUOTING PURPOSES ONLY | | |



CABLE ENTRY SIDE

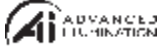


DETAIL A



FOR REFERENCE ONLY

4" X 4" UNIT WEIGHT: 1.19 lbs

| | | | | | | | |
|--------------|----------|--|-----------|---------|--|------------|--------------|
| CUT USING: - | | UNLESS OTHERWISE SPECIFIED: FOR QUOTING PURPOSES ONLY. DIMENSIONS ARE FOR REFERENCE ONLY. TOLERANCES ONLY GUARANTEED WHERE SPECIFIED. | DATE | NAME |  440 STATE GARAGE ROAD, ROCHESTER, VERMONT 05767 | | |
| | DRAWN | | 02-JUL-24 | T.MILLS | | | |
| | CHECKED | | -- | -- | TITLE: | | |
| | APPROVED | | -- | -- | DRAWING, INSTALLATION, BX2-XXXXYY | | |
| | MATERIAL | | | | | | |
| NEXT ASSY | USED ON | MAKE FROM | FINISH | | SIZE DWG. NO. | REV | |
| | | | | | A | BX2-XXXXYY | - |
| APPLICATION | | | | | SCALE: NTS/C CODE: 1250 | | SHEET 1 OF 1 |