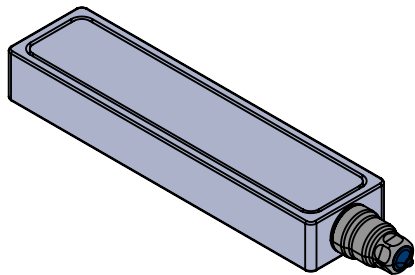
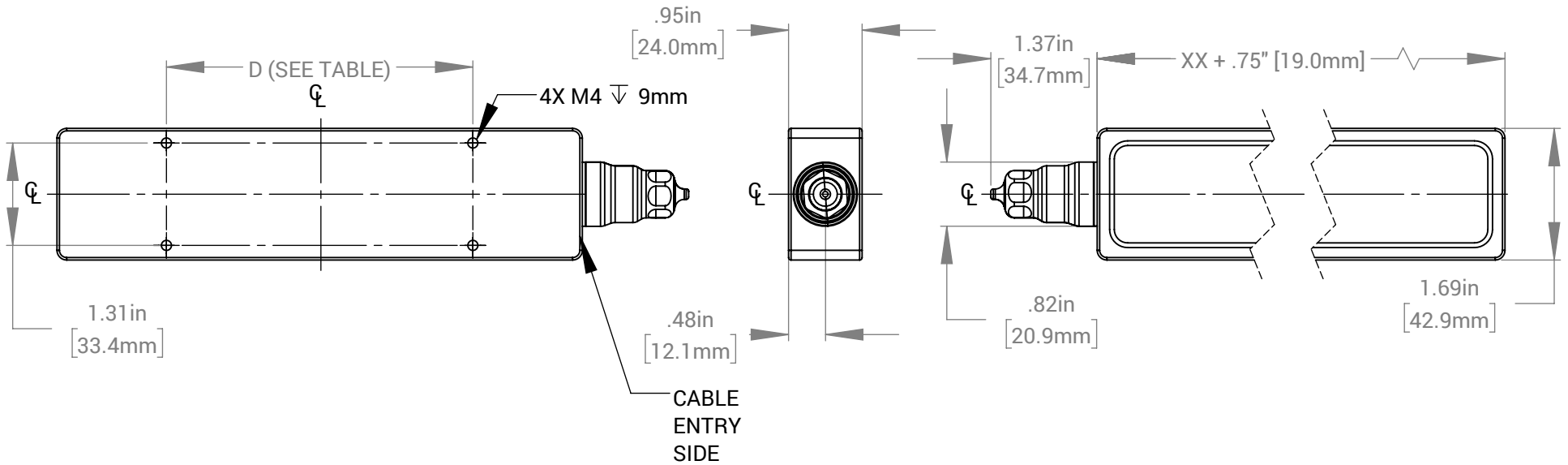


# LENGTH MATRIX

CONFIG. (AL247-XX)	MOUNTING HOLE DISTANCE CENTER TO CENTER IN INCHES [mm] (D)
AL247-06	3.94 [100mm]
AL247-12	6.89 [175mm]
AL247-18	9.84 [250mm]
AL247-24*	17.72 [450mm]

AL247-24 HAS ADDITIONAL HOLES AT D/2, DISTANCE BETWEEN HOLES IS 9.84 [225mm]

REVISIONS			
REV.	DESCRIPTION	DATE	DCN NO
-	FOR QUOTING PURPOSES ONLY		



FOR REFERENCE ONLY

**PROPRIETARY AND CONFIDENTIAL**  
 THESE DRAWINGS AND SPECIFICATIONS ARE THE EXCLUSIVE PROPERTIES OF ADVANCED ILLUMINATION INCORPORATED ISSUED IN STRICT CONFIDENCE AND SHALL NOT, WITHOUT THE PRIOR WRITTEN PERMISSION OF ADVANCED ILLUMINATION INC BE REPRODUCED, COPIED OR USED FOR ANY PURPOSE WHATSOEVER EXCEPT THE MANUFACTURE OF ARTICLES FOR ADVANCED ILLUMINATION INC

**6" UNIT WEIGHT: 0.92 lbs**

CUT USING: -		UNLESS OTHERWISE SPECIFIED:	DATE	NAME	<b>ADVANCED ILLUMINATION</b> 440 STATE GARAGE ROAD, ROCHESTER, VERMONT 05767
		SURFACE SHOULD BE FREE OF SCRATCHES, BURRS, AND DENTS	09-JAN-20	T.MILLS	
		DIMENSIONS ARE IN: INCHES	--	--	
		<u>TOLERANCES</u>	--	--	
		FRACTIONAL: 1/16	MATERIAL		TITLE: DRAWING, INSTALLATION, AL247
		ANGULAR: MACH $\pm$ 1 BEND $\pm$ 1	FINISH		
		TWO PLACE DECIMAL $\pm$ .010	-		SIZE DWG. NO. REV <b>A</b> AL247 -
		THREE PLACE DECIMAL $\pm$ .005	-		SCALE: NTS C CODE: SHEET 1 OF 1
NEXT ASSY	USED ON	MAKE FROM	-		
APPLICATION					