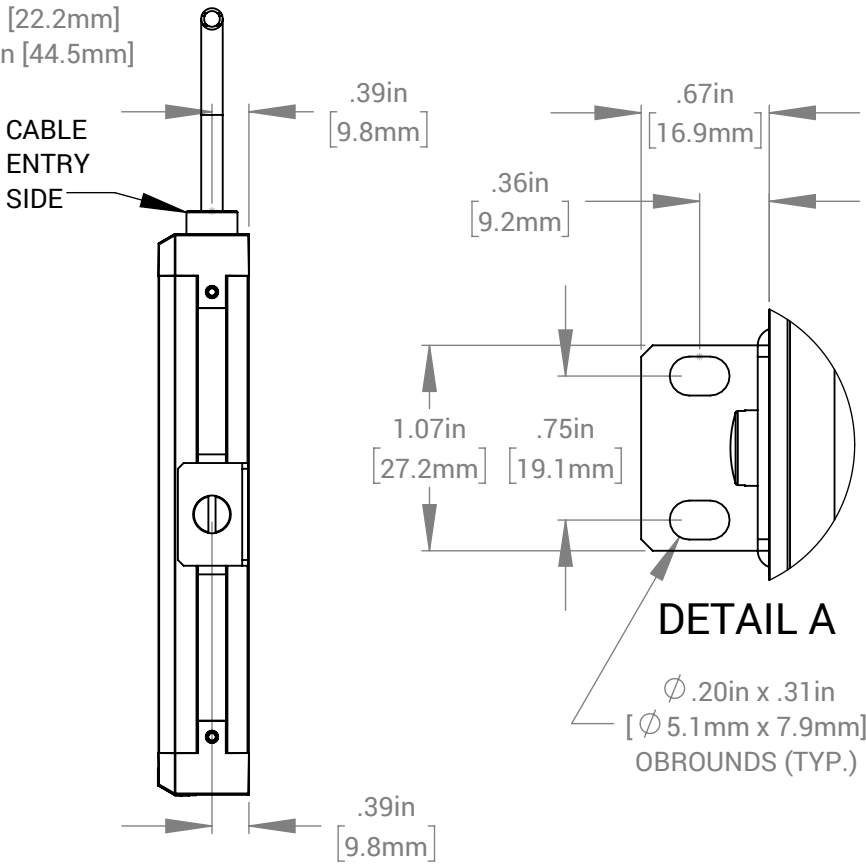
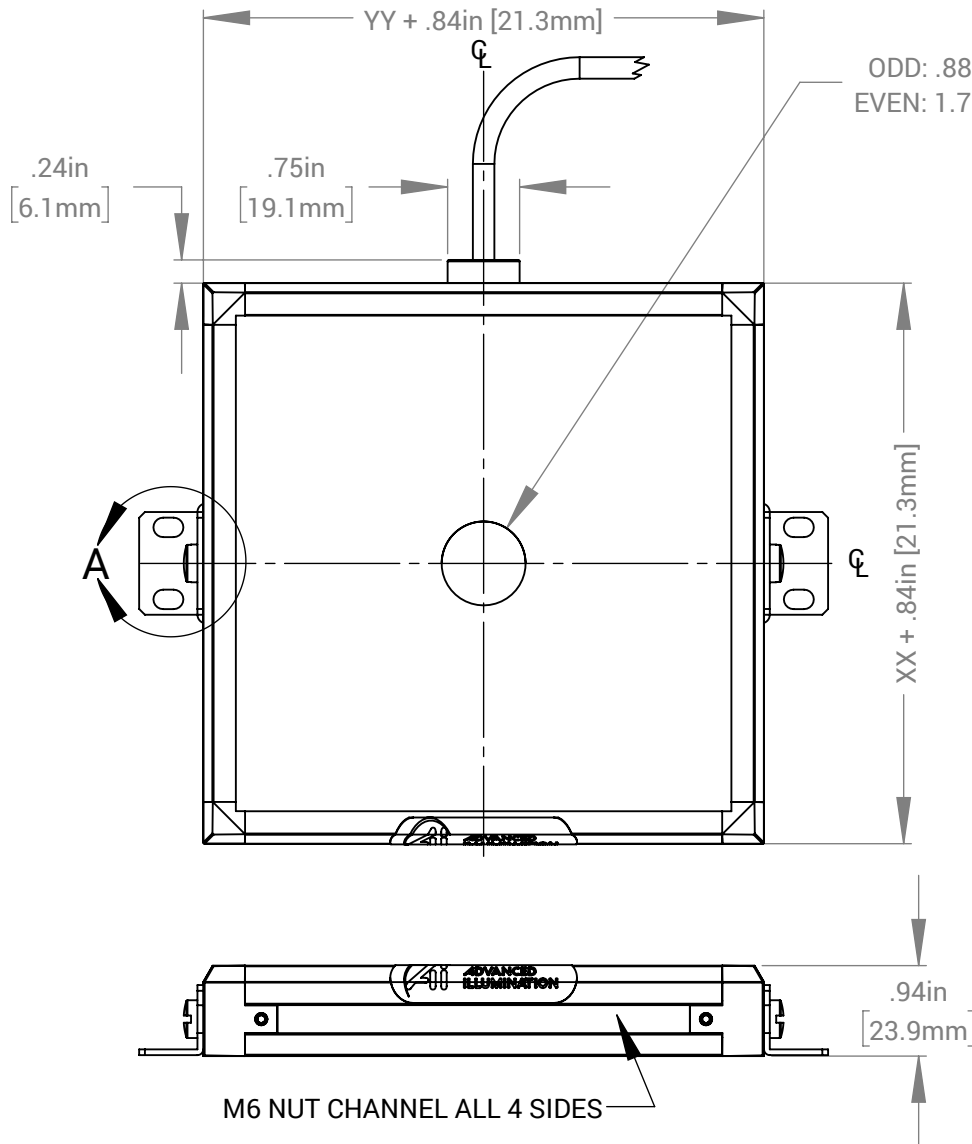
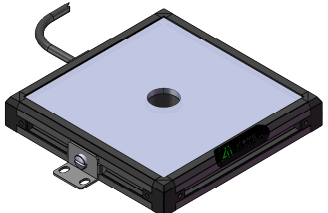


REVISIONS			
REV.	DESCRIPTION	DATE	DCN NO
-	FOR QUOTING PURPOSES ONLY		



ODD:
YY = WIDTH IN 1" ODD INCREMENTS FROM 3" TO 33"
XX = HEIGHT IN 1" ODD INCREMENTS FROM 3" TO 21"
EVEN:
YY = WIDTH IN 1" EVEN INCREMENTS FROM 4" TO 34"
XX = HEIGHT IN 1" EVEN INCREMENTS FROM 4" TO 22"

8" X 8" UNIT WEIGHT: 1.06 lbs



FOR REFERENCE ONLY

PROPRIETARY AND CONFIDENTIAL
THESE DRAWINGS AND SPECIFICATIONS ARE THE EXCLUSIVE PROPERTIES OF ADVANCED ILLUMINATION INCORPORATED ISSUED IN STRICT CONFIDENCE AND SHALL NOT, WITHOUT THE PRIOR WRITTEN PERMISSION OF ADVANCED ILLUMINATION INC BE REPRODUCED, COPIED OR USED FOR ANY PURPOSE WHATSOEVER EXCEPT THE MANUFACTURE OF ARTICLES FOR ADVANCED ILLUMINATION INC

CUT USING:		UNLESS OTHERWISE SPECIFIED:		DATE	NAME	ADVANCED ILLUMINATION 440 STATE GARAGE ROAD, ROCHESTER, VERMONT 05767
		SURFACE SHOULD BE FREE OF SCRATCHES, BURRS, AND DENTS		25-FEB-21	Ai	
		DIMENSIONS ARE IN: INCHES		--	--	
		TOLERANCES		--	--	
NEXT ASSY		USED ON		MATERIAL		TITLE: DRAWING, INSTALLATION, FDXXYY
APPLICATION				FINISH		
		FRACTIONAL ± 1/16		-		SIZE DWG. NO. REV A FDXXYY -
		ANGULAR: MACH ± 1 BEND ± 1		-		SCALE: NTS C CODE: - SHEET 1 OF 1
		TWO PLACE DECIMAL ± .010		-		
		THREE PLACE DECIMAL ± .005		-		
		MAKE FROM		-		