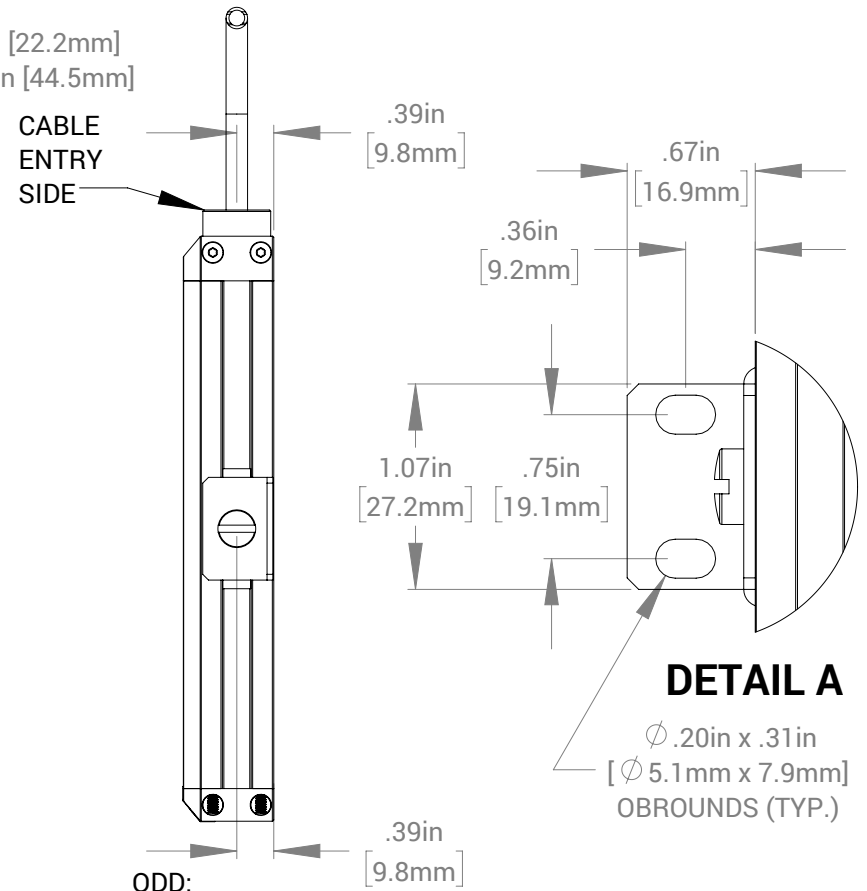
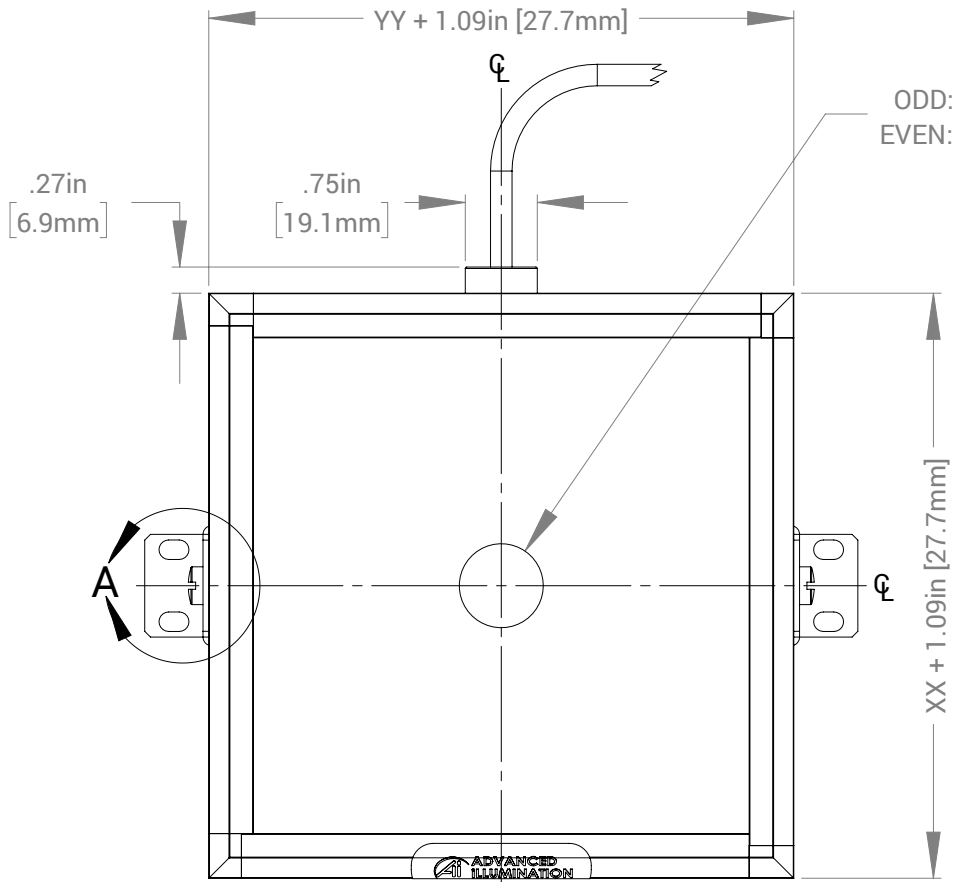


| REVISIONS | | | |
|-----------|---------------------------|------|--------|
| REV. | DESCRIPTION | DATE | DCN NO |
| - | FOR QUOTING PURPOSES ONLY | | |

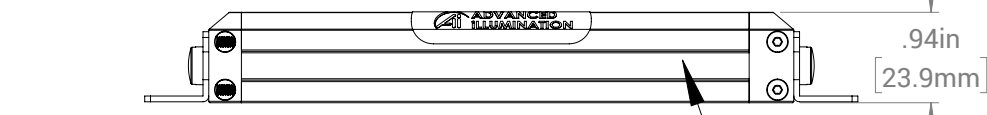


DETAIL A

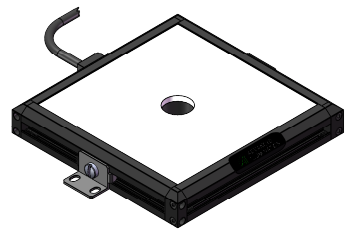
Ø .20in x .31in
[Ø 5.1mm x 7.9mm]
OBROUNDS (TYP.)

ODD:
YY = WIDTH IN ODD INCH INCREMENTS FROM 3" TO 45"
XX = HEIGHT IN ODD INCH INCREMENTS FROM 3" TO 45"
EVEN:
YY = WIDTH IN EVEN INCH INCREMENTS FROM 4" TO 46"
XX = HEIGHT IN EVEN INCH INCREMENTS FROM 4" TO 46"

8" X 8" UNIT WEIGHT: XXX lbs



M6 NUT CHANNEL ALL 4 SIDES



FOR REFERENCE ONLY

PROPRIETARY AND CONFIDENTIAL
THESE DRAWINGS AND SPECIFICATIONS ARE THE EXCLUSIVE PROPERTIES OF ADVANCED ILLUMINATION INCORPORATED ISSUED IN STRICT CONFIDENCE AND SHALL NOT, WITHOUT THE PRIOR WRITTEN PERMISSION OF ADVANCED ILLUMINATION INC BE REPRODUCED, COPIED OR USED FOR ANY PURPOSE WHATSOEVER EXCEPT THE MANUFACTURE OF ARTICLES FOR ADVANCED ILLUMINATION INC

| | | | | | | |
|--------------|---------|---|--|-----------|------|--|
| CUT USING: - | | UNLESS OTHERWISE SPECIFIED: | | DATE | NAME | ADVANCED ILLUMINATION 440 STATE GARAGE ROAD, ROCHESTER, VERMONT 05767 |
| | | SURFACE SHOULD BE FREE OF SCRATCHES, BURRS, AND DENTS | | 17-NOV-22 | SAN | |
| | | DIMENSIONS ARE IN: INCHES | | | | |
| | | TOLERANCES | | | | |
| | | FRACTIONAL: 1/16 | | MATERIAL | | TITLE: DRAWING, INSTALLATION, FD2-XXYY |
| | | ANGULAR: MACH ± 1 BEND ± 1 | | FINISH | | |
| | | TWO PLACE DECIMAL: .010 | | MATERIAL | | SIZE DWG. NO. REV A FD2-XXYY - |
| | | THREE PLACE DECIMAL: .005 | | MATERIAL | | SCALE: NTS C CODE: - SHEET 1 OF 1 |
| NEXT ASSY | USED ON | MAKE FROM | | | | |
| APPLICATION | | | | | | |