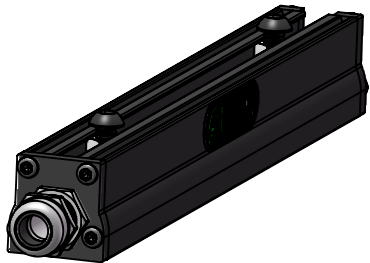
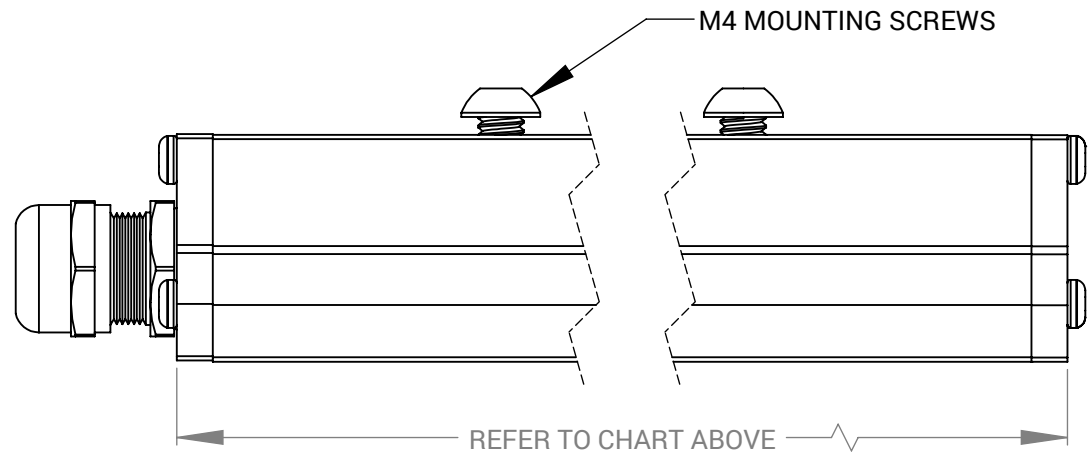
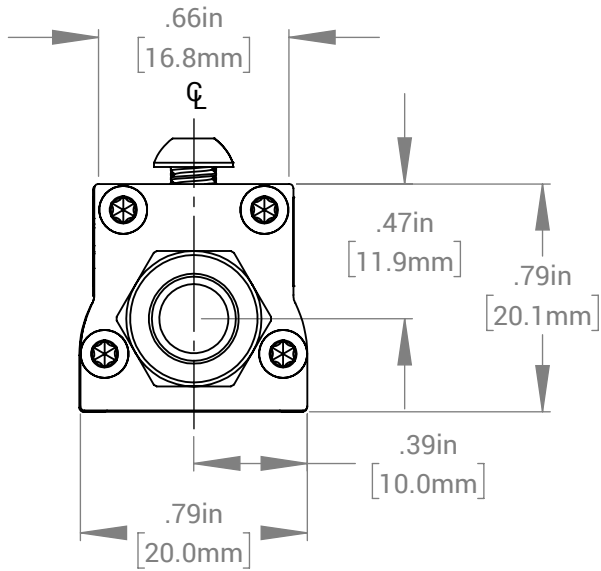
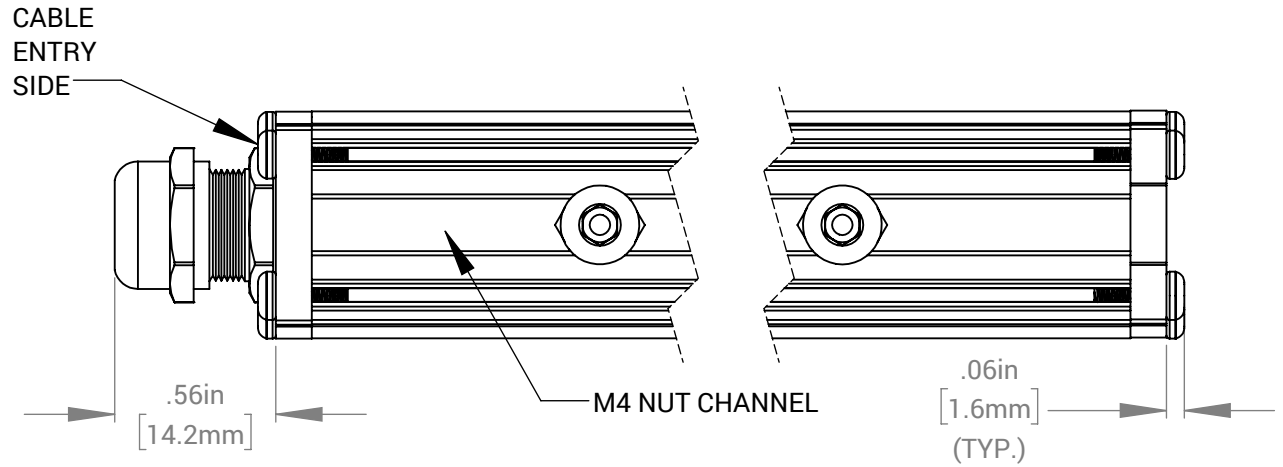


LL232 LENGTH MATRIX

PART #	LENGTH IN INCHES (mm)
LL232-050	2.25 (57.2 mm)
LL232-100	4.25 (108.0 mm)
LL232-150	6.25 (158.8 mm)
LL232-200	8.25 (209.6 mm)
LL232-250	10.25 (260.4 mm)
LL232-300	12.25 (311.2 mm)
LL232-350	14.25 (362.0 mm)
LL232-400	16.25 (412.8 mm)
LL232-450	18.25 (463.6 mm)
LL232-500	20.25 (514.4 mm)
LL232-550	22.25 (565.2 mm)
LL232-600	24.25 (616.0 mm)
LL232-650	26.25 (666.8 mm)
LL232-700	28.25 (717.6 mm)
LL232-750	30.25 (768.4 mm)

REVISIONS			
REV.	DESCRIPTION	DATE	DCN NO
-	FOR QUOTING PURPOSES ONLY		



FOR REFERENCE ONLY

PROPRIETARY AND CONFIDENTIAL
 THESE DRAWINGS AND SPECIFICATIONS ARE THE EXCLUSIVE PROPERTIES OF ADVANCED ILLUMINATION INCORPORATED ISSUED IN STRICT CONFIDENCE AND SHALL NOT, WITHOUT THE PRIOR WRITTEN PERMISSION OF ADVANCED ILLUMINATION INC BE REPRODUCED, COPIED OR USED FOR ANY PURPOSE WHATSOEVER EXCEPT THE MANUFACTURE OF ARTICLES FOR ADVANCED ILLUMINATION INC

6" UNIT WEIGHT: 1.68 lbs

CUT USING: -		UNLESS OTHERWISE SPECIFIED:	DATE	NAME	 440 STATE GARAGE ROAD, ROCHESTER, VERMONT 05767
		SURFACE SHOULD BE FREE OF SCRATCHES, BURRS, AND DENTS	26-FEB-21	Ai	
		DIMENSIONS ARE IN: INCHES	CHECKED	--	TITLE: DRAWING, INSTALLATION, LL232
		<u>TOLERANCES</u>	APPROVED	--	
		FRACTIONAL: 1/16	MATERIAL		SIZE DWG. NO. REV A LL232 -
		ANGULAR: MACH ± 1 BEND ± 1	FINISH		
NEXT ASSY	USED ON	TWO PLACE DECIMAL: .010			SCALE: NTS/C CODE: - SHEET 1 OF 1
		THREE PLACE DECIMAL: .005			
APPLICATION		MAKE FROM			