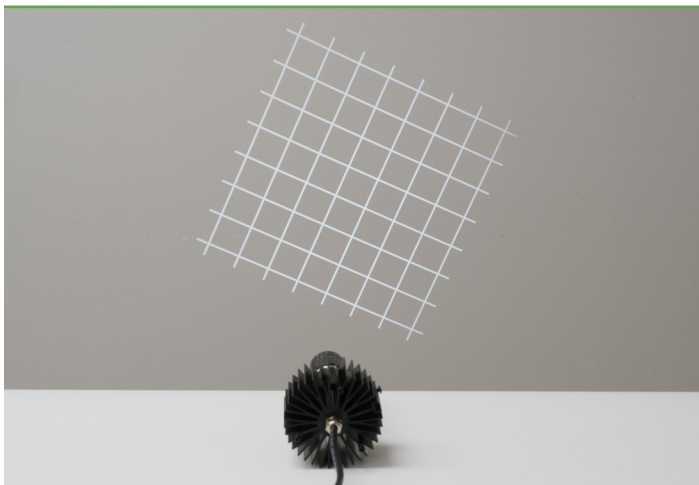
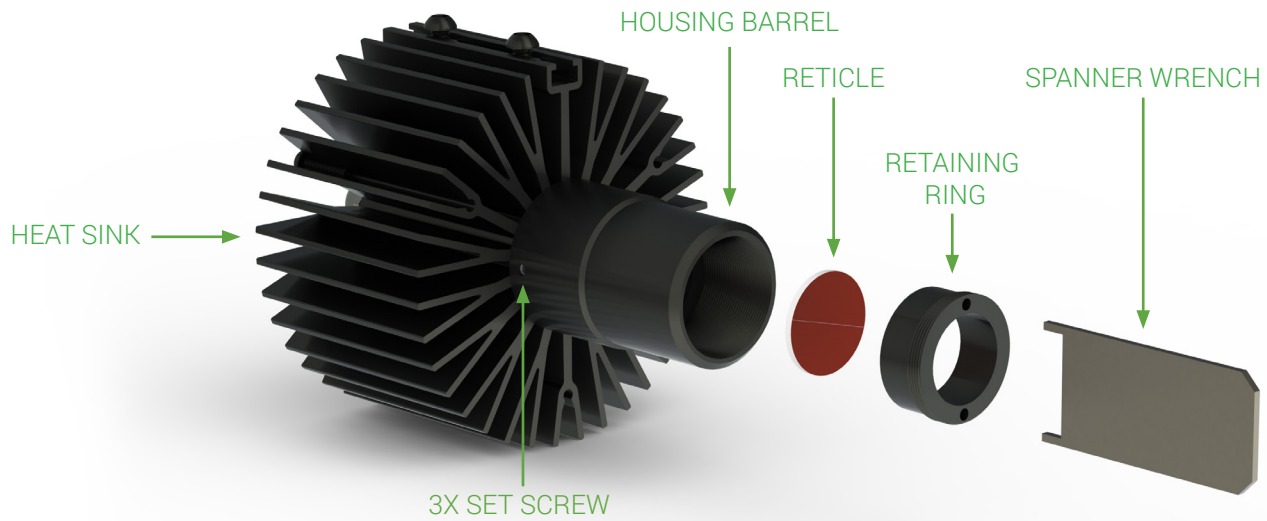
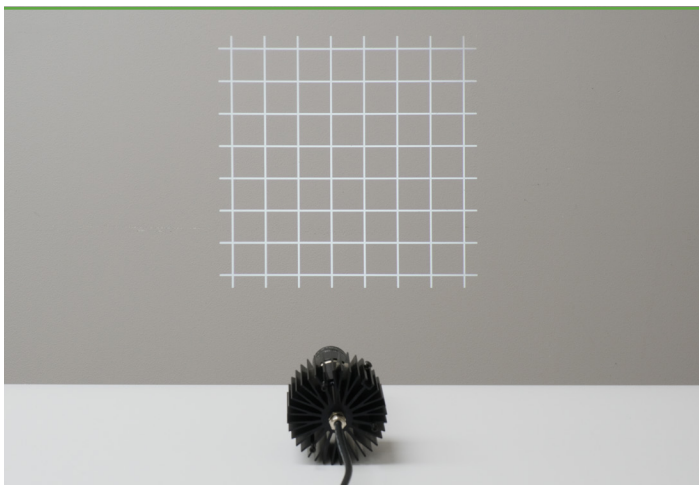


# RETICLE ROTATION INSTRUCTIONS



*Crooked reticle alignment in relation to the mounting channel*



*Corrected reticle alignment*

**1** Partially loosen all three set screws at the base of housing barrel using a M3 Allen key.



**2** Rotate the barrel until you've reached a desired reticle alignment position in relation to the light head's mounting points.



**3** Once positioned, tighten all three set screws until the barrel is fixed in place and all three set screws are fully seated.

*NOTE: Do not overtighten the set screws.*