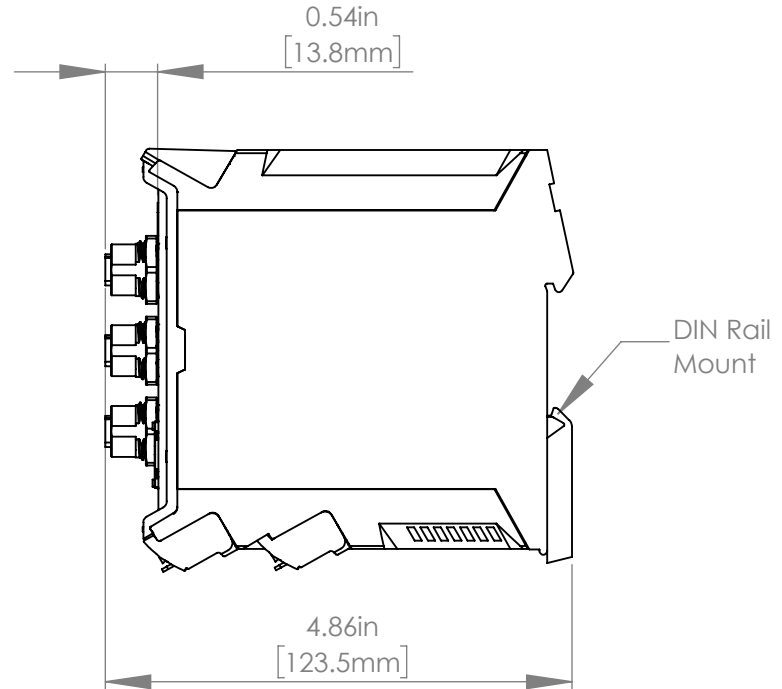
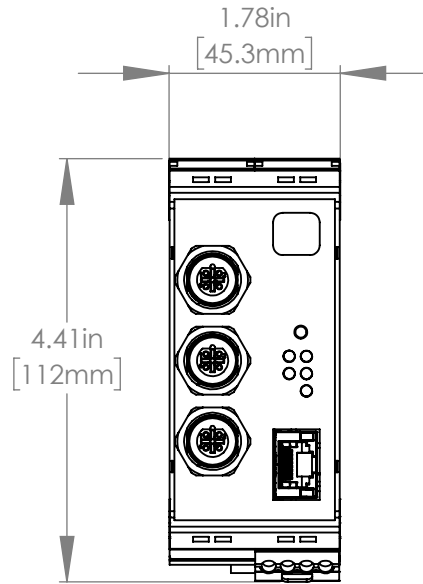



REVISIONS			
REV.	DESCRIPTION	DATE	DCN NO
-	FOR QUOTING PURPOSES ONLY	24-MAY-17	Ai
01	UPDATED: TO REVA	13-OCT-20	TAM



FOR REFERENCE ONLY

PROPRIETARY AND CONFIDENTIAL
 THESE DRAWINGS AND SPECIFICATIONS ARE THE EXCLUSIVE PROPERTIES OF ADVANCED ILLUMINATION INCORPORATED ISSUED IN STRICT CONFIDENCE AND SHALL NOT, WITHOUT THE PRIOR WRITTEN PERMISSION OF ADVANCED ILLUMINATION INC BE REPRODUCED, COPIED OR USED FOR ANY PURPOSE WHATSOEVER EXCEPT THE MANUFACTURE OF ARTICLES FOR ADVANCED ILLUMINATION INC

UNIT WEIGHT: 0.612 LBS

CUT USING: -		UNLESS OTHERWISE SPECIFIED:	DATE	NAME	 ADVANCED ILLUMINATION 440 STATE GARAGE ROAD, ROCHESTER, VERMONT 05767
		SURFACE SHOULD BE FREE OF SCRATCHES, BURRS, AND DENTS	13-OCT-20	T.MILLS	
		DIMENSIONS ARE IN: INCHES	CHECKED	--	TITLE: DRAWING, INSTALLATION, DCS-103E REVA
		<u>TOLERANCES</u>	APPROVED	--	
		FRACTIONAL: 1/16	MATERIAL		SIZE DWG. NO. A DCS-103E
		ANGULAR: MACH ± 1 BEND ± 1	AS NOTED ON INDIVIDUAL DRWS		
		TWO PLACE DECIMAL ± .010	FINISH		REV 01
		THREE PLACE DECIMAL ± .005	AS NOTED ON INDIVIDUAL DRWS		
NEXT ASSY	USED ON	MAKE FROM			SCALE: NTS C CODE: -
APPLICATION					