

Product Highlights

- High-Intensity Illumination in a Compact Package
- Broad Range of Wavelengths Available
- Washdown Version Available
- Convenient M4 T-Slot for Mounting

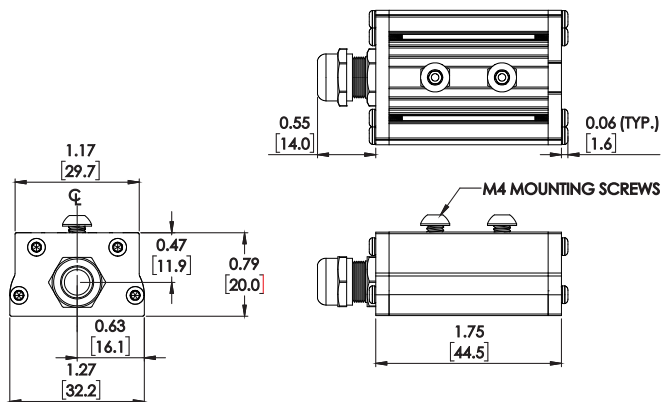


General Specifications

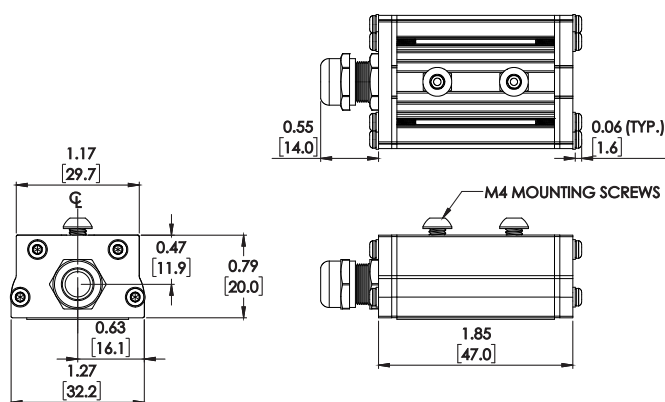
Electrical Specifications	Color	24V Current	All Other Controls
	470, 505, 530, WHI	N/A	0.19 A Max
	590, 625, 660, 730	N/A	0.18 A Max
	850, 940	N/A	0.14 A Max
	365, 375, 385, 395, 405, 455	N/A	0.13 A Max
Normal Operating Temperature	0 - 60°C		
Weight	42g (1.48 oz)		
Cable Information	Standard Cable - 2 meters long (80") - 105°C rated PVC jacket, foil shield with drain.		
Photobiological Risk Factor	Exempt Applicable Wavelengths: 850, 940 Group 1 (Low Risk) Applicable Wavelengths: 455, 470, 505, 530, 590, 625, 660, 730, WHI Group 2 (Moderate Risk) Applicable Wavelengths: 365, 375, 385, 395, 405		
Compliance	CE, RoHS, IEC 62471		
IP Rating	TBD		
Lumen Maintenance	L70 = 50,000 Hours		

Mechanical Specifications

NONSEALED



SEALED



DIMENSIONS IN INCHES [MILLIMETERS]

Part Number Key

Model	-	Wavelength	Connector /Control	Washdown (Optional)	Diffuser (Optional)	-	Alternative Connector (Optional)
SL244	-	XXX	XXX	X	X	-	XXX
SL244	-	(UV) 365 (UV) 375 (UV) 385 (UV) 395 (VIOLET) 405 (ROYAL BLUE) 455 (BLUE) 470 (CYAN) 505 (GREEN) 530 (AMBER) 590 (RED ORANGE) 625 (RED) 660 (FAR RED) 730 (IR) 850 (IR) 940 (WHITE) WHI	C1 C5 Q4 IC I3 I3S	W	D ²	-	M12 ¹

Ex: SL244-660I3D-M12
SL244-WHIC1

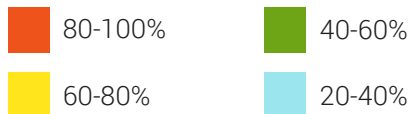
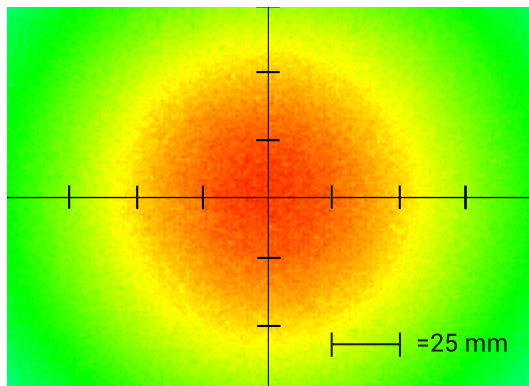
BUILD TO ORDER: SHIPS WITHIN 2 WEEKS

¹ AVAILABLE WITH IC, I3, I3S, AND 24V

² DIFFUSER NOT AVAILABLE WITH WAVELENGTHS OF 365, 375, 385, 395, AND 405

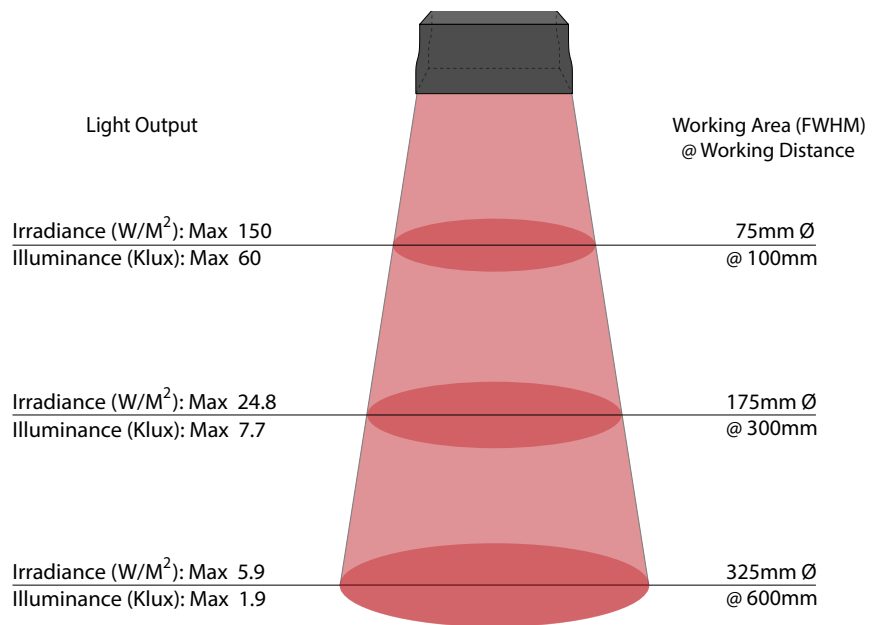
Optical Performance

Intensity Distribution



Optical measurement taken using SL244-625I3 @ 300 mm

Area of Illuminance & Intensity



Operation and Wiring

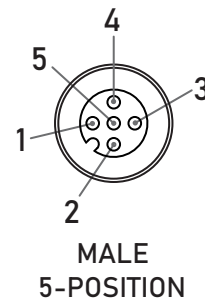
ICS 2 (IC)

PIN (M12)	FUNCTION	WIRE COLOR
1	24V DC	BROWN
2	0-10V ANALOG CONTROL	WHITE
3	DC GND	BLUE
4	GLO	BLACK
5	N/A	GRAY

ICS 3 (I3 & I3S)

PIN (M12)	FUNCTION	WIRE COLOR
1	24V DC	BROWN
2	SHIELD	WHITE
3	DC GND	BLUE
4	PNP/ACTIVE HIGH TRIGGER	BLACK
5	0-10V ANALOG CONTROL	GRAY

Optional M12 Pinout



Connector | Control Options

C1 CONNECTOR	C5 CONNECTOR	Q4 CONNECTOR	ICS 2 (IC)	ICS 3 (I3)	ICS 3S (I3S)
For use with: DCS-100E & DCS-103E	For use with: Pulsar 320	For use with DCS-400E & DCS-800E	In-line Continuous Controller Included	In-line Strobe/Continuous Controller Included	In-line Strobe/Continuous Controller Included
Strobe/Continuous Controllers	High Power Strobe Only Controller	Sequenced Strobe/Continuous Controllers	24V Power Supply Required	Default On	Default Off
Ordered Separately	Ordered Separately	Ordered Separately	Flying/Tinned Leads	24V Power Supply Required	24V Power Supply Required
				Flying/Tinned Leads	Flying/Tinned Leads

Note: Selecting a **Q4 connection** will result in 4 spot lights wired to 1 connector, each spot light operating on a single channel.

Warranty Information

Every Advanced illumination, Inc. (Ai) product is thoroughly inspected and tested before leaving the factory. Products are warranted to be free of defects in workmanship and materials for a period of two years from the original date of purchase. Should a defect develop during this period, please contact Ai Customer Service or your Ai distributor for a Return Merchandise Authorization (RMA), and return the complete product, freight prepaid, to Ai. If a defect is found, Ai will - at our discretion - repair or replace the product without charge. Ai claims no liability for any implied warranties, including "merchantability" and "fitness for a specific purpose."

Electromagnetic Compatibility

This product was tested and complies with the regulatory requirements and limits for electromagnetic compatibility (EMC) as stated in the product specifications. These requirements and limits are designed to provide reasonable protection against harmful interference only when the product is operated in its intended industrial electromagnetic environment. To minimize the potential for electromagnetic interference or unacceptable performance degradation, install and use this product in strict accordance with the instructions in the product documentation.

Customer Service

For information on existing orders, or to make an order adjustment, contact us Monday through Friday 8:00 am to 5:00 pm, EST or send an email to orders@advill.com.

Company Information

Advanced Illumination

440 State Garage Road, Rochester VT. 05767

Phone: 802.767.3830

Fax: 802.767.2636

Email: info@advancedillumination.com

Web: advancedillumination.com

© 2019 Advanced Illumination Inc. All rights reserved