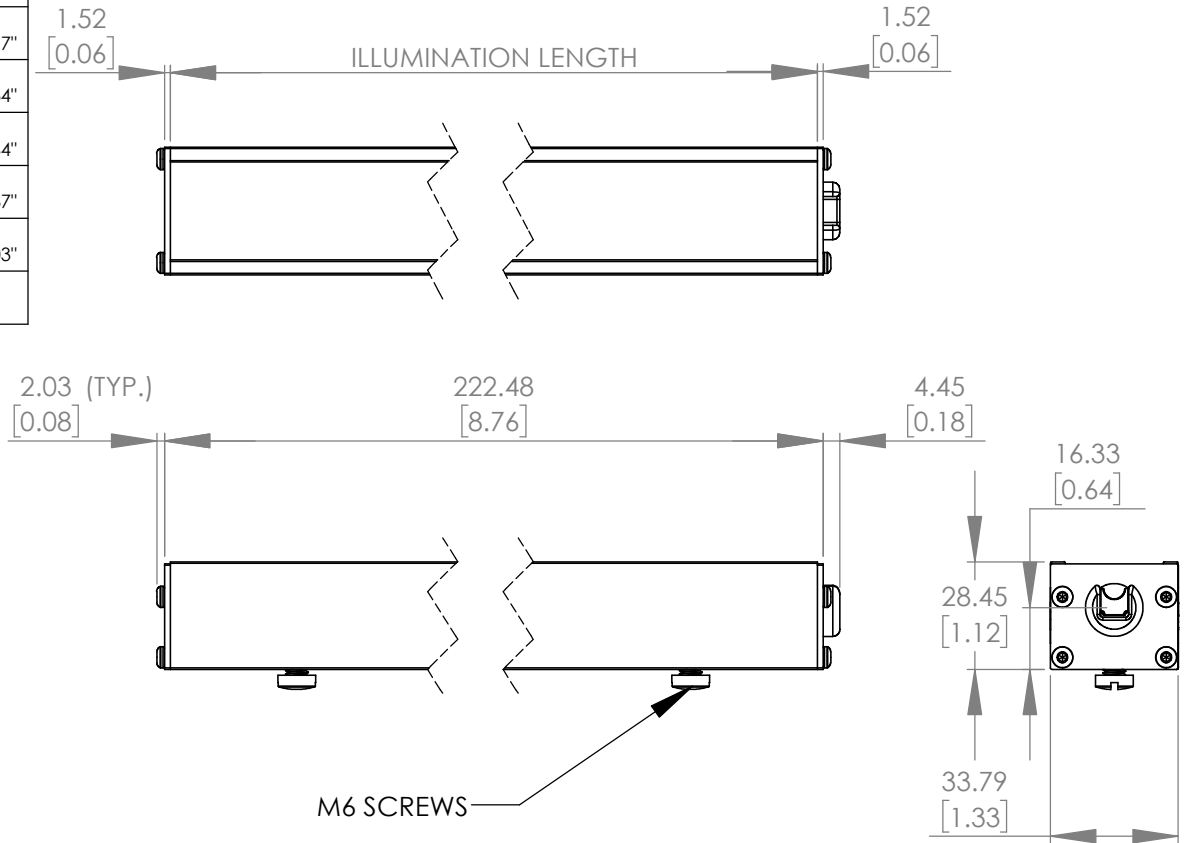


ILLUMINATION LENGTH MATRIX		
MODEL (06 INCREMENTS)	# OF LED'S (INCREMENTS OF 6)	LENGTH
AL150006 - AL150072	6 - 72	$((LED'S/6)*1.02) + .479$ EX. AL150018 = $((18/6)*1.02) + .479 = 3.54"$
AL150078 - AL150144	78 - 144	$((LED'S/6)*1.02) + .485$ EX. AL150090 = $((90/6)*1.02) + .485 = 15.79"$
AL150150 - AL150216	150 - 216	$((LED'S/6)*1.02) + .490$ EX. AL150204 = $((204/6)*1.02) + .490 = 35.17"$
AL150222 - AL150288	222 - 288	$((LED'S/6)*1.02) + .495$ EX. AL150252 = $((252/6)*1.02) + .495 = 43.34"$
AL150294 - AL150360	294 - 360	$((LED'S/6)*1.02) + .500$ EX. AL150342 = $((342/6)*1.02) + .500 = 58.64"$
AL150366 - AL150432	366 - 432	$((LED'S/6)*1.02) + .505$ EX. AL150408 = $((408/6)*1.02) + .505 = 69.87"$
AL150438 - AL150480	438 - 480	$((LED'S/6)*1.02) + .510$ EX. AL150456 = $((456/6)*1.02) + .510 = 78.03"$

REVISIONS			
REV.	DESCRIPTION	DATE	DCN NO
-	FOR REFERENCE ONLY	31-AUG-18	TAM



FOR REFERENCE ONLY

PROPRIETARY AND CONFIDENTIAL
 THESE DRAWINGS AND SPECIFICATIONS ARE THE EXCLUSIVE PROPERTIES OF ADVANCED ILLUMINATION INCORPORATED ISSUED IN STRICT CONFIDENCE AND SHALL NOT, WITHOUT THE PRIOR WRITTEN PERMISSION OF ADVANCED ILLUMINATION INC BE REPRODUCED, COPIED OR USED FOR ANY PURPOSE WHATSOEVER EXCEPT THE MANUFACTURE OF ARTICLES FOR ADVANCED ILLUMINATION INC

CUT USING:		UNLESS OTHERWISE SPECIFIED: SURFACE SHOULD BE FREE OF SCRATCHES, BURRS, AND DENTS DIMENSIONS ARE IN: INCHES <u>TOLERANCES</u> FRACTIONAL ± 1/16 ANGULAR: MACH ± 1 BEND ± 1 TWO PLACE DECIMAL ± .010 THREE PLACE DECIMAL ± .005 MAKE FROM	DATE	NAME	 440 STATE GARAGE ROAD, ROCHESTER, VERMONT 05767
			08/31/2018	T.MILLS	
			CHECKED	--	TITLE: DRAWING, INSTALLATION, AL150048
			APPROVED	--	
NEXT ASSY		USED ON	MATERIAL		SIZE DWG. NO.
			AS NOTED ON INDIVIDUAL DRWS		A AL150048
APPLICATION			FINISH		REV
			AS NOTED ON INDIVIDUAL DRWS		-
SCALE: NTS/C CODE: 1250					SHEET 1 OF 1