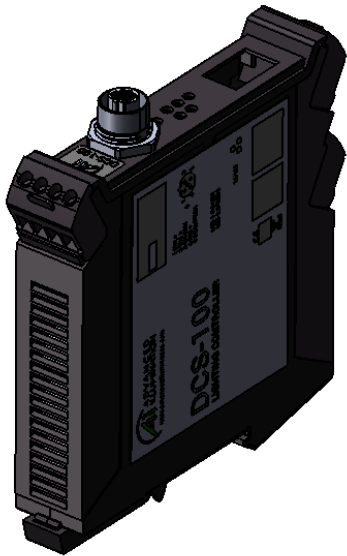
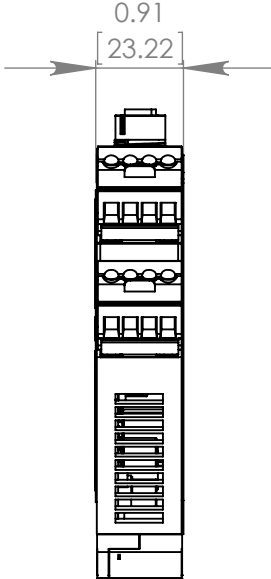
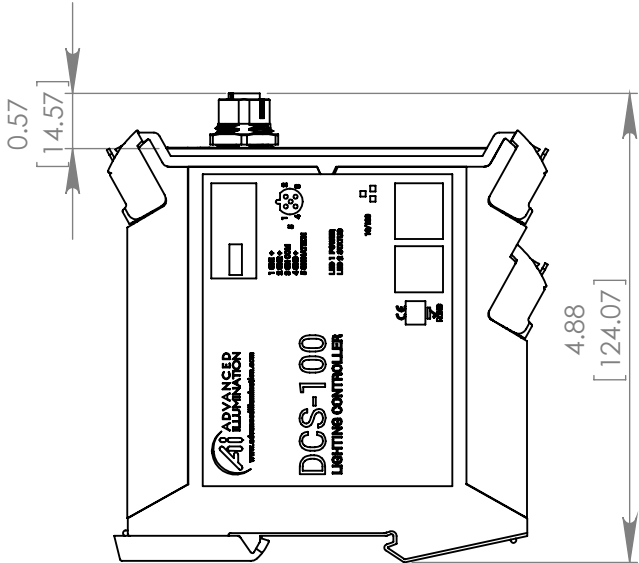
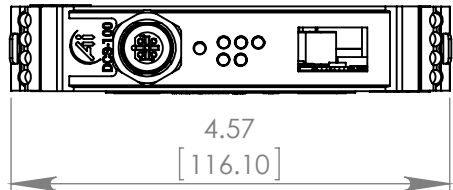


REVISIONS			
REV.	DESCRIPTION	DATE	DCN NO



FOR REFERENCE ONLY

PROPRIETARY AND CONFIDENTIAL
 THESE DRAWINGS AND SPECIFICATIONS ARE THE EXCLUSIVE PROPERTIES OF ADVANCED ILLUMINATION INCORPORATED ISSUED IN STRICT CONFIDENCE AND SHALL NOT, WITHOUT THE PRIOR WRITTEN PERMISSION OF ADVANCED ILLUMINATION INC BE REPRODUCED, COPIED OR USED FOR ANY PURPOSE WHATSOEVER EXCEPT THE MANUFACTURE OF ARTICLES FOR ADVANCED ILLUMINATION INC

		UNLESS OTHERWISE SPECIFIED:		DATE	NAME
		SURFACE SHOULD BE FREE OF SCRATCHES, BURRS, AND DENTS	DRAWN	-	-
		DIMENSIONS ARE IN: INCHES	CHECKED	--	--
		<u>TOLERANCES</u>	APPROVED	--	--
		FRACTIONAL ± 1/16	MATERIAL		
		ANGULAR: MACH ± 1 BEND ± 1			
		TWO PLACE DECIMAL ± .010	FINISH		
		THREE PLACE DECIMAL ± .005			
NEXT ASSY	USED ON	MAKE FROM			
	APPLICATION				

ADVANCED ILLUMINATION
 440 STATE GARAGE ROAD, ROCHESTER, VERMONT 05767

TITLE:
 DWG, ASSY, CONTROLLER,
 DCS100E

SIZE	DWG. NO.	REV
A	-	-

SCALE: NTS C CODE: SHEET 1 OF 1