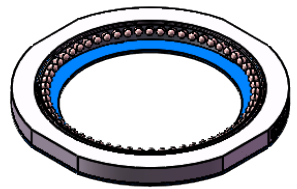
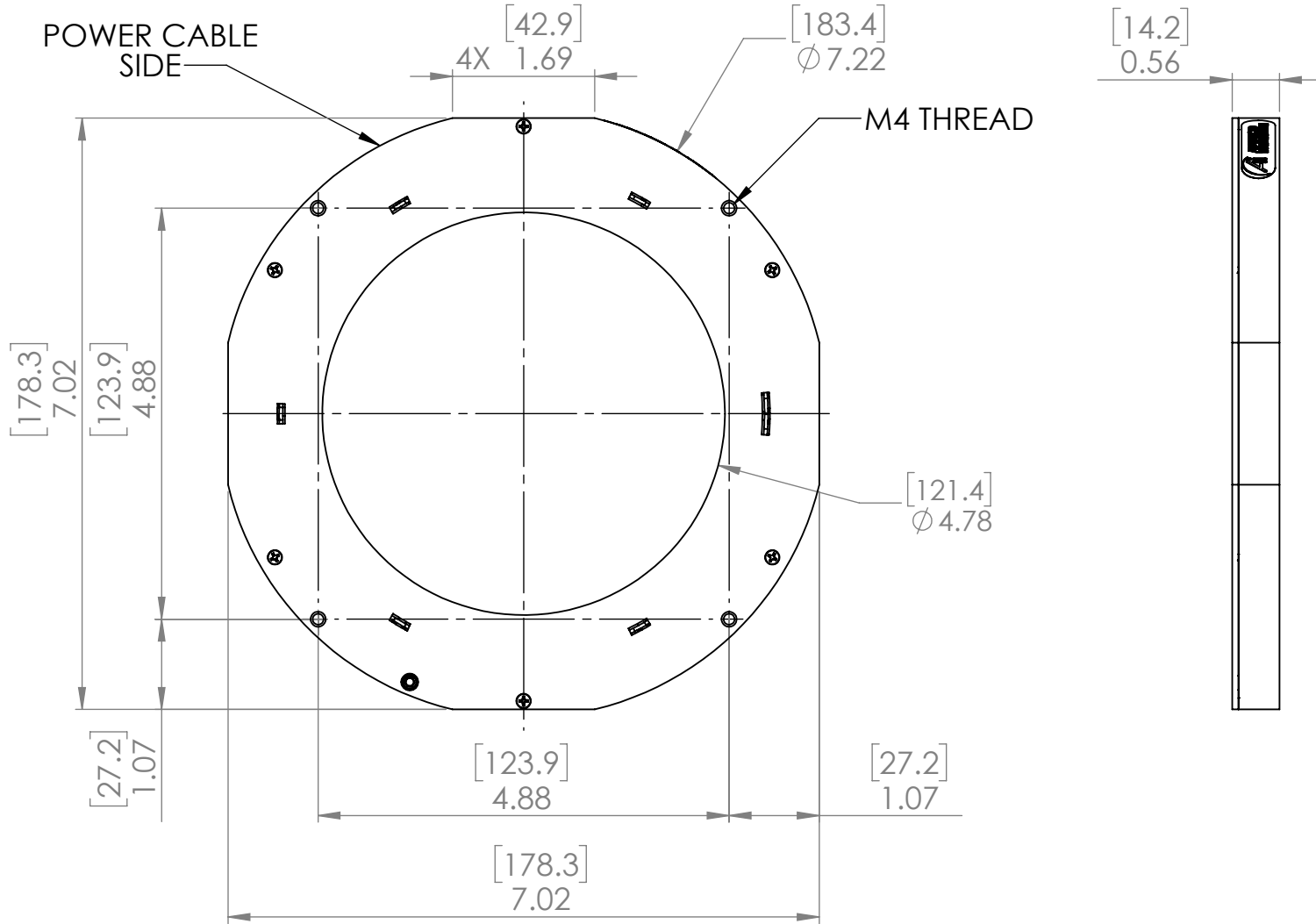


REVISIONS			
REV.	DESCRIPTION	DATE	DCN NO
-	FOR QUOTING PURPOSES ONLY		



FOR REFERENCE ONLY

PROPRIETARY AND CONFIDENTIAL
 THESE DRAWINGS AND SPECIFICATIONS ARE THE EXCLUSIVE PROPERTIES OF ADVANCED ILLUMINATION INCORPORATED AND SHALL NOT, WITHOUT THE PRIOR WRITTEN PERMISSION OF ADVANCED ILLUMINATION INC BE REPRODUCED, COPIED OR USED FOR ANY PURPOSE WHATSOEVER EXCEPT THE MANUFACTURE OF ARTICLES FOR ADVANCED ILLUMINATION INC

CUT USING: -	
NEXT ASSY	USED ON
APPLICATION	

UNLESS OTHERWISE SPECIFIED:
 SURFACE SHOULD BE FREE OF SCRATCHES, BURRS, AND DENTS
 DIMENSIONS ARE IN: INCHES
TOLERANCES
 FRACTIONAL: ± 1/16
 ANGULAR: MACH ± 1 BEND ± 1
 TWO PLACE DECIMAL ± .010
 THREE PLACE DECIMAL ± .005
 MAKE FROM

DRAWN	DATE	NAME
CHECKED	09-OCT-18	T.MILLS
APPROVED	--	--
MATERIAL		
AS NOTED ON INDIVIDUAL DRWS		
FINISH		
AS NOTED ON INDIVIDUAL DRWS		

AI ADVANCED ILLUMINATION 440 STATE GARAGE ROAD, ROCHESTER, VERMONT 05767

TITLE: DRAWING, INSTALLATION, DF242

SIZE	DWG. NO.	REV
A	DF242	-

SCALE: NTS C CODE: 1250 SHEET 1 OF 1