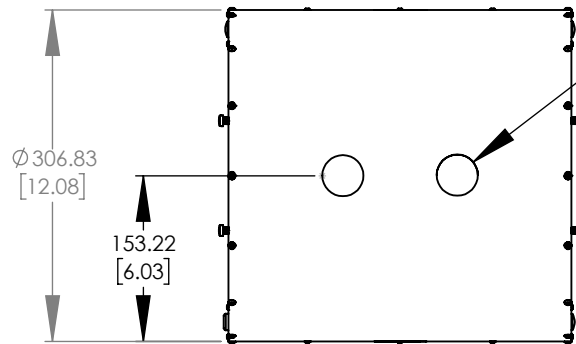
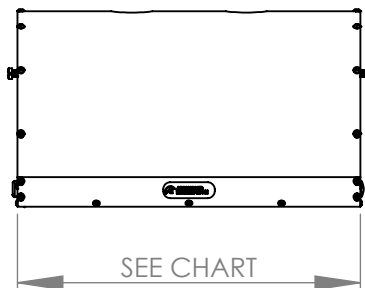


DLO67 LENGTH MATRIX		
PART #	LENGTH IN MM (INCHES)	WEIGHT
DL06706	165 (6.5)	2.55lbs/41oz/1162g
DL06712	318 (12.5)	5.75lbs/92oz/2608g
DL06718	470 (18.5)	8.95lbs/143 oz/4054g
DL06724	622 (24.5)	12.15lbs/194oz/5500g
DL06730	775 (30.5)	15.35lbs/246oz/6974g
DL06736	927 (36.5)	18.55lbs/297oz/8420g

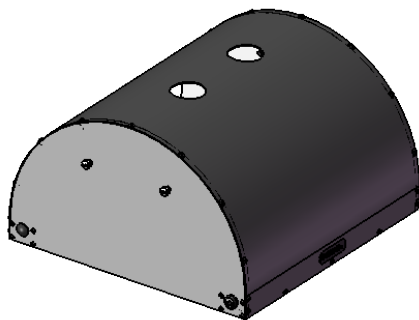
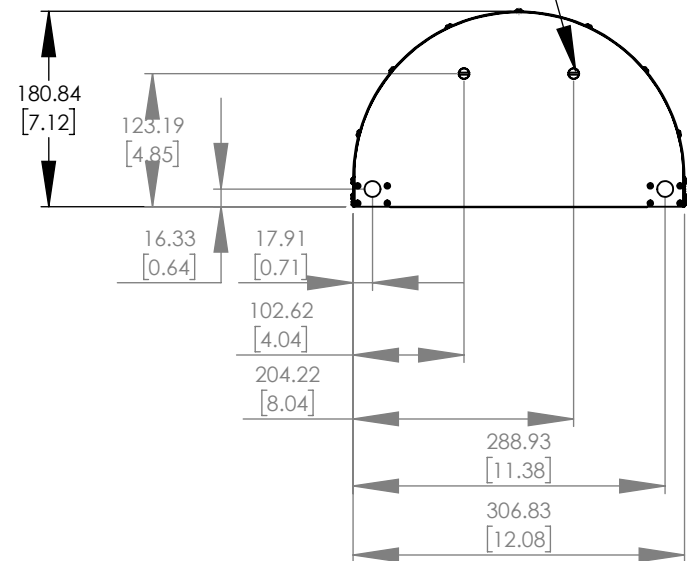
REVISIONS			
REV.	DESCRIPTION	DATE	DCN NO



MAX # OF VIEW PORTS	
6"	2
12"	3
18"-36"	4



4X M6x8 SCREWS



FOR REFERENCE ONLY

PROPRIETARY AND CONFIDENTIAL
 THESE DRAWINGS AND SPECIFICATIONS ARE THE EXCLUSIVE PROPERTIES OF ADVANCED ILLUMINATION INCORPORATED ISSUED IN STRICT CONFIDENCE AND SHALL NOT, WITHOUT THE PRIOR WRITTEN PERMISSION OF ADVANCED ILLUMINATION INC BE REPRODUCED, COPIED OR USED FOR ANY PURPOSE WHATSOEVER EXCEPT FOR THE MANUFACTURE OF ARTICLES FOR ADVANCED ILLUMINATION INC

		UNLESS OTHERWISE SPECIFIED:	DATE	NAME
		SURFACE SHOULD BE FREE OF SCRATCHES, BURRS, AND DENTS	-	-
		DIMENSIONS ARE IN: INCHES	--	--
		<u>TOLERANCES</u>	APPROVED	--
		FRACTIONAL ± 1/16	MATERIAL	-
		ANGULAR: MACH ± 1 BEND ± 1	FINISH	-
		TWO PLACE DECIMAL ± .010		
		THREE PLACE DECIMAL ± .005		
NEXT ASSY	USED ON	MAKE FROM		
	APPLICATION			

ADVANCED ILLUMINATION		
440 STATE GARAGE ROAD, ROCHESTER, VERMONT 05767		
TITLE: DRAWING, INSTALLATION, DL067		
SIZE	DWG. NO.	REV
A	-	-
SCALE: NTS/C CODE:		SHEET 1 OF 1