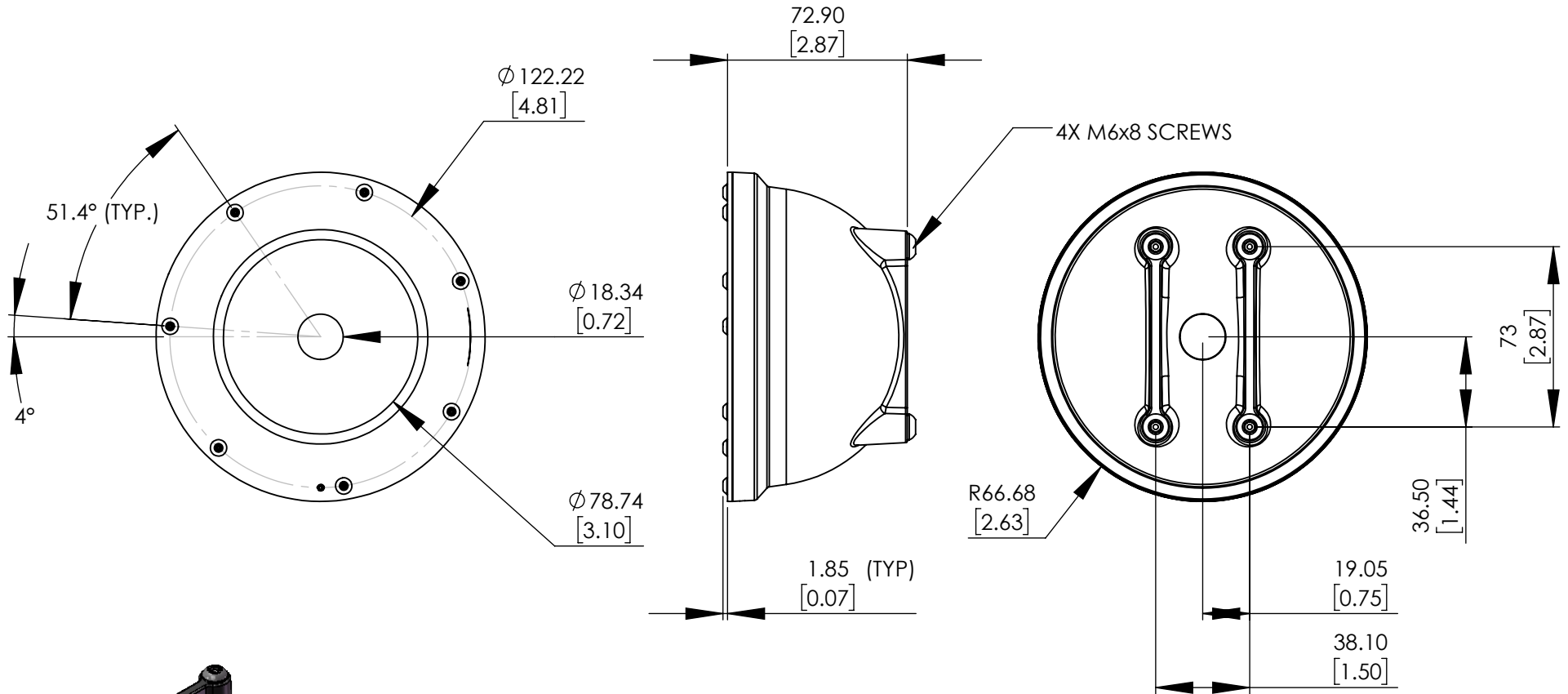


REVISIONS			
REV.	DESCRIPTION	DATE	DCN NO



FOR REFERENCE ONLY

PROPRIETARY AND CONFIDENTIAL
 THESE DRAWINGS AND SPECIFICATIONS ARE THE EXCLUSIVE PROPERTIES OF ADVANCED ILLUMINATION INCORPORATED ISSUED IN STRICT CONFIDENCE AND SHALL NOT, WITHOUT THE PRIOR WRITTEN PERMISSION OF ADVANCED ILLUMINATION INC BE REPRODUCED, COPIED OR USED FOR ANY PURPOSE WHATSOEVER EXCEPT THE MANUFACTURE OF ARTICLES FOR ADVANCED ILLUMINATION INC

		UNLESS OTHERWISE SPECIFIED:	DATE	NAME	ADVANCED ILLUMINATION 440 STATE GARAGE ROAD, ROCHESTER, VERMONT 05767
		SURFACE SHOULD BE FREE OF SCRATCHES, BURRS, AND DENTS	DRAWN	-	
		DIMENSIONS ARE IN: INCHES	CHECKED	--	
		<u>TOLERANCES</u>	APPROVED	--	
		FRACTIONAL $\pm 1/16$	MATERIAL		TITLE: DRAWING, INSTALLATION, DL194
		ANGULAR: MACH ± 1 BEND ± 1	-		
		TWO PLACE DECIMAL $\pm .010$	FINISH		SIZE DWG. NO.
		THREE PLACE DECIMAL $\pm .005$	-		A DL194
NEXT ASSY	USED ON	MAKE FROM			REV
					-
APPLICATION			SCALE: NTS/C CODE:		SHEET 1 OF 1

UNIT WEIGHT = 0.97 LBS