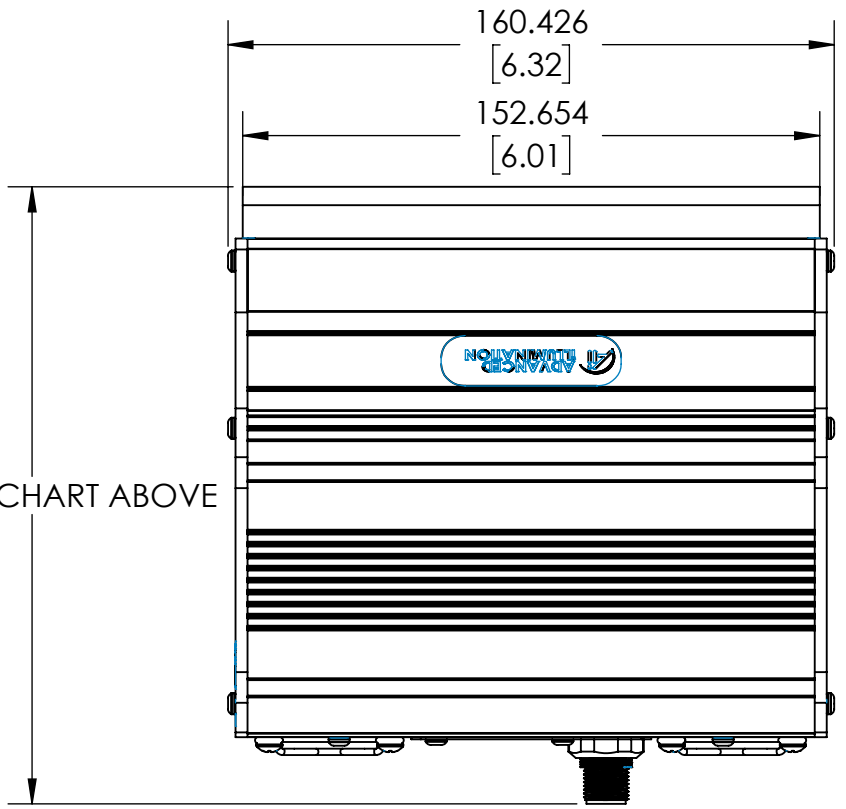
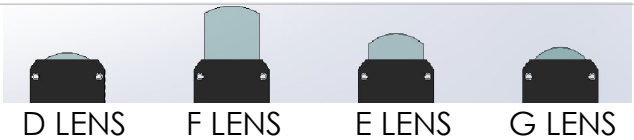
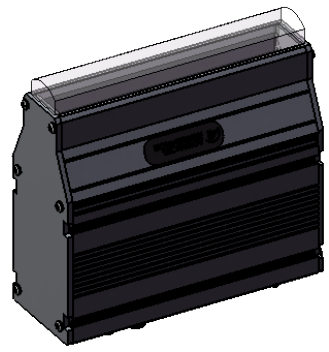
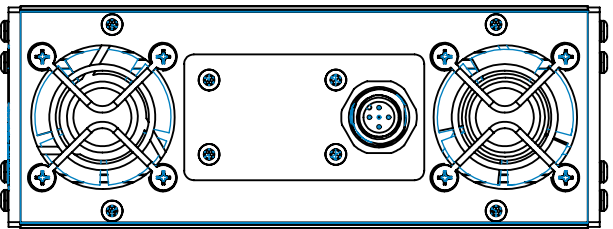
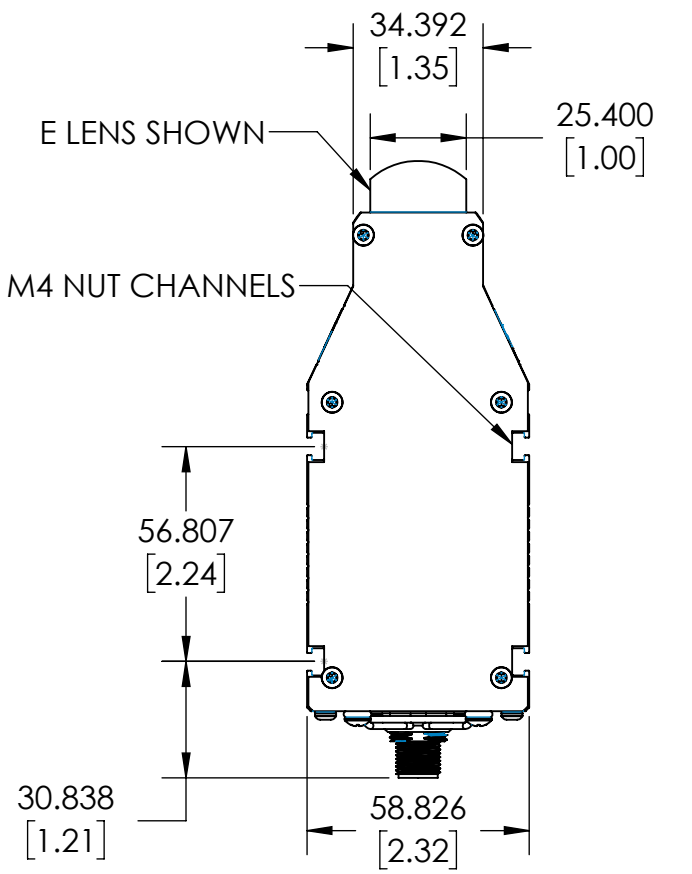


LL230L0150 HEIGHT MATRIX	
LENS TYPE	HEIGHT IN MM (INCHES)
D	156.89 (6.18)
F	175.94 (6.93)
E	163.25 (6.43)
G	154.43 (6.08)



REVISIONS			
REV.	DESCRIPTION	DATE	DCN NO



FOR REFERENCE ONLY

**UNIT WEIGHT: 4.59 LBS**

**PROPRIETARY AND CONFIDENTIAL**  
 THESE DRAWINGS AND SPECIFICATIONS ARE THE EXCLUSIVE PROPERTIES OF ADVANCED ILLUMINATION INCORPORATED ISSUED IN STRICT CONFIDENCE AND SHALL NOT, WITHOUT THE PRIOR WRITTEN PERMISSION OF ADVANCED ILLUMINATION INC BE REPRODUCED, COPIED OR USED FOR ANY PURPOSE WHATSOEVER EXCEPT THE MANUFACTURE OF ARTICLES FOR ADVANCED ILLUMINATION INC

CUT USING:		UNLESS OTHERWISE SPECIFIED: SURFACE SHOULD BE FREE OF SCRATCHES, BURRS, AND DENTS DIMENSIONS ARE IN: INCHES <u>TOLERANCES</u> FRACTIONAL: 1/16 ANGULAR: MACH ± 1 BEND ± 1 TWO PLACE DECIMAL ± .010 THREE PLACE DECIMAL ± .005 MAKE FROM	DATE	NAME
NEXT ASSY	USED ON	FINISH		
APPLICATION				

DRAWN		
CHECKED	--	--
APPROVED	--	--
MATERIAL		

**ADVANCED ILLUMINATION**  
 440 STATE GARAGE ROAD, ROCHESTER, VERMONT 05767

TITLE:  
 DRAWING, INSTALLATION,  
 LL230L0150 M12

SIZE	DWG. NO.	REV
<b>A</b>	LL230 M12	

SCALE: NTS C CODE:      SHEET 1 OF 1