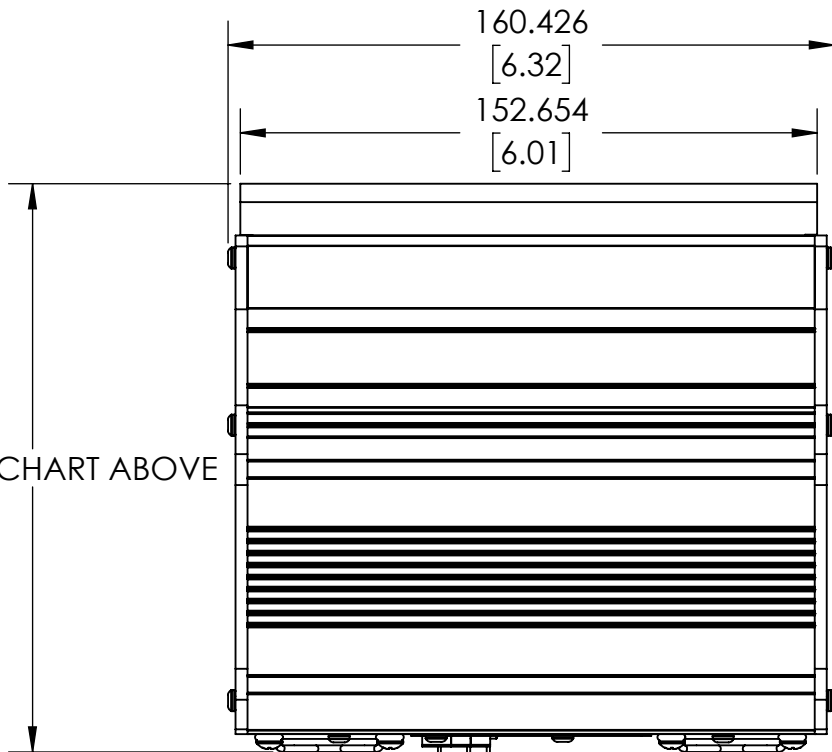
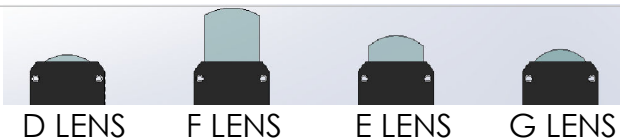
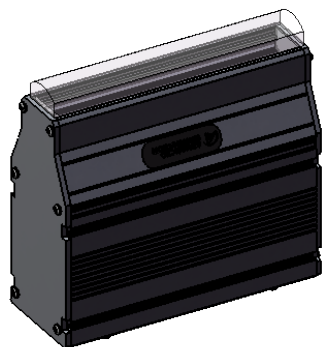
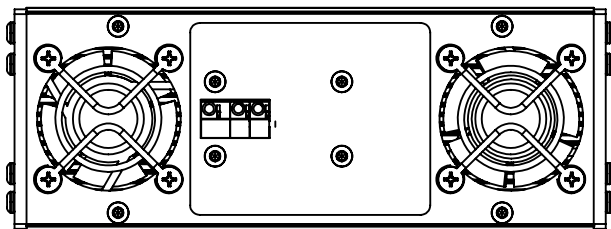
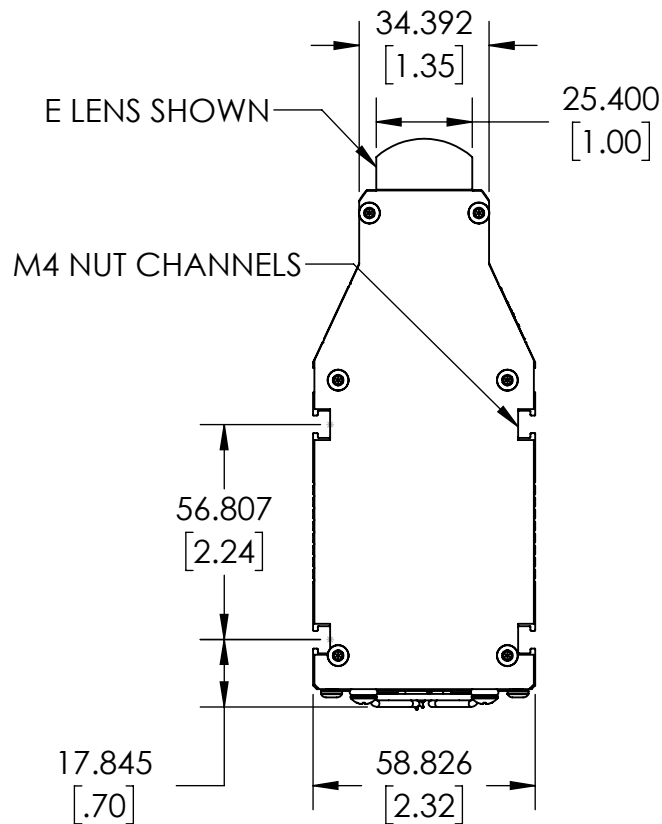


LL230L0150 HEIGHT MATRIX

LENS TYPE	HEIGHT IN MM (INCHES)
D	143.94 (5.67)
F	162.99 (6.42)
E	150.30 (5.92)
G	141.48 (5.57)



REVISIONS			
REV.	DESCRIPTION	DATE	DCN NO



FOR REFERENCE ONLY

UNIT WEIGHT: 4.59 LBS

PROPRIETARY AND CONFIDENTIAL
 THESE DRAWINGS AND SPECIFICATIONS ARE THE EXCLUSIVE PROPERTIES OF ADVANCED ILLUMINATION INCORPORATED ISSUED IN STRICT CONFIDENCE AND SHALL NOT, WITHOUT THE PRIOR WRITTEN PERMISSION OF ADVANCED ILLUMINATION INC BE REPRODUCED, COPIED OR USED FOR ANY PURPOSE WHATSOEVER EXCEPT FOR THE MANUFACTURE OF ARTICLES FOR ADVANCED ILLUMINATION INC

CUT USING: -		UNLESS OTHERWISE SPECIFIED:	DATE	NAME
		SURFACE SHOULD BE FREE OF SCRATCHES, BURRS, AND DENTS	-	-
		DIMENSIONS ARE IN: INCHES	--	--
		<u>TOLERANCES</u>	--	--
		FRACTIONAL ± 1/16		
		ANGULAR: MACH ± 1 BEND ± 1		
		TWO PLACE DECIMAL ± .010		
		THREE PLACE DECIMAL ± .005		
		MAKE FROM		
NEXT ASSY	USED ON	FINISH		
APPLICATION				

	DATE	NAME
DRAWN	-	-
CHECKED	--	--
APPROVED	--	--
MATERIAL		
FINISH		

ADVANCED ILLUMINATION		
440 STATE GARAGE ROAD, ROCHESTER, VERMONT 05767		
TITLE:		
DRAWING, INSTALLATION, LL230L0150 PT		
SIZE DWG. NO.	REV	
A	LL230 PT	-
SCALE: NTS C CODE: -		SHEET 1 OF 1