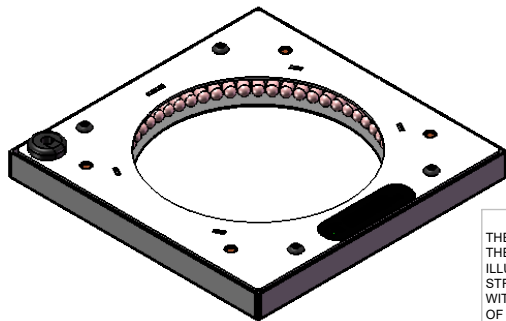
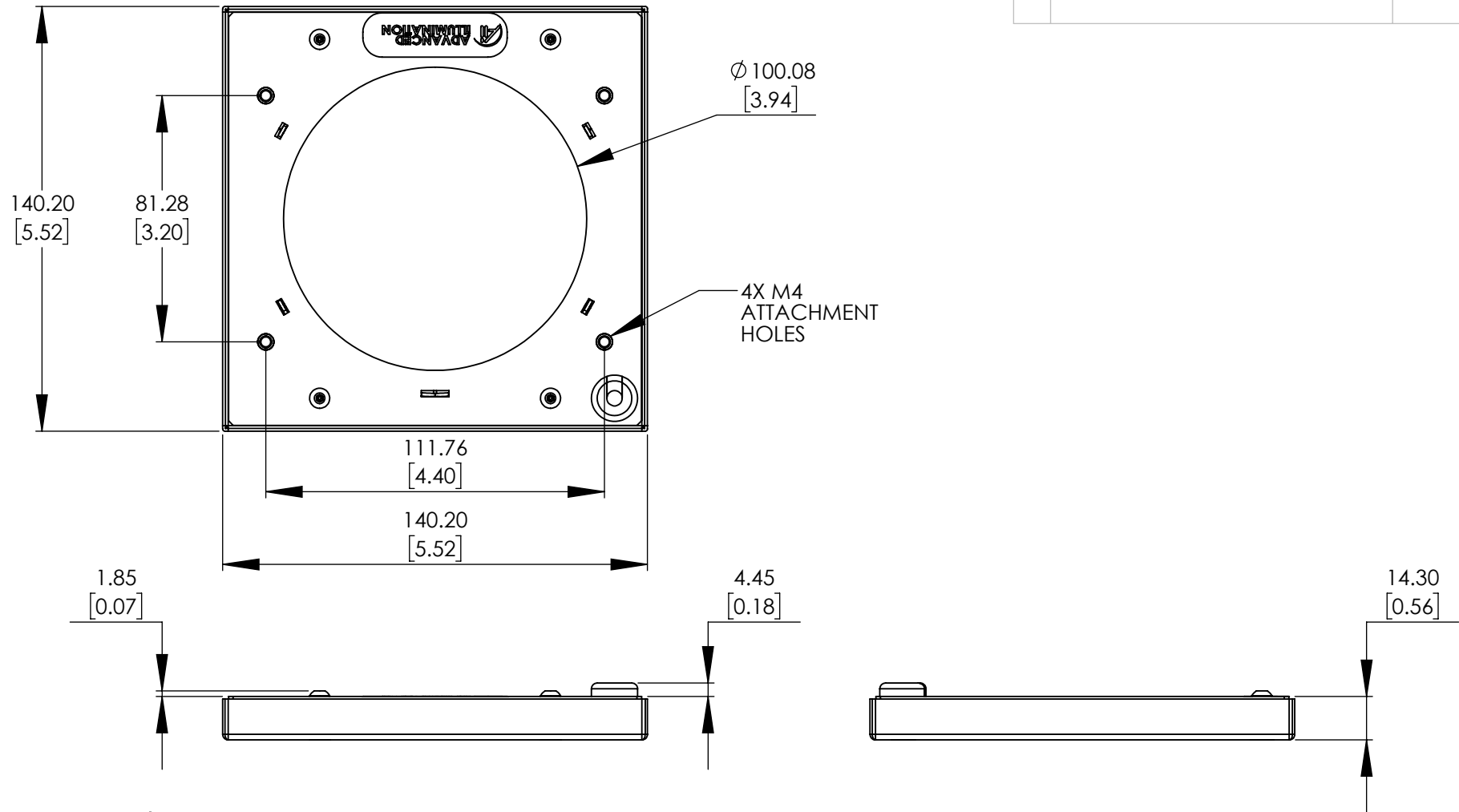


REVISIONS			
REV.	DESCRIPTION	DATE	DCN NO



FOR REFERENCE ONLY

**PROPRIETARY AND CONFIDENTIAL**  
 THESE DRAWINGS AND SPECIFICATIONS ARE THE EXCLUSIVE PROPERTIES OF ADVANCED ILLUMINATION INCORPORATED ISSUED IN STRICT CONFIDENCE AND SHALL NOT, WITHOUT THE PRIOR WRITTEN PERMISSION OF ADVANCED ILLUMINATION INC BE REPRODUCED, COPIED OR USED FOR ANY PURPOSE WHATSOEVER EXCEPT THE MANUFACTURE OF ARTICLES FOR ADVANCED ILLUMINATION INC

***UNIT WEIGHT = 0.626 POUNDS***

UNLESS OTHERWISE SPECIFIED:		DATE	NAME	<b>ADVANCED ILLUMINATION</b>	
SURFACE SHOULD BE FREE OF SCRATCHES, BURRS, AND DENTS		-	-	24 PEAVINE DRIVE, ROCHESTER, VERMONT 05767	
DIMENSIONS ARE IN: INCHES		--	--	TITLE: DRAWING INSTALLATION, RL1360	
<u>TOLERANCES</u>		APPROVED	--	SIZE DWG. NO. REV	
FRACTIONAL ± 1/16		MATERIAL		A RL1360 -	
ANGULAR: MACH ± 1 BEND ± 1		FINISH		SCALE: NTS/C CODE: SHEET 1 OF 1	
TWO PLACE DECIMAL ± .010		-			
THREE PLACE DECIMAL ± .005					
NEXT ASSY	USED ON	MAKE FROM			
		-			
APPLICATION					