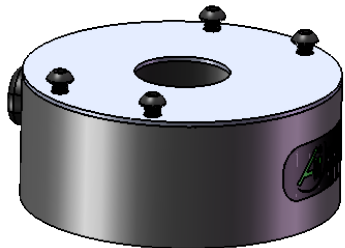
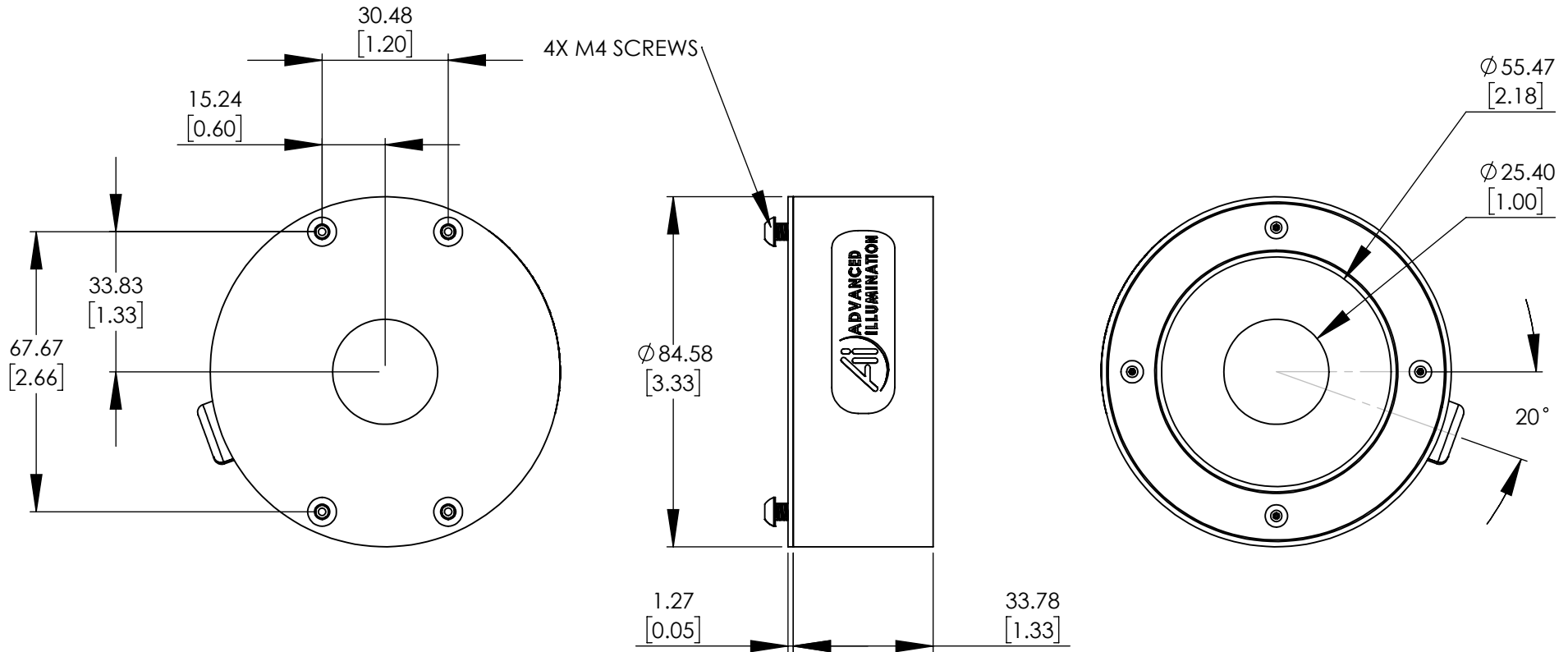


REVISIONS			
REV.	DESCRIPTION	DATE	DCN NO



FOR REFERENCE ONLY

**PROPRIETARY AND CONFIDENTIAL**  
 THESE DRAWINGS AND SPECIFICATIONS ARE THE EXCLUSIVE PROPERTIES OF ADVANCED ILLUMINATION INCORPORATED ISSUED IN STRICT CONFIDENCE AND SHALL NOT, WITHOUT THE PRIOR WRITTEN PERMISSION OF ADVANCED ILLUMINATION INC BE REPRODUCED, COPIED OR USED FOR ANY PURPOSE WHATSOEVER EXCEPT THE MANUFACTURE OF ARTICLES FOR ADVANCED ILLUMINATION INC

**UNIT WEIGHT = 0.285 lbs**

		UNLESS OTHERWISE SPECIFIED:	DATE	NAME	<b>ADVANCED ILLUMINATION</b> 440 STATE GARAGE ROAD, ROCHESTER, VERMONT 05767 <b>TITLE:</b> DRAWING, INSTALLATION, RL1424D <b>SIZE</b> DWG. NO. REV <b>A</b> RL1424D - SCALE: NTS/C CODE: SHEET 1 OF 1
		SURFACE SHOULD BE FREE OF SCRATCHES, BURRS, AND DENTS	-	-	
		DIMENSIONS ARE IN: INCHES	--	--	
		<u>TOLERANCES</u>	--	--	
NEXT ASSY	USED ON	FRACTIONAL: 1/16	MATERIAL		
		ANGULAR: MACH ± 1 BEND ± 1	-		
		TWO PLACE DECIMAL ± .010	FINISH		
		THREE PLACE DECIMAL ± .005	-		
		MAKE FROM			
APPLICATION					