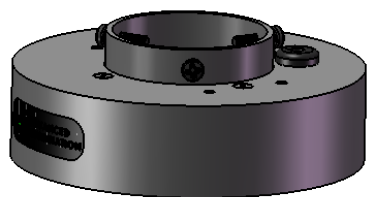
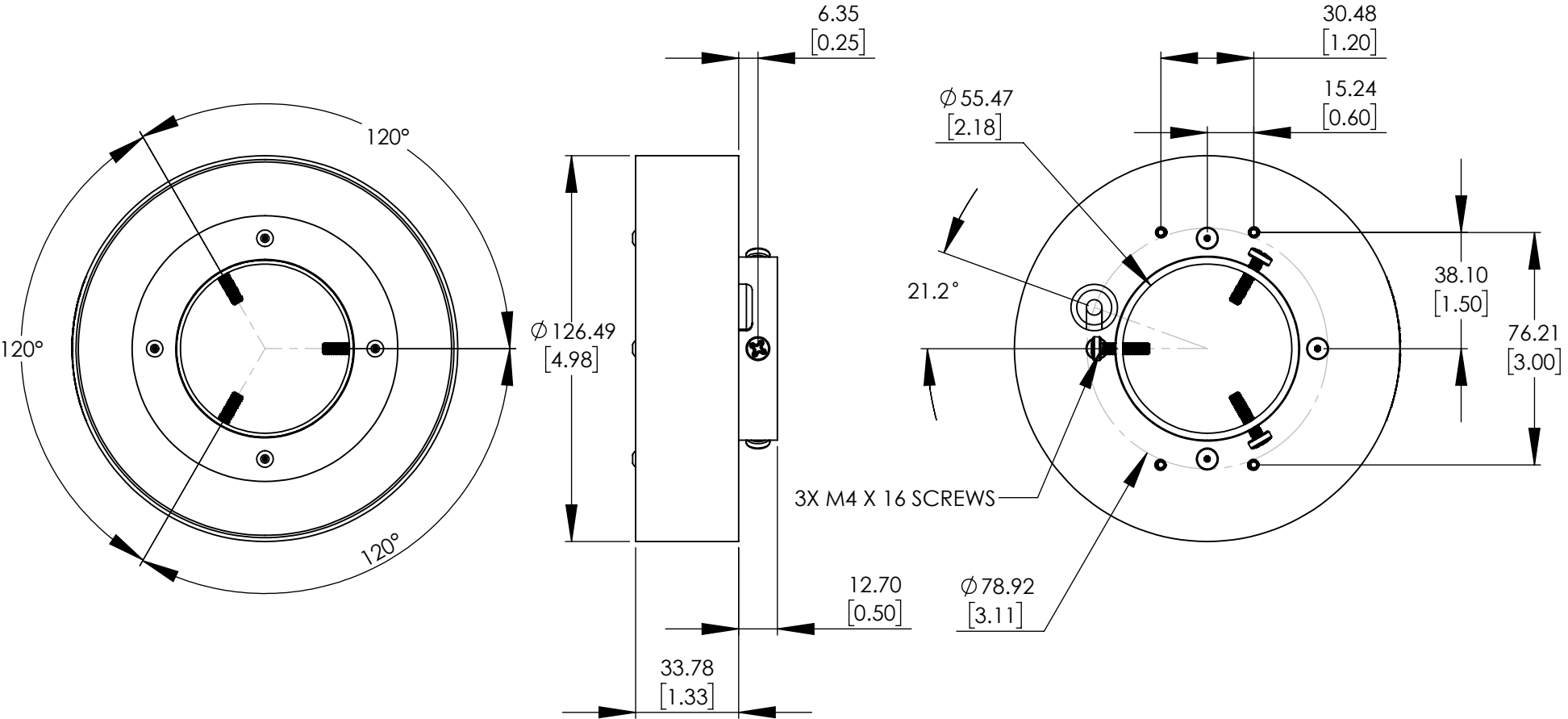


REVISIONS			
REV.	DESCRIPTION	DATE	DCN NO



FOR REFERENCE ONLY

**PROPRIETARY AND CONFIDENTIAL**  
 THESE DRAWINGS AND SPECIFICATIONS ARE THE EXCLUSIVE PROPERTIES OF ADVANCED ILLUMINATION INCORPORATED ISSUED IN STRICT CONFIDENCE AND SHALL NOT, WITHOUT THE PRIOR WRITTEN PERMISSION OF ADVANCED ILLUMINATION INC BE REPRODUCED, COPIED OR USED FOR ANY PURPOSE WHATSOEVER EXCEPT THE MANUFACTURE OF ARTICLES FOR ADVANCED ILLUMINATION INC

UNLESS OTHERWISE SPECIFIED:	DATE	NAME
SURFACE SHOULD BE FREE OF SCRATCHES, BURRS, AND DENTS	-	-
DIMENSIONS ARE IN: INCHES	--	--
<u>TOLERANCES</u>	APPROVED	--
FRACTIONAL: 1/16	MATERIAL	-
ANGULAR: MACH ± 1 BEND ± 1	FINISH	-
TWO PLACE DECIMAL ± .010		
THREE PLACE DECIMAL ± .005		
MAKE FROM		

NEXT ASSY	USED ON
APPLICATION	

**UNIT WEIGHT = 0.56 lbs**

**ADVANCED ILLUMINATION**  
 440 STATE GARAGE ROAD, ROCHESTER, VERMONT 05767

TITLE:  
 DRAWING, INSTALLATION, RL3536

SIZE	DWG. NO.	REV
<b>A</b>	RL3536	-

SCALE: NTS/C CODE: SHEET 1 OF 1