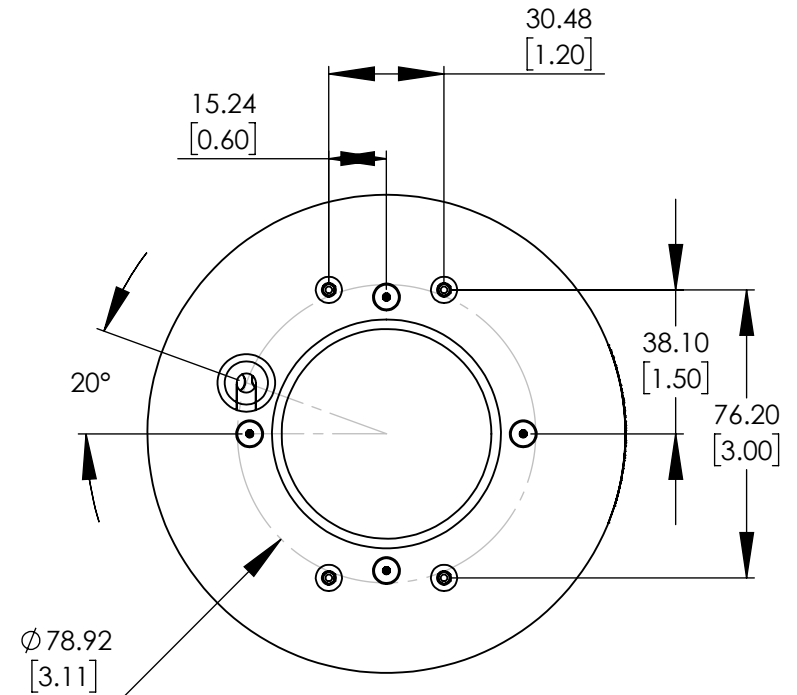
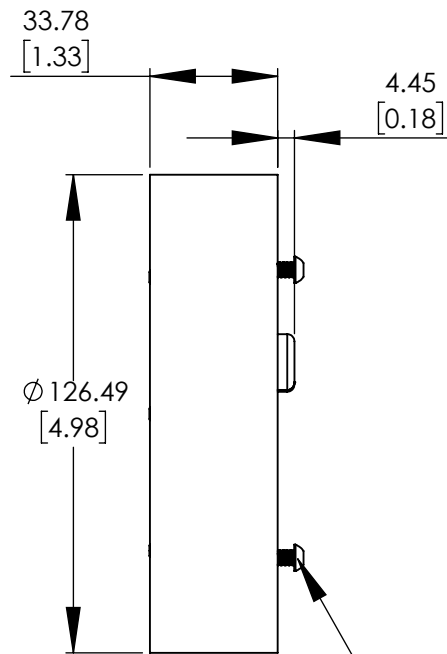
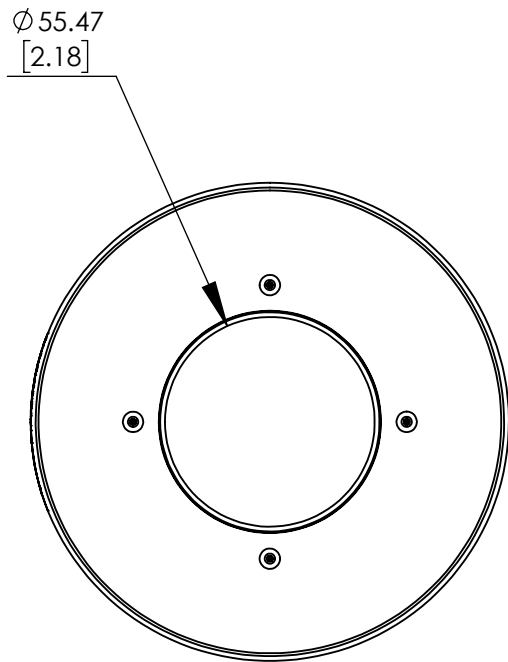
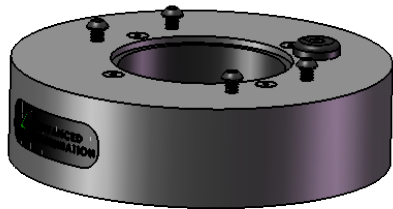


REVISIONS			
REV.	DESCRIPTION	DATE	DCN NO



4X M4 MOUNTING SCREWS

UNIT WEIGHT = 0.688 POUNDS



FOR REFERENCE ONLY

PROPRIETARY AND CONFIDENTIAL
 THESE DRAWINGS AND SPECIFICATIONS ARE THE EXCLUSIVE PROPERTIES OF ADVANCED ILLUMINATION INCORPORATED ISSUED IN STRICT CONFIDENCE AND SHALL NOT, WITHOUT THE PRIOR WRITTEN PERMISSION OF ADVANCED ILLUMINATION INC BE REPRODUCED, COPIED OR USED FOR ANY PURPOSE WHATSOEVER EXCEPT THE MANUFACTURE OF ARTICLES FOR ADVANCED ILLUMINATION INC

		UNLESS OTHERWISE SPECIFIED:	DATE	NAME	ADVANCED ILLUMINATION 440 STATE GARAGE ROAD, ROCHESTER, VERMONT 05767 TITLE: DRAWING, INSTALLATION, RL36120
		SURFACE SHOULD BE FREE OF SCRATCHES, BURRS, AND DENTS	DRAWN	-	
		DIMENSIONS ARE IN: INCHES	CHECKED	--	
		<u>TOLERANCES</u>	APPROVED	--	
		FRACTIONAL ± 1/16	MATERIAL		
		ANGULAR: MACH ± 1 BEND ± 1	-		
		TWO PLACE DECIMAL ± .010	FINISH		
		THREE PLACE DECIMAL ± .005	-		
NEXT ASSY	USED ON	MAKE FROM			SIZE DWG. NO. REV A RL36120 -
APPLICATION			SCALE: NTS/C CODE:		SHEET 1 OF 1