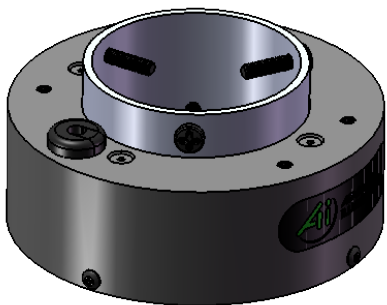
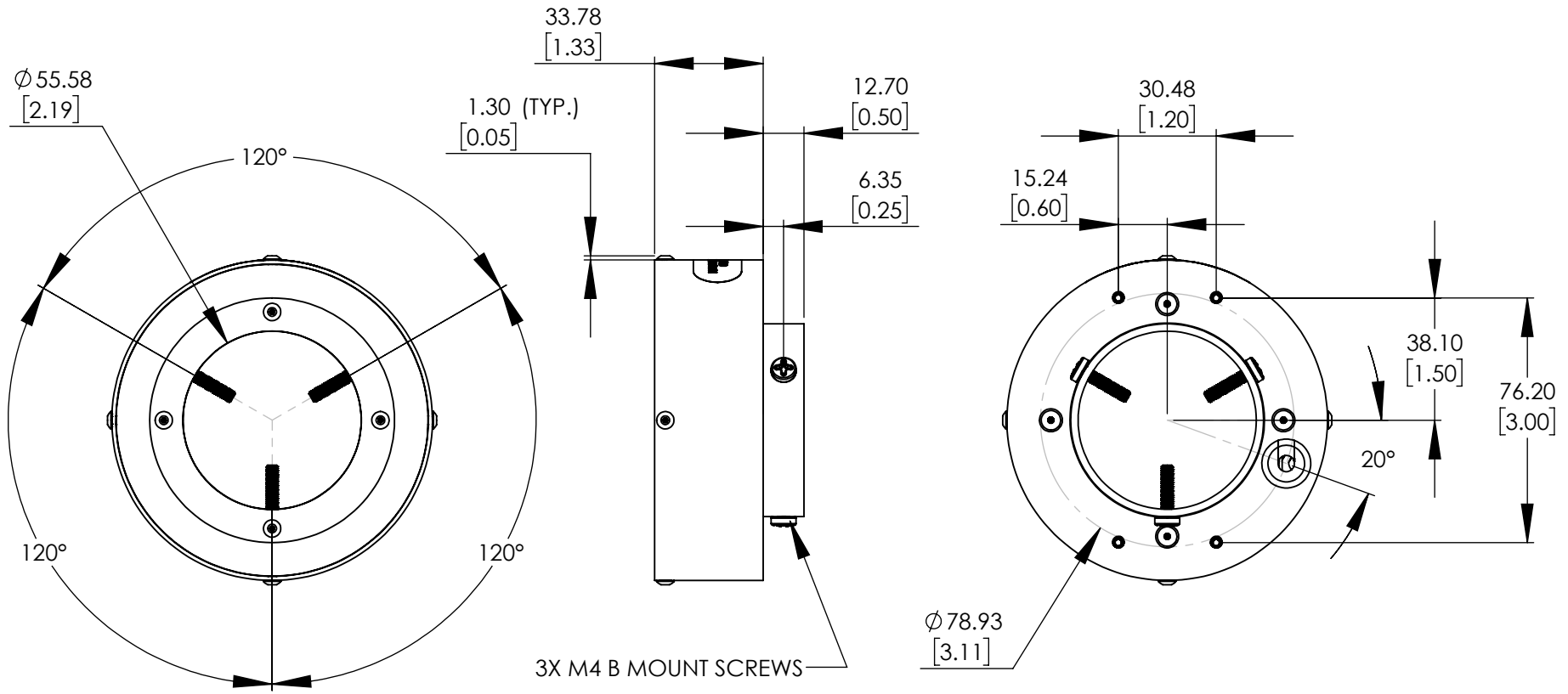


REVISIONS			
REV.	DESCRIPTION	DATE	DCN NO



FOR REFERENCE ONLY

PROPRIETARY AND CONFIDENTIAL
 THESE DRAWINGS AND SPECIFICATIONS ARE THE EXCLUSIVE PROPERTIES OF ADVANCED ILLUMINATION INCORPORATED ISSUED IN STRICT CONFIDENCE AND SHALL NOT, WITHOUT THE PRIOR WRITTEN PERMISSION OF ADVANCED ILLUMINATION INC BE REPRODUCED, COPIED OR USED FOR ANY PURPOSE WHATSOEVER EXCEPT FOR THE MANUFACTURE OF ARTICLES FOR ADVANCED ILLUMINATION INC

UNLESS OTHERWISE SPECIFIED:	DATE	NAME	ADVANCED ILLUMINATION 440 STATE GARAGE ROAD, ROCHESTER, VERMONT 05767	
SURFACE SHOULD BE FREE OF SCRATCHES, BURRS, AND DENTS	DRAWN	-	TITLE: DRAWING, INSTALLATION, RL5064B	
DIMENSIONS ARE IN: INCHES	CHECKED	--		
	APPROVED	--		
<u>TOLERANCES</u>	MATERIAL	-	SIZE DWG. NO.	REV
FRACTIONAL $\pm 1/16$	FINISH	-	A RL5064B	-
ANGULAR: MACH ± 1 BEND ± 1				
TWO PLACE DECIMAL $\pm .010$		SCALE: NTS/C CODE:		SHEET 1 OF 1
THREE PLACE DECIMAL $\pm .005$				
MAKE FROM				
NEXT ASSY	USED ON			
APPLICATION				

UNIT WEIGHT = 0.610 lbs