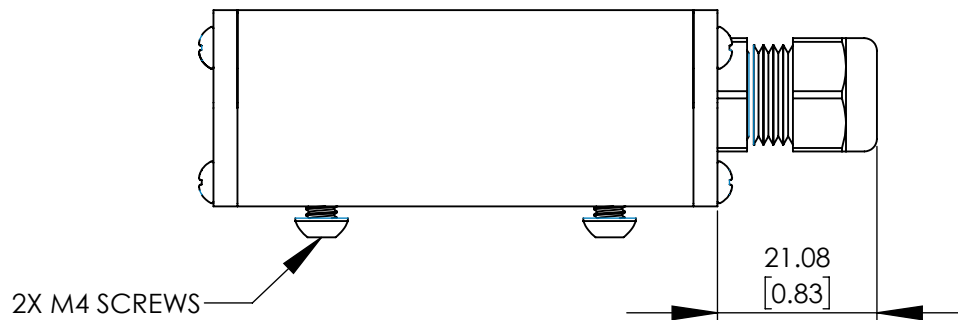
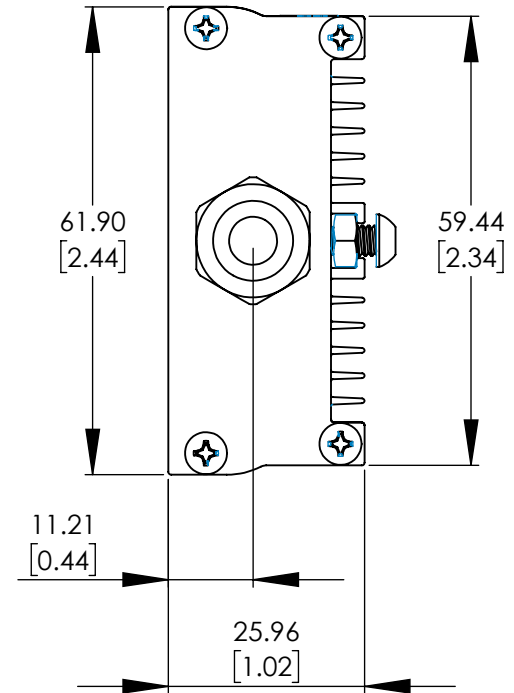
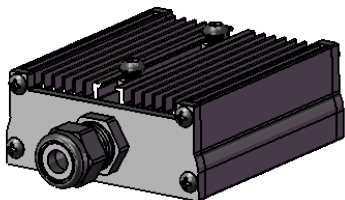


REVISIONS			
REV.	DESCRIPTION	DATE	DCN NO



UNIT WEIGHT = 0.23 POUNDS



FOR REFERENCE ONLY

PROPRIETARY AND CONFIDENTIAL
 THESE DRAWINGS AND SPECIFICATIONS ARE THE EXCLUSIVE PROPERTIES OF ADVANCED ILLUMINATION INCORPORATED ISSUED IN STRICT CONFIDENCE AND SHALL NOT, WITHOUT THE PRIOR WRITTEN PERMISSION OF ADVANCED ILLUMINATION INC BE REPRODUCED, COPIED OR USED FOR ANY PURPOSE WHATSOEVER EXCEPT THE MANUFACTURE OF ARTICLES FOR ADVANCED ILLUMINATION INC

		UNLESS OTHERWISE SPECIFIED:	DATE	NAME	ADVANCED ILLUMINATION 24 PEAVINE DRIVE, ROCHESTER, VERMONT 05767 TITLE: DRAWING, INSTALLATION, SL147 SIZE DWG. NO. REV A SL147 -
		SURFACE SHOULD BE FREE OF SCRATCHES, BURRS, AND DENTS	DRAWN	-	
		DIMENSIONS ARE IN: INCHES	CHECKED	--	
		<u>TOLERANCES</u>	APPROVED	--	
		FRACTIONAL: ± 1/16 ANGULAR: MACH ± 1 BEND ± 1 TWO PLACE DECIMAL ± .010 THREE PLACE DECIMAL ± .005	MATERIAL	-	
NEXT ASSY	USED ON	MAKE FROM	FINISH	-	
	APPLICATION				SCALE: NTS/C CODE: - SHEET 1 OF 1