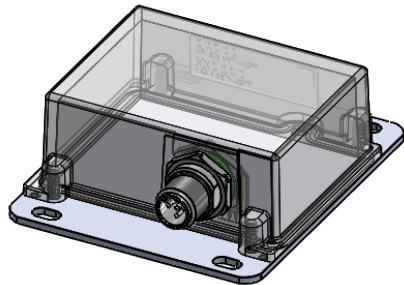
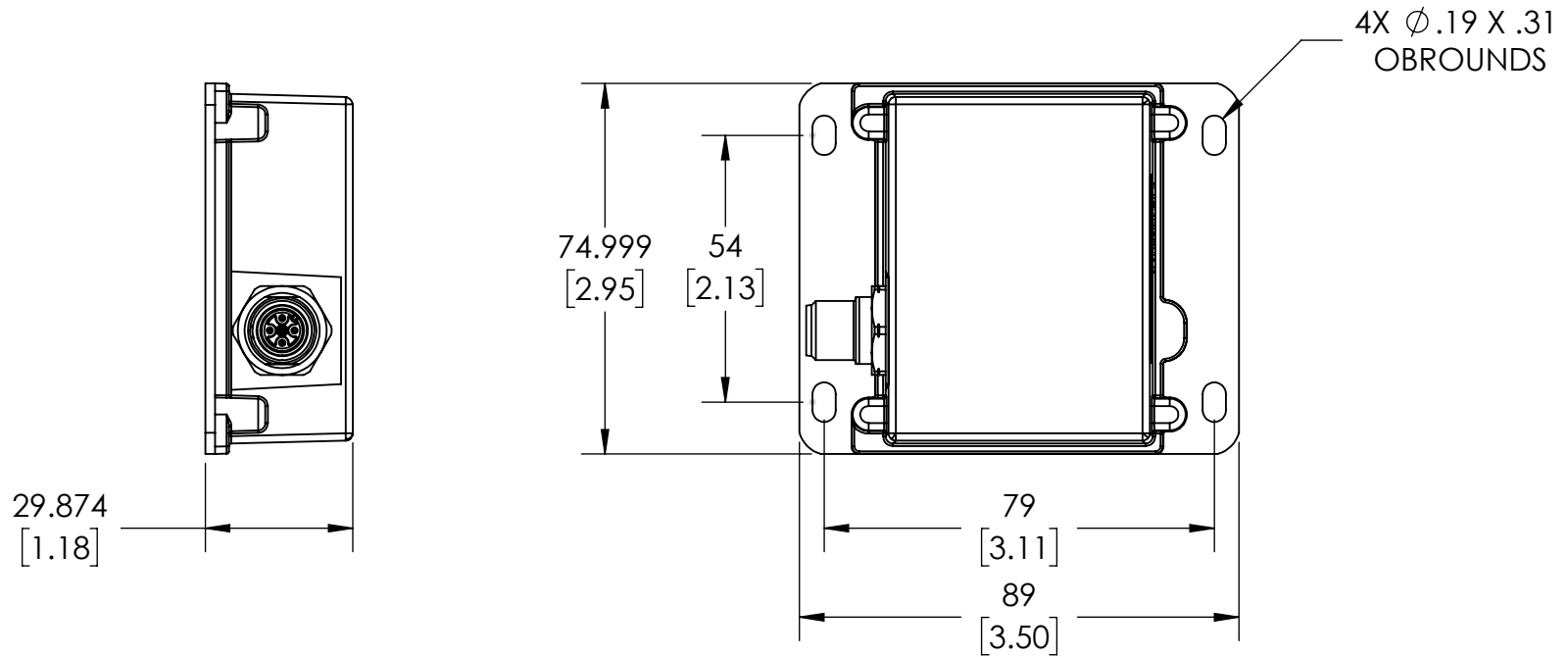


REVISIONS			
REV.	DESCRIPTION	DATE	DCN NO



FOR REFERENCE ONLY

PROPRIETARY AND CONFIDENTIAL
 THESE DRAWINGS AND SPECIFICATIONS ARE THE EXCLUSIVE PROPERTIES OF ADVANCED ILLUMINATION INCORPORATED ISSUED IN STRICT CONFIDENCE AND SHALL NOT, WITHOUT THE PRIOR WRITTEN PERMISSION OF ADVANCED ILLUMINATION INC BE REPRODUCED, COPIED OR USED FOR ANY PURPOSE WHATSOEVER EXCEPT THE MANUFACTURE OF ARTICLES FOR ADVANCED ILLUMINATION INC

CUT USING:		UNLESS OTHERWISE SPECIFIED:	DATE	NAME
		SURFACE SHOULD BE FREE OF SCRATCHES, BURRS, AND DENTS	-	-
		DIMENSIONS ARE IN: INCHES	--	--
		<u>TOLERANCES</u>	--	--
		FRACTIONAL ± 1/16	MATERIAL	
		ANGULAR: MACH ± 1 BEND ± 1	-	
		TWO PLACE DECIMAL ± .010	FINISH	
		THREE PLACE DECIMAL ± .005	-	
NEXT ASSY	USED ON	MAKE FROM		
APPLICATION				

UNIT WEIGHT: 0.212 lbs

ADVANCED ILLUMINATION
 440 STATE GARAGE ROAD, ROCHESTER, VERMONT 05767

TITLE:
 DRAWING, INSTALLATION, SL-S050075

SIZE	DWG. NO.	REV
A	SL-S050075	-

SCALE: NTS C CODE: -- SHEET 1 OF 1