

Lens Evetar M118B029520 F2.0 f2.95mm 1/1.8"



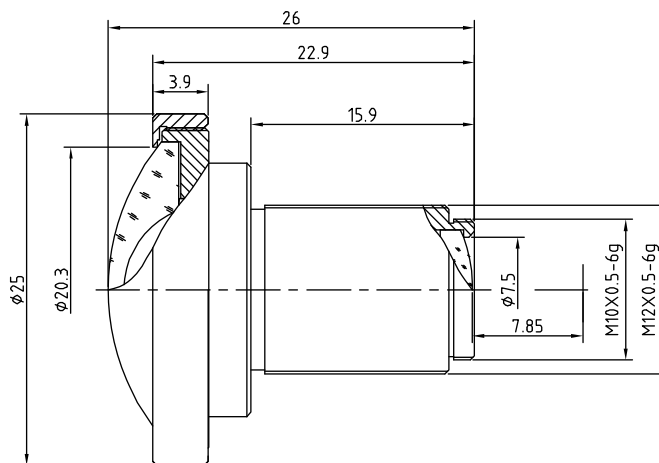
Order Numbers

- 2000036382** (without IR cut filter)
- 2000036383** (with IR cut filter)

Key Features

- S-mount lens with optimum price/performance ratio
- 1/1.8" lens with fixed focal length of 2.95 mm and fixed iris of *f*/2.0
- Available with IR cut filter (for color cameras) or without IR cut filter (for mono cameras)

Technical Specifications	
Image Circle	1/1.8"
Focal Length	2.95 mm
Aperture	<i>f</i> /2.0
Iris Type	fixed
MOD	150 mm
Resolution	MP
Angle of View (D / H / V)	178° / 138° / 104°
Back Focal Length	7.85 mm
Mount	M12x0.5-6g



(Dimensions in mm)