

Spot Light Illumination SL-i Series

Innovative LED lighting
for machine vision



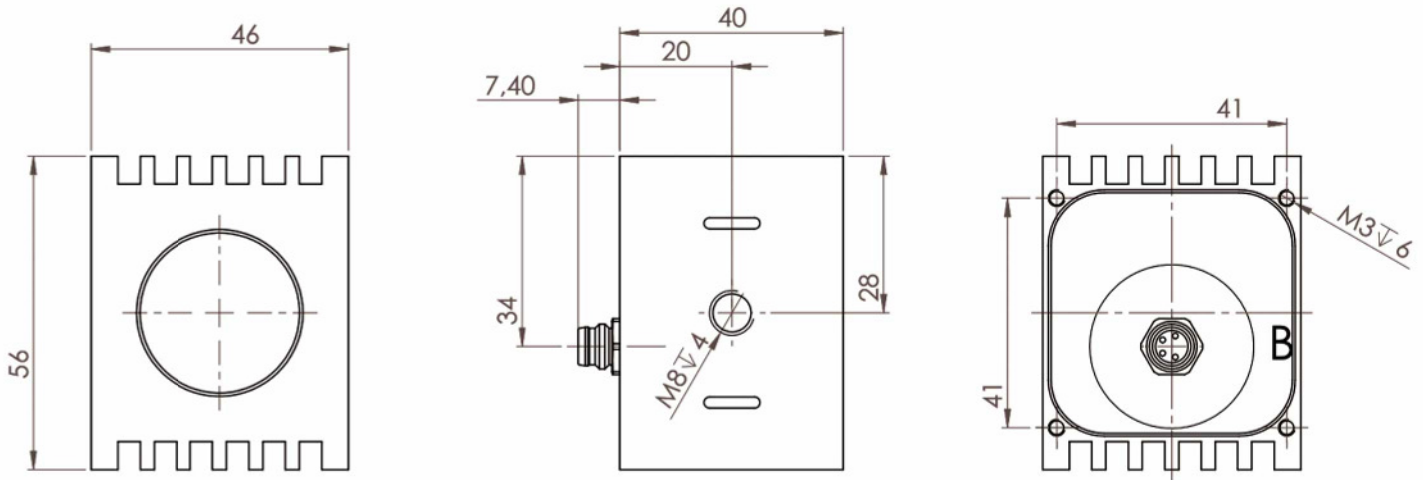
Spot lightings with integrated controller
in various colors and angles

- Powerfull light
- Compact design
- IP65 protection
- Made in Germany

These lightings are made for manifold bright field application. The already integrated LED controller allows flash as well as steady light usage. Due to the 4-die LED emitter technology the lightings generate powerfull spots with very high intensity for distant installation in narrow spaces.

Spot Light Illumination

SL-i Series



Specification

Supply voltage	24 V DC +/- 10%
Spot angle	Wide (33°), medium (26°), narrow (22°)
Operation modes	Flash and steady light with analog dimmer
Flash mode	Up to 3x overdrive for max. 20ms
Trigger-light latency	20µs
Dimmer	Analog 1V-10V; 1V = 10%; 10V = 100%
Connection	M8 male connector with 4 pin for 24 V, Trigger, GND, Dimmer
Accessories	1/4-inch adapter (optional); adjustable ball point bracket (optional)
IP Rating	IP65
Operation conditions	Temperature 10° to 30°C, humidity 30% to 70%
Live time	65,000 h

Color ¹ / Spot	Wide	Medium	Narrow	Wavelength	Price ²
Cool White	SL-i-33-WT	SL-i-26-WT	SL-i-22-WT	-	240 €
Blue	SL-i-33-BE	SL-i-26-BE	SL-i-22-BE	457nm	270 €
Green	SL-i-33-GN	SL-i-26-GN	SL-i-22-GN	523nm	270 €
Red	SL-i-33-RD	SL-i-26-RD	SL-i-22-RD	623nm	270 €
Infrared	SL-i-33-IR	SL-i-26-IR	SL-i-22-IR	850nm	270 €

1) On request: warm white, 660nm, 740nm, 940nm, 590nm

2) Price plus VAT, packaging and transportation costs