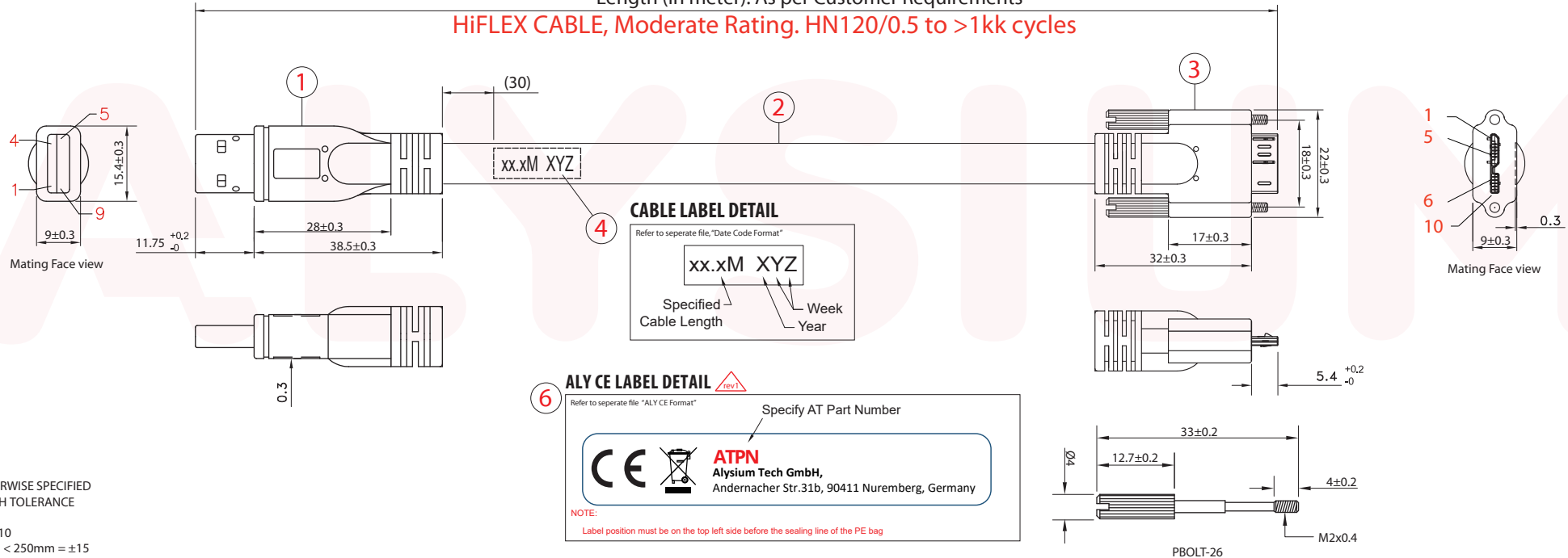


Length (in meter). As per Customer Requirements

HiFLEX CABLE, Moderate Rating. HN120/0.5 to >1kk cycles



UNIT: MM
UNLESS OTHERWISE SPECIFIED
CABLE LENGTH TOLERANCE

- < 150mm = ±10
- ≥ 150mm and < 250mm = ±15
- ≥ 250mm and < 500mm = ±20
- ≥ 500mm and < 1000mm = ±30
- ≥ 1000mm and < 5000mm = ±50
- 5000mm and above = ±100

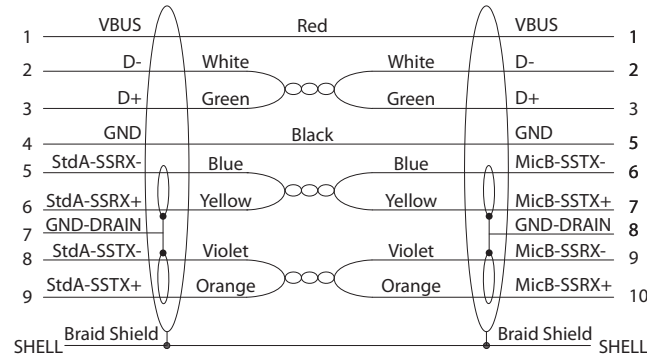
This document is the property of Alysium-Tech. It must not be copied or otherwise disclosed without prior written consent

RoHS COMPLIANT

BILL OF MATERIALS

Item	Description
1	USB A 3.0 (OD8.3) Moulded Plug <BLK>
2	A87-3502(C) [OD=8.0mm] TPE 2xSuperSpeed ParallelPair#26, 1xUSB2 UTP#28, 2C#22 High Flex Cable <VIOLET>
3	USB MicB 3.0 sl (OD8.3) Moulded Plug <BLK>
4	Cable Label
5	Heat Sealed PE Bag
6	Label On Bag (ALY CE)

WIRING DIAGRAM



PACKAGING DETAIL

