

Basler Accessories



Technical Specification

POWER SUPPLY 12V, PLUG M5 4P

Order Number

2000031223

Document Number: DG001440

Version: 03 Language: 000 (English)

Release Date: 3 November 2016

Contacting Basler Support Worldwide

Europe, Middle East, Africa

Basler AG
An der Strusbek 60–62
22926 Ahrensburg
Germany

Tel. +49 4102 463 515
Fax +49 4102 463 599

support.europe@baslerweb.com

The Americas

Basler, Inc.
855 Springdale Drive, Suite 203
Exton, PA 19341
USA

Tel. +1 610 280 0171
Fax +1 610 280 7608

support.usa@baslerweb.com

Asia-Pacific

Basler Asia Pte. Ltd.
35 Marsiling Industrial Estate Road 3
#05–06
Singapore 739257

Tel. +65 6367 1355
Fax +65 6367 1255

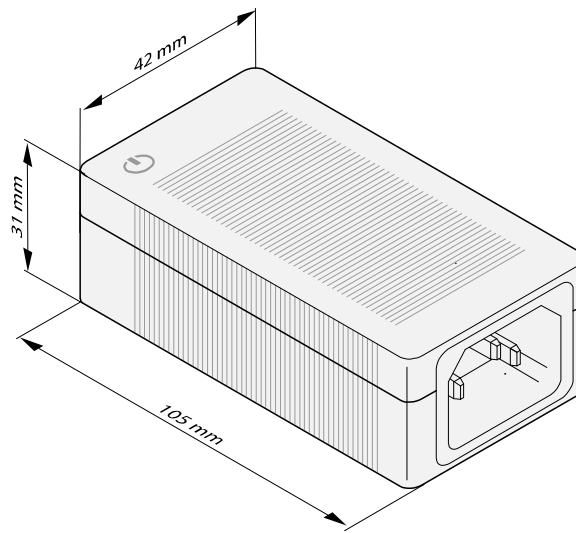
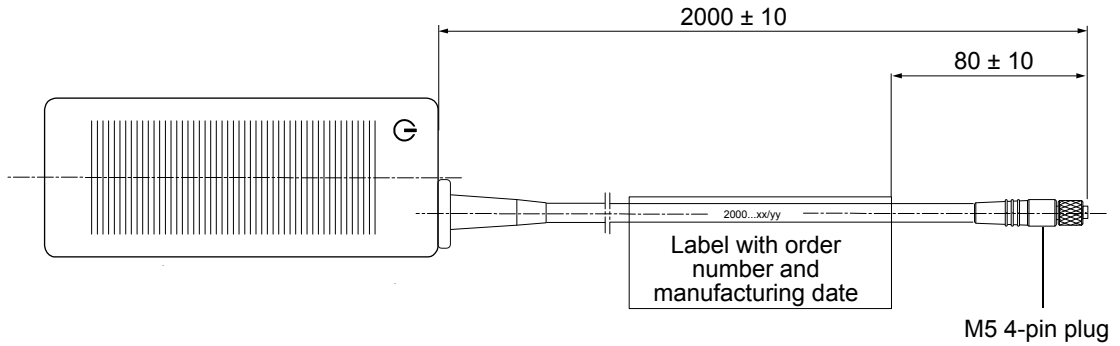
support.asia@baslerweb.com

www.baslerweb.com

All material in this publication is subject to change without notice and is copyright Basler AG.

Order Number	Description	Applicable Cameras
2000031223	Power supply 12 VDC with M5 4-pin plug	ace CL

Table 1: Power Supply Type



Dimensions in mm

Fig. 1: Power Supply Overview

Physical Specifications

DC Output Connector	M5 4-pin plug for applicable cameras
AC Input Connector	IEC 60320 C14
Housing Dimensions	105.0 mm x 42.0 mm x 31.0 mm \pm 1.0 mm
Minimum Bending Radius (Cable)	35 mm, fixed installation
Maximum Bending Cycles (Cable)	None (for fixed installation only)
Suitable for Drag Chain Applications	No
Suitable for Robotics Applications	No

Table 2: Physical Specifications

Electrical Specifications

AC Input	Voltage Range	90 - 264 VAC
	Current	0.55 A max.
	Frequency Range	47 - 63 Hz
DC Output	Voltage	12 VDC \pm 1 %
Isolation Input/Output		Yes
Earth Leakage Current		< 0.75 mA @ 240 VAC
Turn-on Delay		1 s typical
Inrush Current		25 A @ 115 VAC - 50 A @ 230 VAC
Hold-up Time		16 ms @ full load
Safety		LPS (Limited Power Source)
Overvoltage at Output		Protected
Short Circuit at Output		Protected (Auto Recovery)

Table 3: Electrical Specifications

Environmental Specifications

Operating Temperature Range	0 °C - 40 °C
-----------------------------	--------------

Table 4: Environmental Specifications

General Specifications

Energy Efficiency	ENERGY STAR Version 2.0, Level V
-------------------	----------------------------------

Table 5: General Specifications

Plug Specifications


Durability	> 100 mating cycles
Protection Rating	IP67
Plug Insulation Material	PUR

Table 6: Plug Specifications

General Information

RoHS Compliance	Yes
CE Conformity	Yes
UL Conformity	Yes
Warranty	1 year

Table 7: General Information

	This power supply is intended for use with the cameras specified in Table 1 only.
---	---

An additional power cable is required for using the power supply. Suitable power cables and power cable extensions are available from Basler AG.

Read the camera user's manual including the safety warnings before connecting the camera to the power supply. The user's manual also contains further information about pin assignments, power requirements, as well as comprehensive information about installing and using the camera.

You can download the user's manual and related documents for your camera free of charge from the Basler website: www.baslerweb.com.

Revision History

Doc. ID Number	Date	Changes
DG00144001000	20 Jan 2015	Initial release of this document.
DG00144002000	3 Mar 2015	Updated Fig. 1 . Updated physical specifications in Table 2 . Updated electrical specifications in Table 3 . Updated plug specifications in Table 6 .
DG00144003000	3 Nov 2016	Corrected cable length from 1500 mm to 2000 mm.