

Basler Accessories



Technical Specification

POE SINGLE PORT INJECTOR POE21U

Order Number

2200000024

Document Number: DG001652

Version: 02 Language: 000 (English)

Release Date: 10 July 2017

Contacting Basler Support Worldwide

Europe, Middle East, Africa

Basler AG
An der Strusbek 60–62
22926 Ahrensburg
Germany

Tel. +49 4102 463 515
Fax +49 4102 463 599

support.europe@baslerweb.com

The Americas

Basler, Inc.
855 Springdale Drive, Suite 203
Exton, PA 19341
USA

Tel. +1 610 280 0171
Fax +1 610 280 7608

support.usa@baslerweb.com

Asia-Pacific

Basler Asia Pte. Ltd.
35 Marsiling Industrial Estate Road 3
#05–06
Singapore 739257

Tel. +65 6367 1355
Fax +65 6367 1255

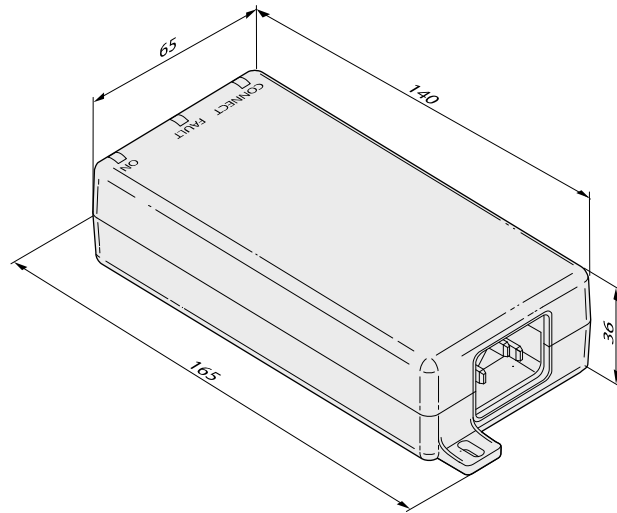
support.asia@baslerweb.com

www.baslerweb.com

**All material in this publication is subject to change without notice and is copyright
Basler AG.**

Order Number	Description	Applicable Cameras
2200000024	PoE single port injector (for cables with 8-pin RJ45 connector)	ace GigE

Table 1: Injector Type



Dimensions in mm

Fig. 1: PoE Single Port Injector Overview

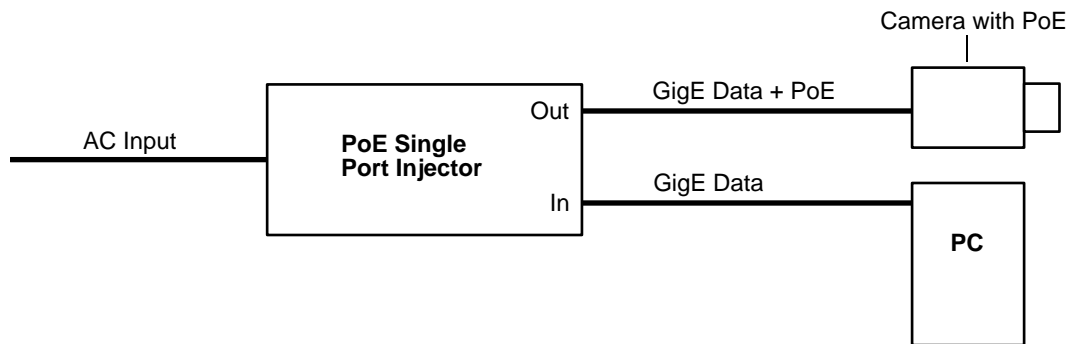


Fig. 2: Cable Connections Overview

Physical Specifications

Data & Power Out Connector	RJ45
AC Input Connector	IEC 60320 C14
Housing Dimensions	165.0 mm x 65.0 mm x 36.0 mm \pm 1.0 mm

Table 2: Physical Specifications

Electrical Specifications

AC Input	Voltage Range	90–264 VAC
	Current	0.8 A max. @ 120 VAC
	Frequency Range	47–63 Hz
Data & Power Out	Voltage	56 VDC
Isolation Primary to Secondary		1500 VAC
Earth Leakage Current		350 μ A max.
Inrush Current		60 A @ 240 VAC
Hold-up Time		10 ms @ 240 VAC
Safety		LPS (Limited Power Source)
Overvoltage at Output		Protected
Short Circuit at Output		Protected (Auto Recovery)

Table 3: Electrical Specifications

Environmental Specifications

Operating Temperature Range	0–40 °C
Humidity	5–90 %, relative, non-condensing

Table 4: Environmental Specifications

General Specifications

Energy Efficiency	80 % @ 120 VAC / 60 Hz @ full load
-------------------	------------------------------------

Table 5: General Specifications

General Information

CE Conformity	Yes
UL Conformity	Yes
Warranty	1 year

Table 6: General Information



This PoE single port injector is intended for use with the cameras specified in [Table 1](#) only.



Before plugging the PoE injector into an AC power outlet, connect all the hardware first, i.e., connect the camera and the host PC to the injector using suitable GigE cables.

Otherwise, the PoE injector might malfunction.

An additional power cable and two GigE cables are required for using the PoE single port injector (see Fig. 2). Suitable GigE cables, power cables, and power cable extensions are available from Basler AG.

Read the camera user's manual including the safety warnings before connecting the camera to the single port injector. The user's manual also contains further information about pin assignments, power requirements, as well as comprehensive information about installing and using the camera.

You can download the user's manual and related documents for your camera free of charge from the Basler website: www.baslerweb.com

Revision History

Doc. ID Number	Date	Changes
DG00165201000	18 Feb 2016	Initial release of this document.
DG00165202000	10 Jul 2017	Added note on page 3 .