

PROPRIETARY INFORMATION: PROPRIETARY OF GLOBTEK, INC. ANY REPRODUCTION, DISCLOSURE OR USE OF THIS DRAWING, IN WHOLE OR IN PART, IS HEREBY PROHIBITED EXCEPT AS SPECIFIED IN WRITING BY GLOBTEK, INC.	REVISION			
	REV	DESCRIPTION	DATE	APPROVED
	A	INITIAL RELEASE, RFS.17620, MS	12/03/09	HM
	B	UPDATED PACKING, RFS.17776, MS	25/12/09	HM
	C	ADD PSE MARK, RFS. 18562, MS	04/26/10	HM

1. ELECTRICAL SPECIFICATIONS:

INPUT

INPUT VOLTAGE: 90Vac TO 264Vac
 INPUT CURRENT: <1.6A rms AT 90VAC INPUT
 INPUT FREQUENCY: 47HZ - 63HZ



OUTPUT :

OUTPUT VOLTAGE: 12 VDC, NO LOAD TO FULL LOAD, NO MINIMUM LOAD REQUIRED
 OUTPUT CURRENT: 2.5 A
 RATED OUTPUT POWER: 30 WATTS, MAXIMUM
 OUTPUT REGULATION: +/- 5% MEASURED AT THE OUTPUT CONNECTOR
 LINE VOLTAGE REGULATION: +/- 1% TYPICAL MEASURED AT FULL LOAD
 HIGH FREQ. OUTPUT RIPPLE: 1% OF OUTPUT VOLTAGE, PEAK TO PEAK, TYPICAL
 TURN-ON/TURN-OFF OVERSHOOT: 5% MAXIMUM, 1mS TYPICAL RECOVERY TIME FOR 25% STEP LOAD
 TURN-ON DELAY: 1 SECOND, TYPICAL
 HOLD-UP TIME: 10mS TYPICAL AT NOMINAL INPUT VOLTAGE AND FULL LOAD
 INRUSH CURRENT: 20A TYPICAL AT 115Vac INPUT AND 30A TYPICAL AT 230Vac INPUT
 SWITCHING FREQUENCY: 100KHZ TYPICAL
 EFFICIENCY: 75% TYPICAL AT NOMINAL INPUT AND FULL LOAD
 OUTPUT INDICATOR: GREEN LED FOR OUTPUT INDICATOR

PROTECTION

OVER-VOLTAGE: VOLTAGE LIMITED BY CROWBAR METHOD, OUTPUT WILL AUTORECOVER UPON REMOVAL OF OVER VOLTAGE
 OVERLOAD: HICCUP MODE, OUTPUT WILL AUTO-RECOVER UPON REMOVAL OF OVERLOAD
 SHORT CIRCUIT: HICCUP MODE, OUTPUT WILL AUTORECOVER UPON REMOVAL OF SHORT
 INPUT PROTECTION: INPUT LINE FUSING

SAFETY

DIELECTRIC WITHSTAND VOLTAGE: 4242Vdc FROM PRIMARY TO SECONDARY
 EARTH LEAKAGE CURRENT: < 500uA at 264Vac INPUT VOLTAGE

APPROVALS

ITE UNITS : UL 60950, CUL TO 22.2 NO. 60950, TUV TO EN60950
 CLASS II WITH FUNCTIONAL EARTH, PSE TO J60950,
 AS/NZ 60950, CCC TO GB4943-2001, GB 9254-1998, GB 17625.1-2003
 EMI: COMPLIES WITH EN55022 CLASS B AND FCC PART 15 CLASS B, VCCI
 WHEN TESTED WITH RESISTIVE LOAD, BOTH CONDUCTED AND
 RADIATED EMI.
 CE MARK: TESTED TO COMPLY WITH EN61000-3-2 EN610003-3 AND EN50082-1
 INCLUDING EN61000-4-2, EN61000-4-3, EN61000-4-4,
 EN61000-4-5, EN61000-4-6, EN61000-4-11
 MTBF: 200,000 HOURS AT 25C AMBIENT TEMPERATURE
 OPERATING TEMPERATURE: 0°C TO 40°C AMBIENT TEMPERATURE
 HUMIDITY: 0% TO 90% RELATIVE HUMIDITY
 STORAGE TEMPERATURE: -40°C TO 80°C
 ROHS: COMPLIES WITH EU 2002/95/EC AND CHINA SJ/T 11363-2006

Foot Note: Globtek Inc. will not be liable for the safety and performance of these power supplies if unauthorized access and repair occurs. End user should consult applicable UL, CSA or EN standards for proper installation instructions	C	PART NO	REV.	DESCRIPTION	NOTES
		TABULATION BLOCK			
Limitation of Use: Globtek product are not authorized for use as mission critical components in life support, hazardous environment, nuclear or aircraft applications without prior written approval from the CEO of Globtek Inc.	C	TOLERANCES: DECIMALS ANGULAR .xx +/- 0.1 +/- 1° .xxx +/- .005		GlobTek, Inc. www.globtek.com 186 Veterans Dr. Northvale, NJ 07647 Tel. 201-784-1000 Fax 201.784.0111	DWG TITLE: SWITCHER, 30WATT, 12V@ 2.5A SINGLE OUTPUT, DESKTOP UNIVERSAL INPUT, ITE, CLASS II FE
		INIT.BY: MS DATE: 12/03/09	MILLIMETERS ANGULAR .xx +/- 0.3 +/- 1° .xxx +/- .013		
Contents of this document are subject to change without prior notice	C	APRVD : HM DATE: 12/03/09	CAGE CODE: 0GV V90 SCALE: NONE	PART NO: TR9CE2500A00YRG2181	SHEET 1 OF 5

PROPRIETARY INFORMATION:

PROPRIETARY OF GLOBTEK, INC. ANY REPRODUCTION, DISCLOSURE OR USE OF THIS DRAWING, IN WHOLE OR IN PART, IS HEREBY PROHIBITED EXCEPT AS SPECIFIED IN WRITING BY GLOBTEK, INC.

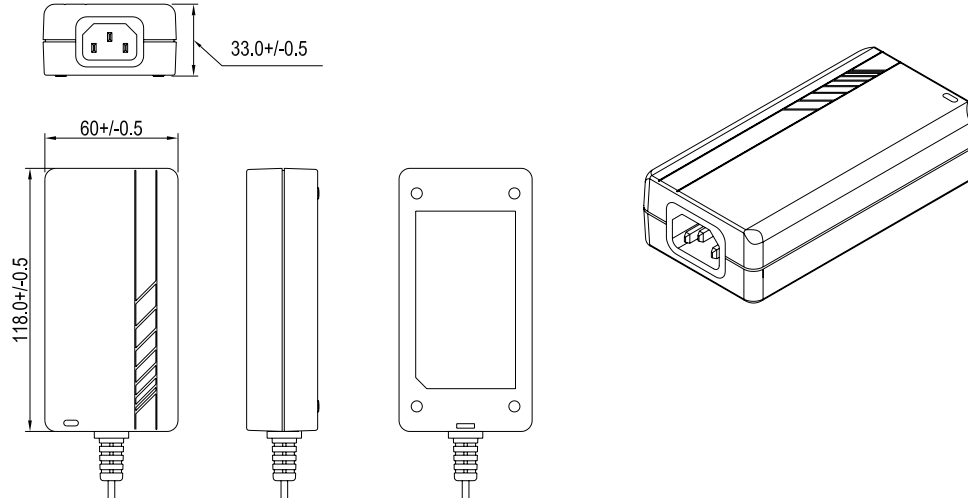
2. MECHANICAL SPECIFICATION

ENCLOSURE:

UPPER HOUSING: HIGH IMPACT PLASTIC, 94V0 POLYCARBONATE, NON-VENTED, COLOR BLACK

LOWER HOUSING: HIGH IMPACT PLASTIC 94V0 POLYCARBONATE, NON- VENTED, COLOR BLACK

SIZE: 118 x 60 x 33 ± 0.5 mm



3. INPUT AND OUTPUT CONNECTION

INPUT :

IEC320 / C14, AC POWER INLET WITH 3 MALE PRONGS

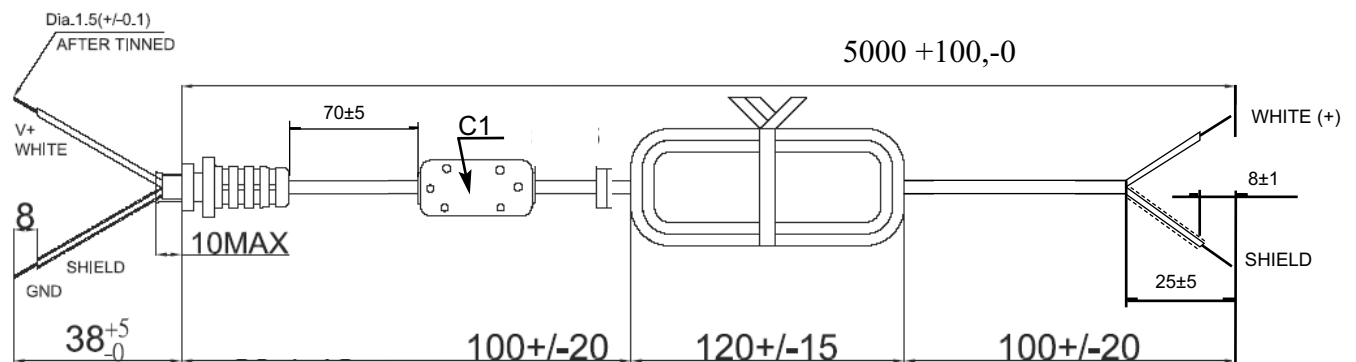
OUTPUT CORD :

1 CONDUCTOR+SHIELD , 18 AWG STRANDED WIRE, ROUND UL 1185 CORD TYPE, COLOR BLACK, LENGTH (L) OF CORD: 5000 +100,-0 mm. CORD IS MEASURED FROM THE HOUSING TO THE END OF OVERMOLD OF THE CONNECTOR. CABLE IS TO BE MARKED WITH WIRE GAUGE, AND ALL APPLICABLE RATING AND SAFETY APPROVALS.

CABLE HAS FERRITE BEAD C14 (14.2 x 28.5 x 8 mm).

OUTPUT CONNECTOR:

SPLIT 25 ± 5 mm, STRIPPED AND TINNED 8 ± 1 mm



GlobTek, Inc.
www.globtek.com

186 Veterans Dr. Northvale, NJ 07647
Tel. 201-784-1000 Fax 201.784.0111

DWG TITLE: SWITCHER, 30WATT, 12V@ 2.5A SINGLE OUTPUT, DESKTOP
UNIVERSAL INPUT, ITE, CLASS II FE

MODEL NO: GT-21097-5012

REV.
C

PART NO: TR9CE2500A00YRG2181

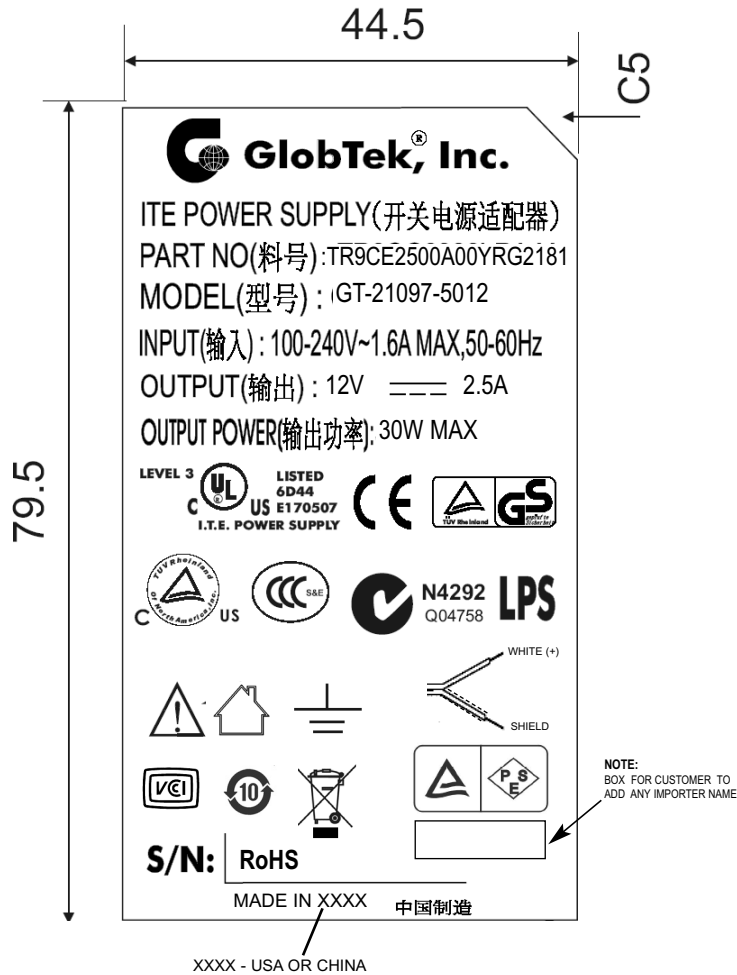
SHEET 2 OF 5

PROPRIETARY INFORMATION:

PROPRIETARY OF GLOBTEK, INC. ANY REPRODUCTION, DISCLOSURE OR USE OF THIS DRAWING, IN WHOLE OR IN PART, IS HEREBY PROHIBITED EXCEPT AS SPECIFIED IN WRITING BY GLOBTEK, INC.

4. LABEL:

MATERIAL: .007 (0.18) THICK FLAT THERMAL TRANSFER, IMPRINTABLE, BLACK POLYESTER SHEET WITH WHITE NOMENCLATURE.
 MANUFACTURER: STEVEN LABEL, MATERIAL I.D. NO.3302-33, UL FILE NO. MH12821(N), UL MATERIAL DESIGNATION FILE NO. GHW332RL. OPTIONAL LABEL MATERIAL CAN BE SUBSTITUTED PROVIDING MATERIAL IS UL LISTED AND COMPLIES WITH APPLICABLE SAFETY REQUIREMENTS.



XXXX - USA OR CHINA

ACTUAL POSITIONING OF SYMBOLS AND TEXT IS SUBJECT TO CHANGE AT TIME OF MANUFACTURE



→ AVAILABLE UPON REQUEST



→ CAUTION: FOR INDOOR USE ONLY
 ATTENTION: POUR UTILISATION A L'INTERUR SEULAMENT

GlobTek, Inc. www.globtek.com		186 Veterans Dr. Northvale, NJ 07647 Tel. 201-784-1000 Fax 201.784.0111
DWG TITLE: SWITCHER, 30WATT, 12V@ 2.5A SINGLE OUTPUT, DESKTOP UNIVERSAL INPUT, ITE, CLASS II FE		
MODEL NO:	GT-21097-5012	REV. C
PART NO:	TR9CE2500A00YRG2181	SHEET 3 OF 5

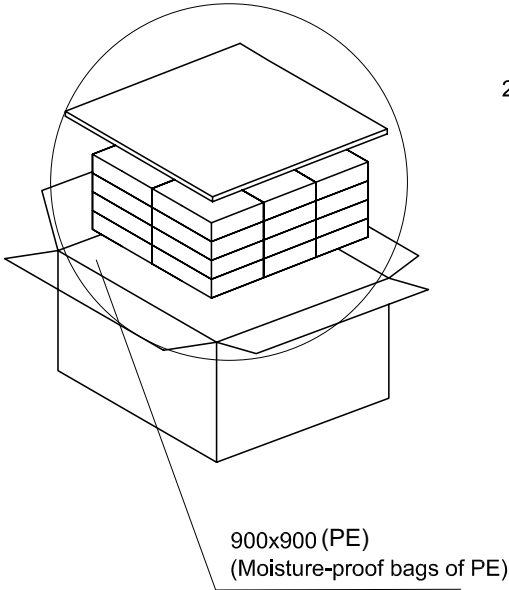
PROPRIETARY INFORMATION:

PROPRIETARY OF GLOBTEK, INC. ANY REPRODUCTION, DISCLOSURE OR USE OF THIS DRAWING, IN WHOLE OR IN PART, IS HEREBY PROHIBITED EXCEPT AS SPECIFIED IN WRITING BY GLOBTEK, INC.

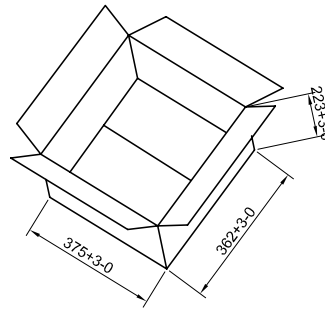
6. INDIVIDUAL PACKING BOX:

MATERIAL: CORRUGATED FIBERBOARD, F-FLUTE 0.8 (2.0) THICK, DOUBLE WALL CONSTRUCTION.

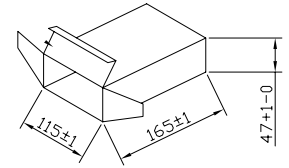
EXTERNAL FINISH: WHITE, COATED WITH GLOSS FINISH (AQUEOUS OR VARNISH) **STYLE:** TUCK SIDES WITH LOCKING TABS ON BOTH SIDES OF BOX. NO PRINTING ON THE OUTSIDE OF BOX.



24 PCS/CARTON

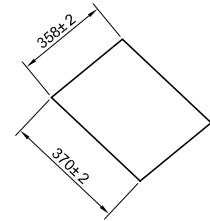


OUTSIDE CARTON



GIFT BOX

115(L)X47(W)X165(H)



PARTITION
440X400X4

GlobTek, Inc.
www.globtek.com

186 Veterans Dr. Northvale, NJ 07647
Tel. 201-784-1000 Fax 201.784.0111

DWG TITLE: SWITCHER, 30WATT, 12V@ 2.5A SINGLE OUTPUT, DESKTOP
UNIVERSAL INPUT, ITE, CLASS II FE

MODEL NO: GT-21097-5012

REV.
C

PART NO: **TR9CE2500A00YRG2181**

SHEET 4 OF 5

PROPRIETARY INFORMATION:

PROPRIETARY OF GLOBTEK, INC. ANY REPRODUCTION, DISCLOSURE OR USE OF THIS DRAWING, IN WHOLE OR IN PART, IS HEREBY PROHIBITED EXCEPT AS SPECIFIED IN WRITING BY GLOBTEK, INC.

China RoHS SELF DISCLOSURE TABLE

有毒有害物质或元素名称及含量标准形式 Name and concentration of hazardous substance or element in product						
零件名 Name of part	剧毒有害物质或元素 Hazardous substance or element					
	铅 Pb	汞 Hg	镉 Cd	六价铬 Cr(VI)	多溴联苯 PBB	多溴二苯醚 PBDE
输出线材料 DC CABLE	X	O	O	O	O	O
输入插座 AC SOCKET	X	O	O	O	O	O
二极管 SMD ZENER	X	O	O	O	O	O

O: 表示该有毒有害物质在这部件中所有同质材料中的含量均在SJ/T 11363-2006规定的限量要求以下。
O: refers to the concentration of this hazard substance in the all homogenous materials in this part is below the concentration limit as stipulated in the standard SJ/T 11363-2006.

X: 表示该有毒有害物质至少在这部件中的某一同质材料中的含量超出 SJ/T 11363-2006规定的限量要求。
X: refers to the concentration of this hazard substance at least in a homogenous material is higher than the concentration limit as stipulated in the standard SJ/T 11363-2006.

 GlobTek, Inc. www.globtek.com	186 Veterans Dr. Northvale, NJ 07647 Tel. 201-784-1000 Fax 201.784.0111	
	DWG TITLE: SWITCHER, 30WATT, 12V@ 2.5A SINGLE OUTPUT, DESKTOP UNIVERSAL INPUT, ITE, CLASS II FE	
MODEL NO: GT-21097-5012	REV. C	
PART NO: TR9CE2500A00YRG2181	SHEET 5 OF 5	