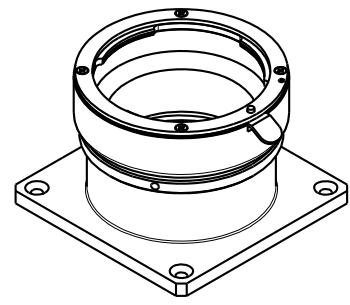
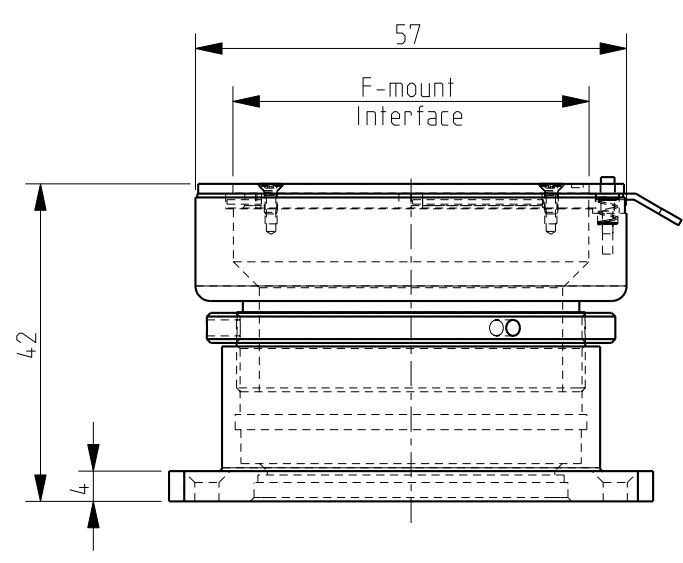
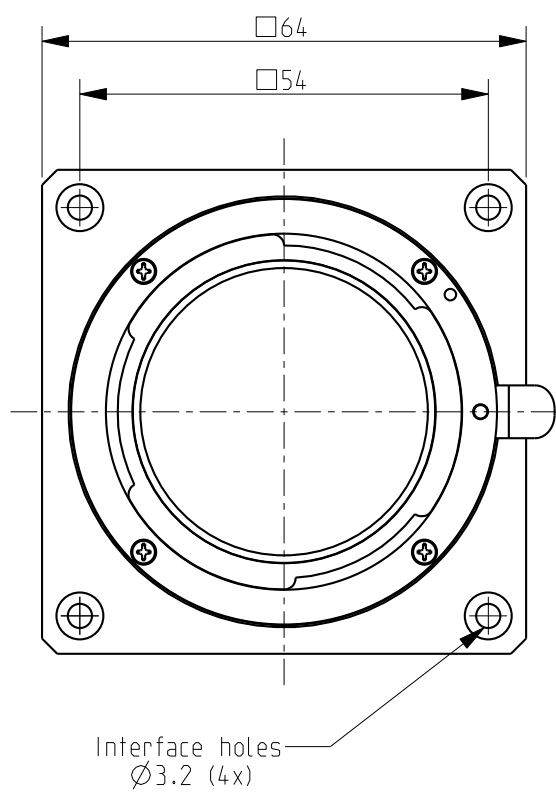


This sheet is property of ADIMEC. Reproduction, utilization or disclosure to third parties in any form whatsoever is not allowed without written consent of the proprietors.

ASSY-LENSMOUNT-FN-INST-ST54  
 AIS-A3-P-SKT Revision 1.0

Copyright ADIMEC Advanced Image Systems B.V.



SCALE 0.500

\* Use 3D STEP-file for dimensions that are not shown on this drawing.  
 \* See tolerance for general deviation from nominal 3D STEP-file.  
 \* Dimensions on drawing are applicable after surface treatment(s).

Rev.	Changed by	Description	Zone	Date

Drawn by <b>M. de Jong</b>	Sign	Reviewer	Date	Sign	Reviewer	Date	Sign	PM	Date	Sign
Project -	Number 173460-110-20190218			Draft date						
Title LENSMOUNT-Fn-54-ADJ		Tolerance unless otherwise specified Dim. $\pm 0.1$ Angle $\pm 1^\circ$ Radi $\pm 0.3$				Shape & position tolerances according to n.a.				
Company <b>Adimec</b>		Material Aluminium		Roughness according to n.a.		Sheet 1 / 1		Units unless otherwise specified mm		
Treatment Optical matt black		Roughness according to n.a.		Scale 1.000		Projection 		Size <b>A4</b>		
3		2				1				