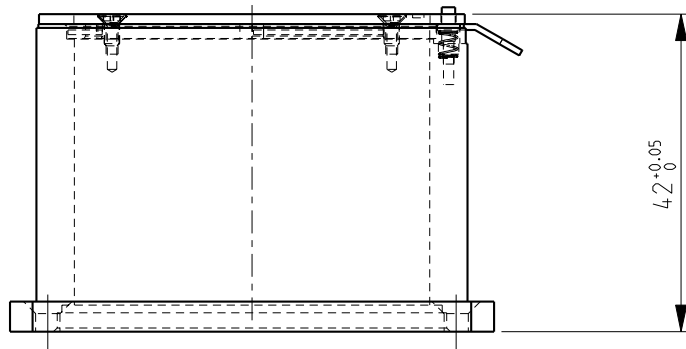
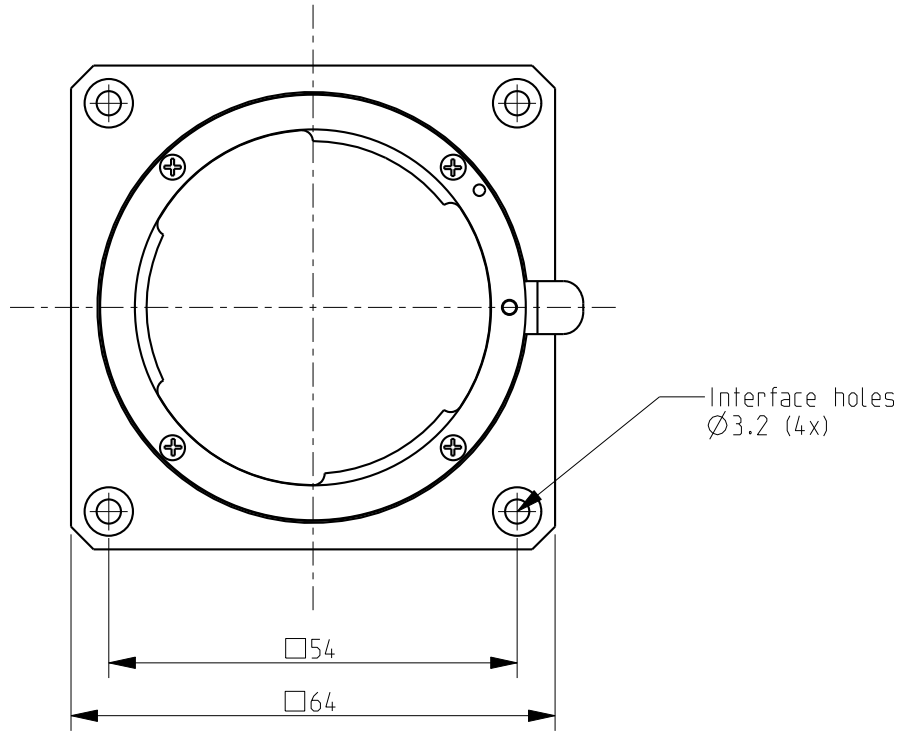


CONFIDENTIAL



For info only

Drawn by M. de Jong	Sign	Reviewer	Date	Sign	Reviewer	Date	Sign	PM	Date	Sign	
Project Z01	Number 185480-110-20170123				Draft date n.a.						
Title LENSMOUNT-Fn-FIX-ST54		Tolerance unless otherwise specified n.a.				Shape & position tolerances according to n.a.					
		Material				Roughness according to Ra = 1.6					
Company Adimec		Treatment				Units unless otherwise specified mm			Scale 1.000		
						Projection			Size A4		

This sheet is property of ADIMEC. Reproduction, utilization or disclosure to third parties in any form whatsoever is not allowed without written consent of the proprietors.
 F-MOUNT-FIX-ST54
 AIS-A3-P-SKT Revision 1.0
 CONFIDENTIAL INFORMATION
 Copyright ADIMEC Advanced Image Systems B.V.