



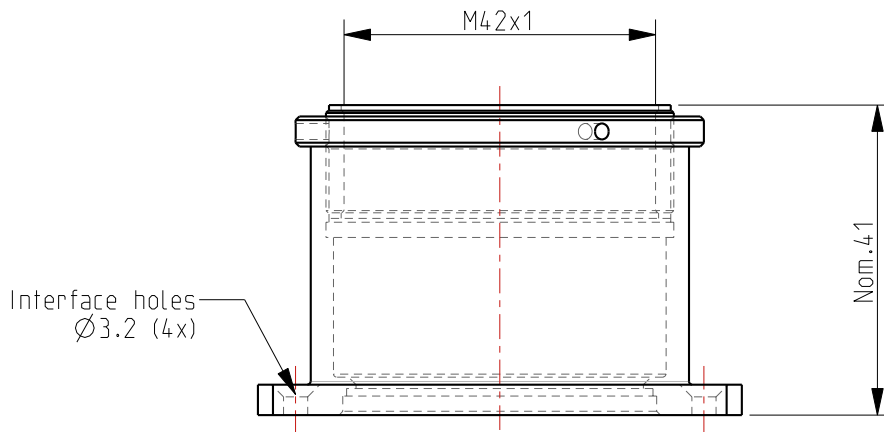
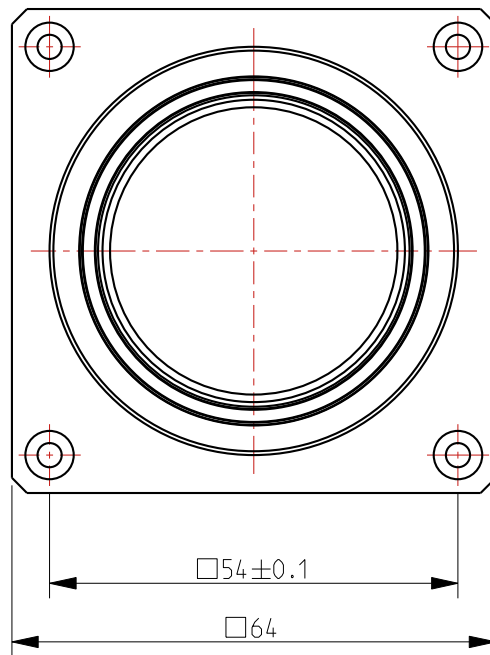
This sheet is property of ADIMEC. Reproduction, utilization or disclosure to third parties in any form whatsoever is not allowed without written consent of the proprietors



AIS-A3-P-SKT Revision 1.0



Copyright ADIMEC Advanced Image Systems B.V.



For info only

Drawn by M.Aarts	Sign	Reviewer	Date	Sign	Reviewer	Date	Sign	PM	Date	Sign	
Project Z01	Number 1724-30-110-20101108					Draft date n.a.					
Title LENSMOUNT-M42-ST54		Tolerance unless otherwise specified n.a.					Shape & position tolerances according to n.a.				
		Material					Roughness according to Ra = 1.6				
Company Adimec		Treatment					Units unless otherwise specified mm		Scale 1.000		
							Projection 		Size A4		