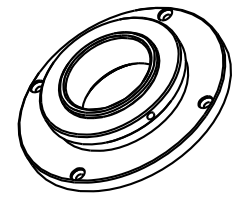
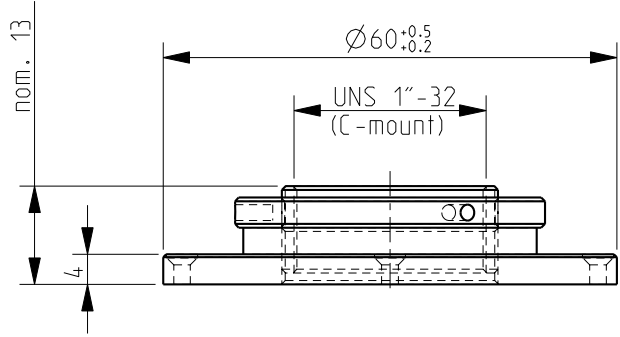
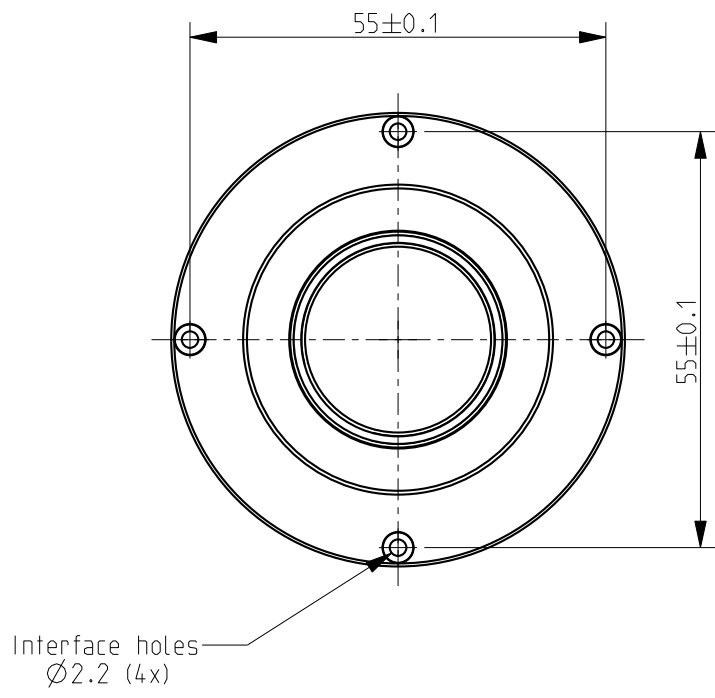


This sheet is property of ADIMEC. Reproduction, utilization or disclosure to third parties in any form whatsoever is not allowed without written consent of the proprietors

ASSY-EM-BIA
AIS-A3-P-SKT Revision 1.0

Copyright ADIMEC Advanced Image Systems B.V.



SCALE 0.500

* Use 3D STEP-file for dimensions that are not shown on this drawing.
* See tolerance for general deviation from nominal 3D STEP-file.
* Dimensions on drawing are applicable after surface treatment(s).

Drawn by M. de Jong	Sign	Reviewer	Date	Sign	Reviewer	Date	Sign	PM	Date	Sign
Project BIA	Number 158410-110-20190218					Draft date				
Title LENSMOUNT-C-55			Tolerance unless otherwise specified Dim. ±0.1 Angle ±0.1° Radi ±0.3				Shape & position tolerances according to n.a.			
Company Adimec			Material Aluminium				Roughness according to n.a.		Sheet 1/1	
Treatment Optical Matt black			Units unless otherwise specified mm				Scale 1.000		Projection 	
3			2				1			
							Size A4			

Rev.	Changed by	Description	Zone	Date

E
D
C
B
A