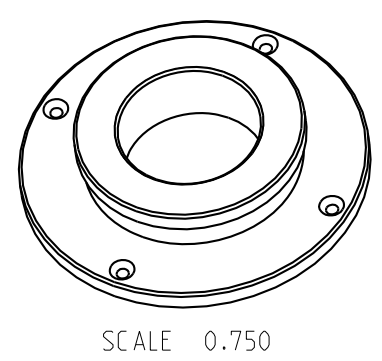
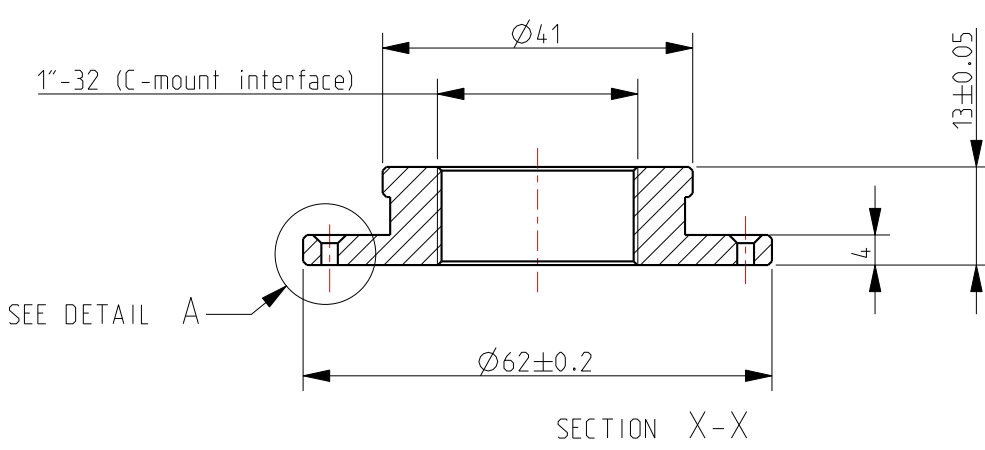
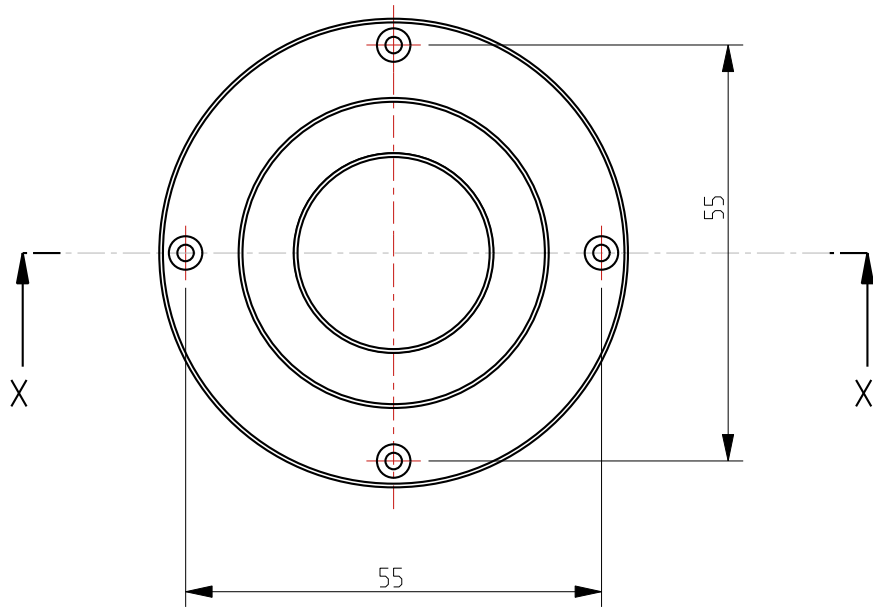


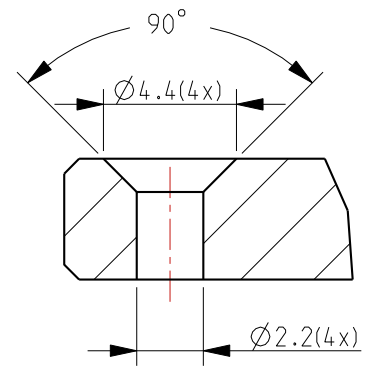
This sheet is property of ADIMEC. Reproduction, utilization or disclosure to third parties in any form what soever is not allowed without written consent of the proprietors

AIS-A3-P-SKT Revision 1.0

CONFIDENTIAL INFORMATION
Copyright ADIMEC Advanced Image Systems B.V.



DETAIL A
SCALE 4.000



Drawn by T.Ceelen	Sign X	Reviewer M.Aarts	Sign X	Date	Reviewer	Date	Sign	PM -	Date	Sign	
Project -		Number 184870				Draft date					
Title Lensmount-c-st55-fixed		Tolerance unless otherwise specified -				Shape & position tolerances according to n.a.					
		Material n.a.				Roughness according to n.a.					
Company Adimec		Treatment Optical matt black				Units unless otherwise specified mm		Scale 1.000		Projection 	
						Size A4					