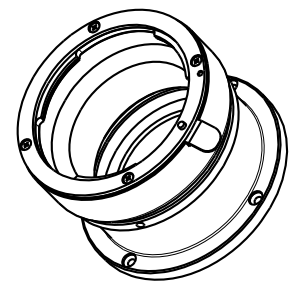
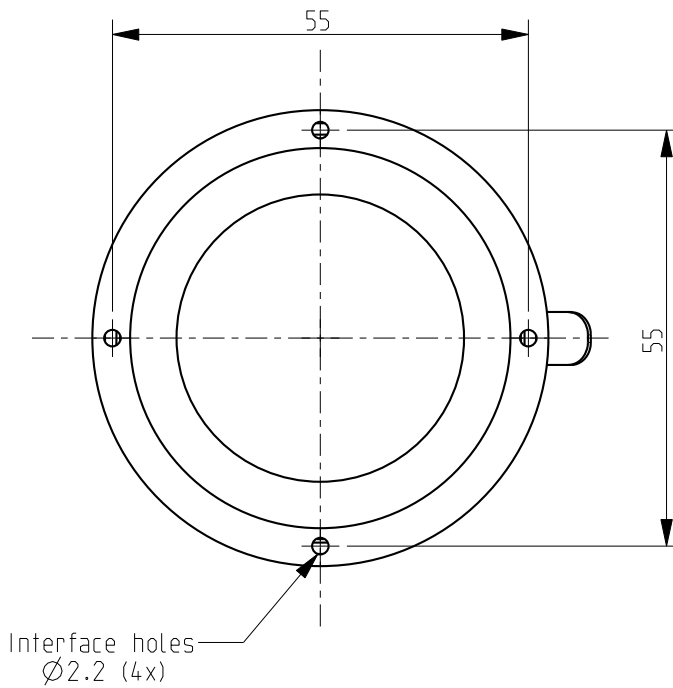
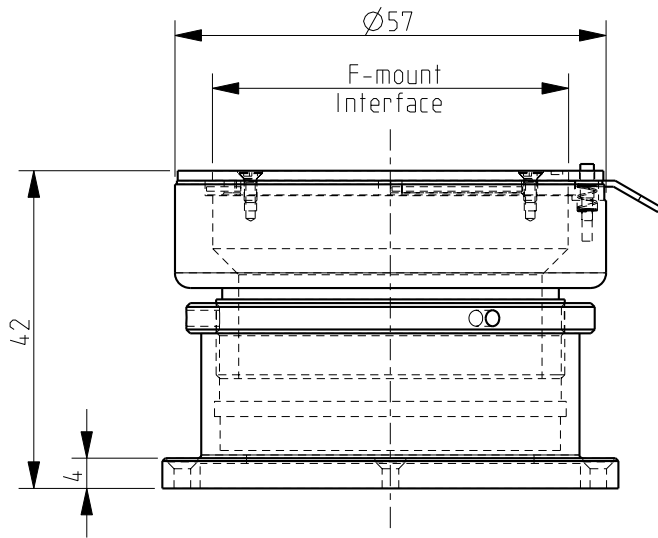


This sheet is property of ADIMEC. Reproduction, utilization or disclosure to third parties in any form what soever is not allowed without written consent of the proprietors
 FN-ADAPTOR-INST
 AIS-A3-P-SKT Revision 1.0
 Copyright ADIMEC Advanced Image Systems B.V.



SCALE 0.500

* Use 3D STEP-file for dimensions that are not shown on this drawing.
 * See tolerance for general deviation from nominal 3D STEP-file.
 * Dimensions on drawing are applicable after surface treatment(s).

Rev.	Changed by	Description	Zone	Date

Drawn by M. de Jong	Sign	Reviewer	Date	Sign	Reviewer	Date	Sign	PM	Date	Sign
Project BIA	Number 185430-110-20190218			Draft date						
Title LENSMOUNT-Fn-55-ADJ		Tolerance unless otherwise specified Dim. ±0.1 Angle ±1° Radi ±0.3				Shape & position tolerances according to n.a.				
Company Adimec		Material Aluminium		Roughness according to n.a.		Sheet 1 / 1		Units unless otherwise specified mm		Scale 1.000
Treatment Optical matt black		Projection 		Size A4						

A B C D E