

production, utilization
by form what soever is not
the proprietors

This sheet is property of ADIMEC. Re
or disclosure to third parties in an
allowed without written consent of t

053511a

AIS-A3-P-SKT Revision 1.0

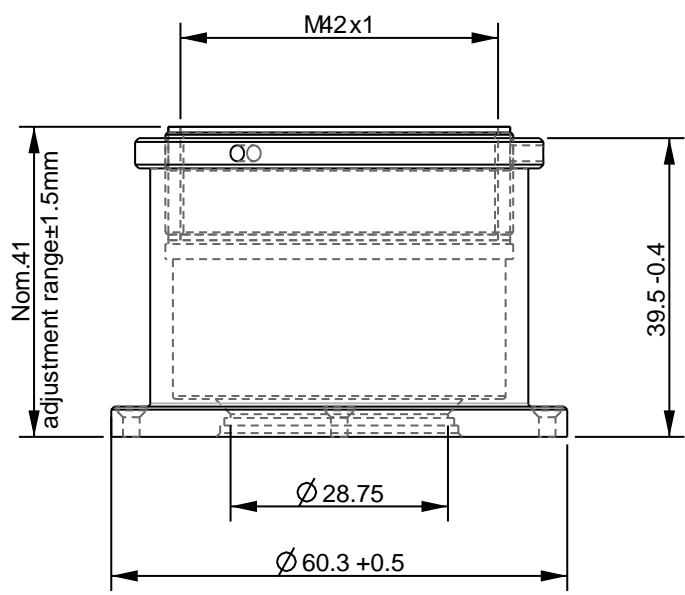
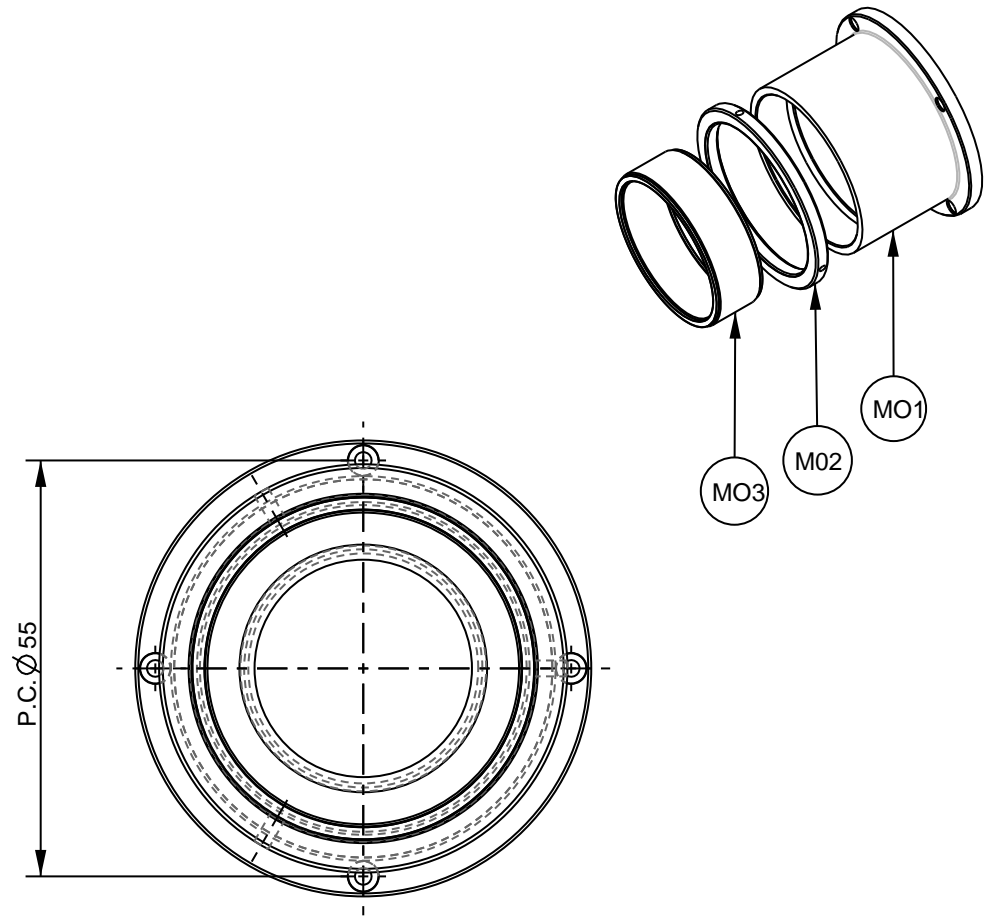
ems B.V.

Copyright ADIMEC Advanced Image Syst

053511a

053511a

053511a



Drawn by T.Ceelen	Date	Sign X	PRE MiA	Date 20101118	Sign X	PM	Date	Sign	Sales	Date --	Sign
----------------------	------	-----------	------------	------------------	-----------	----	------	------	-------	------------	------

Roughness according to Ra 1.0		Dimensions according to ±0.1		Shape & position tolerance according to							
Title LENSMOUNT-M42-ST55		Number 173710-112-20101116		Project Z01							
Company Adimec		Treatment		Units MM		Scale 1.000					
				Projection				Size A4			