



production, utilization
by form what soever is not
the proprietors



This sheet is property of ADIMEC. Re
or disclosure to third parties in an
allowed without written consent of t



053512a
ems B.V.

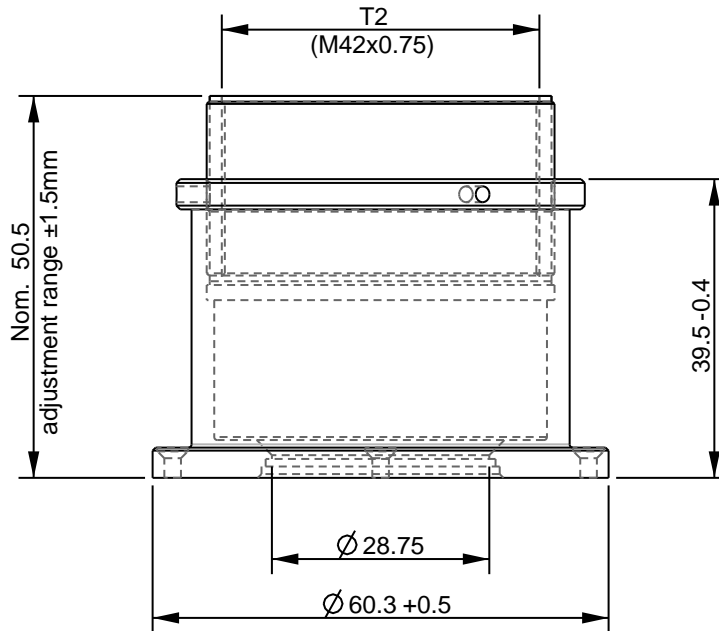
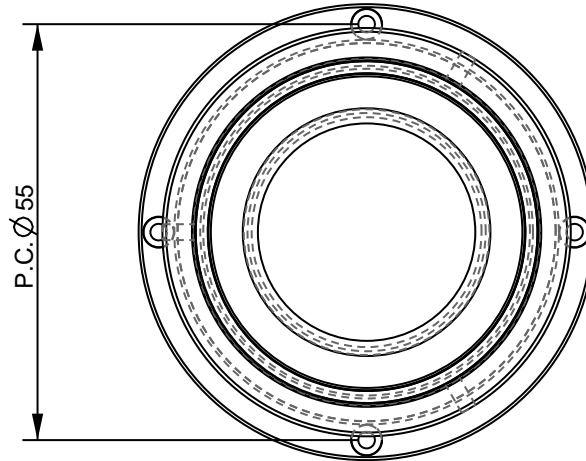
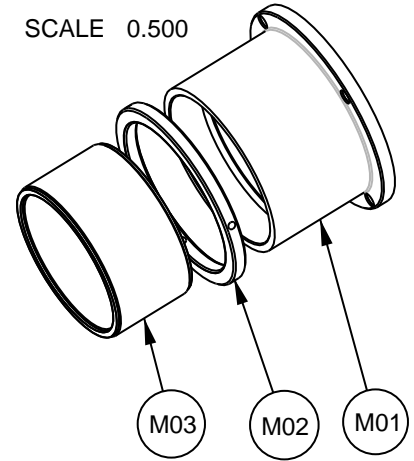
AIS-A3-P-SKT Revision 1.0



Copyright ADIMEC Advanced Image Syst



SCALE 0.500



Drawn by T.Ceelen	Date	Sign X	PRE MiA	Date 20101118	Sign X	PM	Date	Sign	Sales	Date --	Sign
Roughness according to Ra 1.0			Dimensions according to ±0.1				Shape & position tolerance according to				
Title LENSMOUNT-T2-ST55			Number 173720-112-20101116				Project Z01				
Company Adimec			Treatment				Units MM		Scale 1.000		
							Projection 		Size A4		