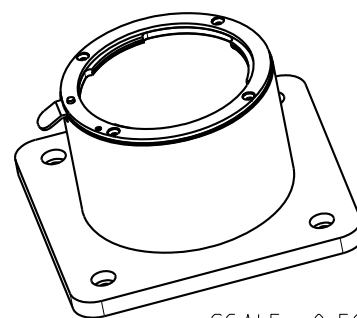
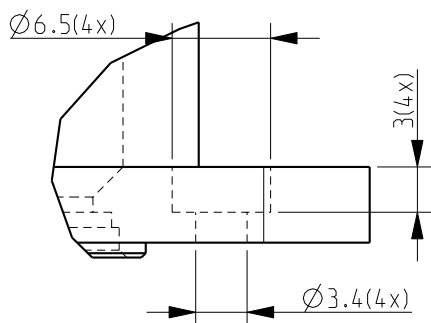
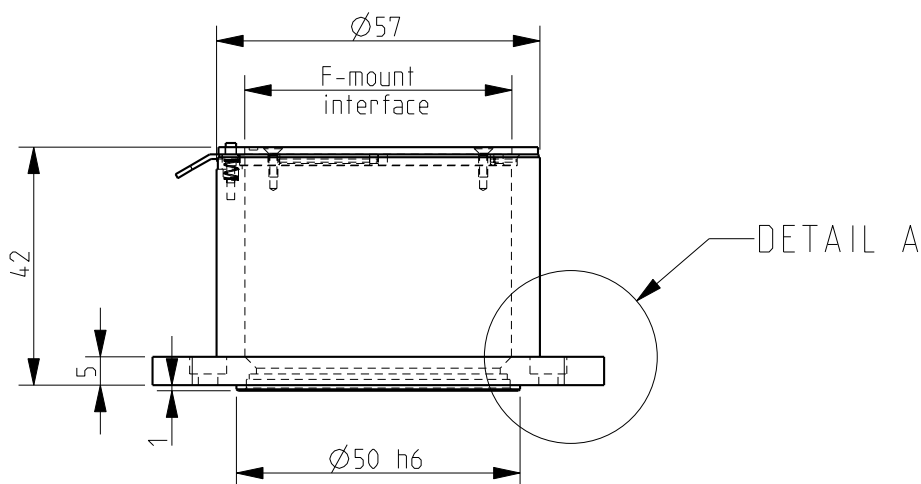
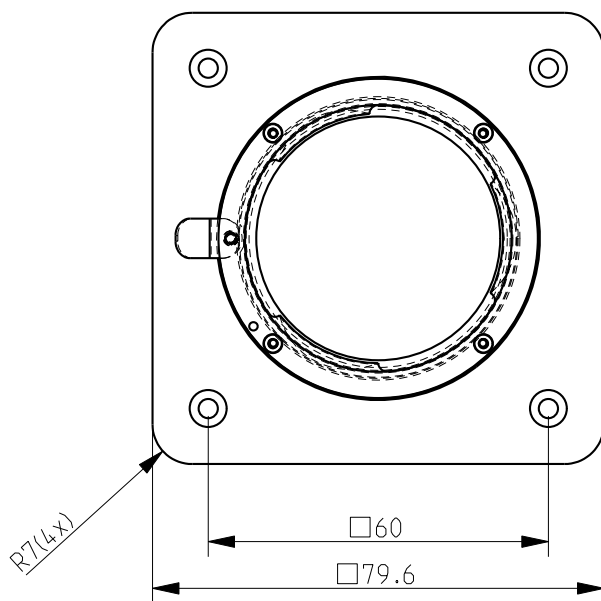


CONFIDENTIAL



SCALE 0.500

Use 3D STEP-file for dimensions that are not shown on this drawing.
See tolerance for general deviation from nominal 3D STEP-file

Drawn by M.Aarts	Sign	Reviewer	Date	Sign	Reviewer	Date	Sign	PM	Date	Sign
Project ME1	Number 187490-110-20161104					Draft date				
Title LENSMOUNT-Fn-60-FIXED		Tolerance unless otherwise specified Dim. ±0.1 Angle ±1° Radi ±0.3			Shape & position tolerances according to n.a.					
		Material Aluminium			Roughness according to n.a.					
Company Adimec		Treatment Optical matt black			Units unless otherwise specified mm			Scale 0.750		
					Projection 			Size A4		

This sheet is property of ADIMEC. Reproduction, utilization or disclosure to third parties in any form what soever is not allowed without written consent of the proprietors
 LENS MOUNT-FN-ST60
 AIS-A3-P-SKT Revision 1.0
 CONFIDENTIAL INFORMATION
 Copyright ADIMEC Advanced Image Systems B.V.